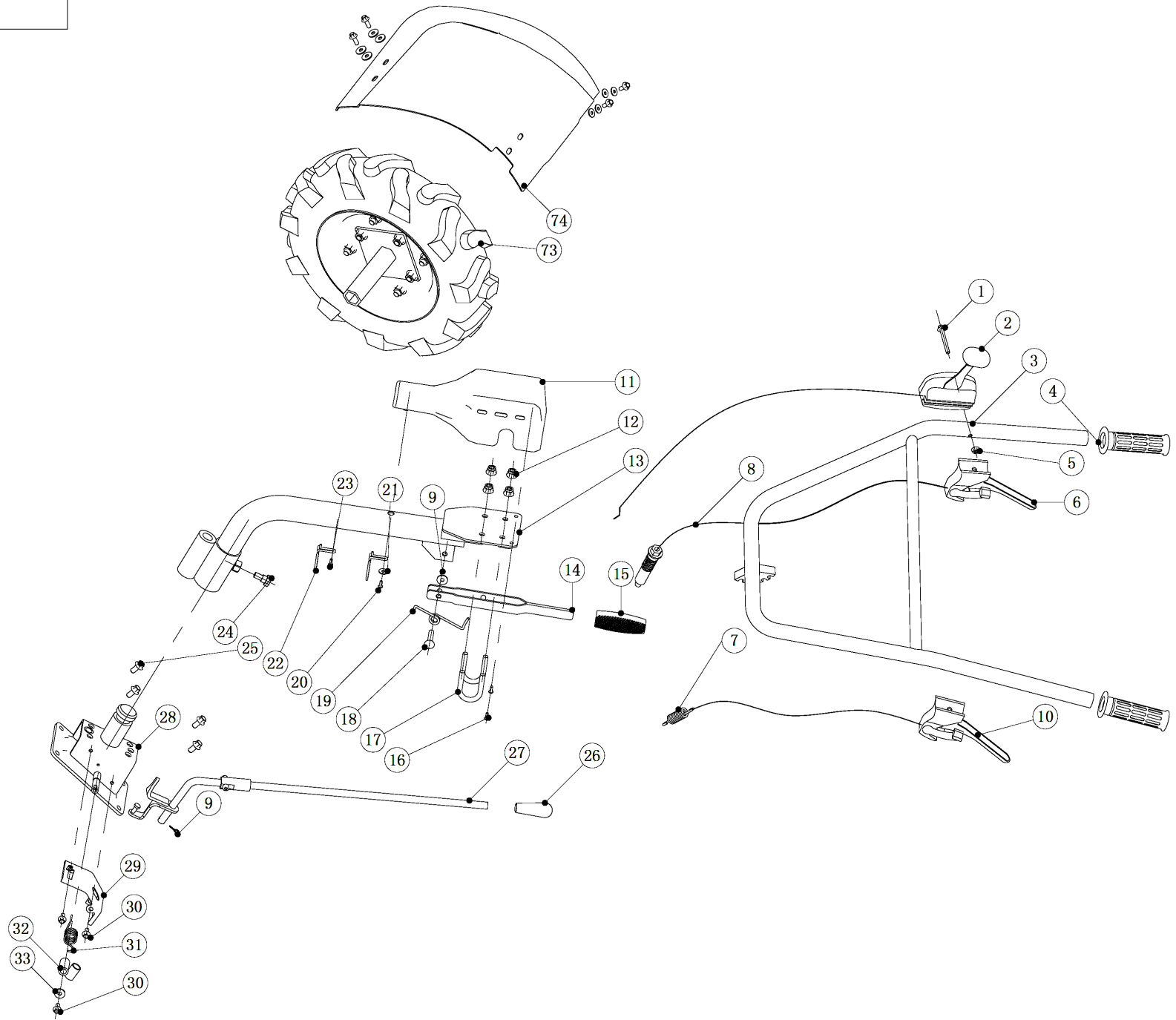
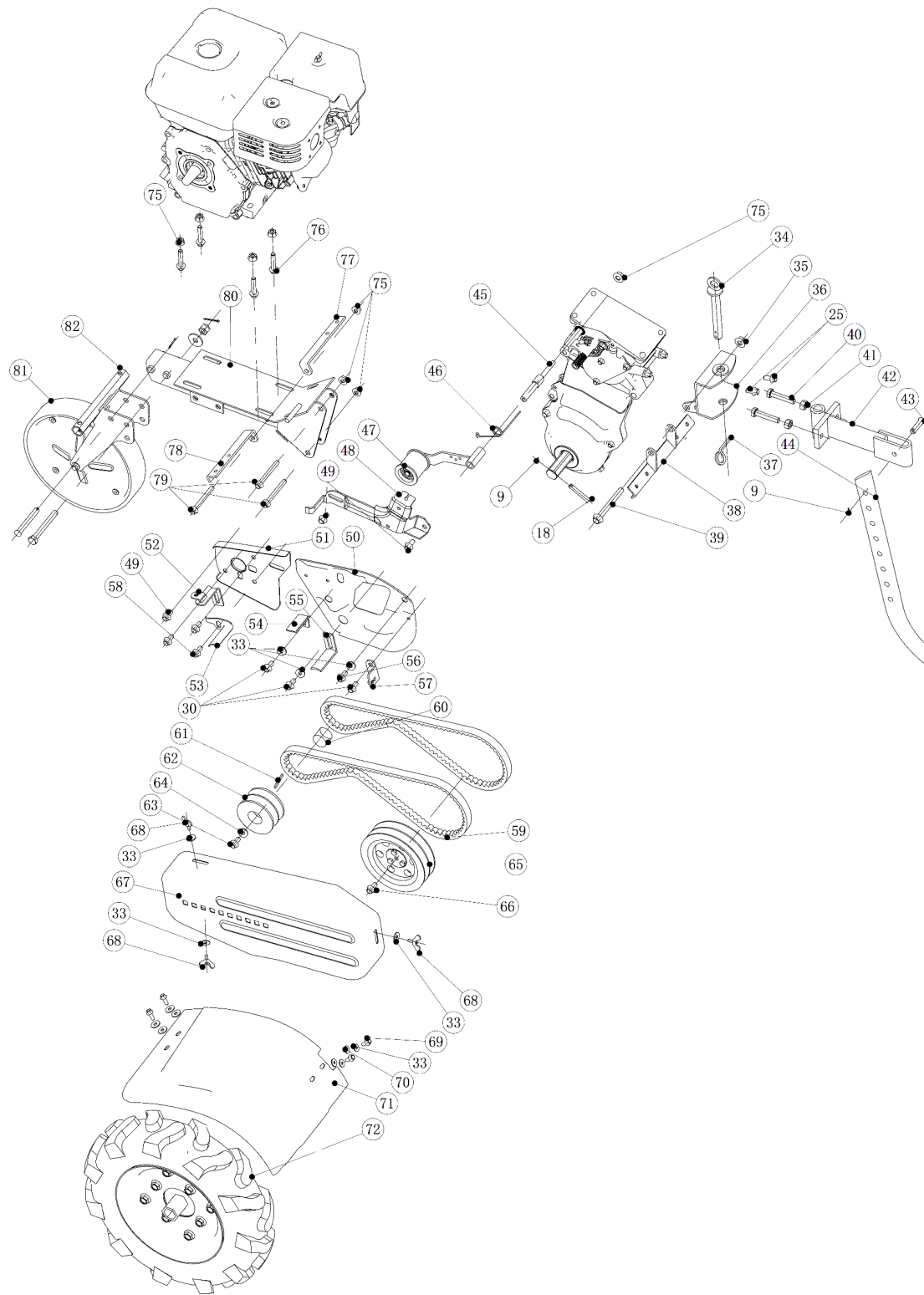


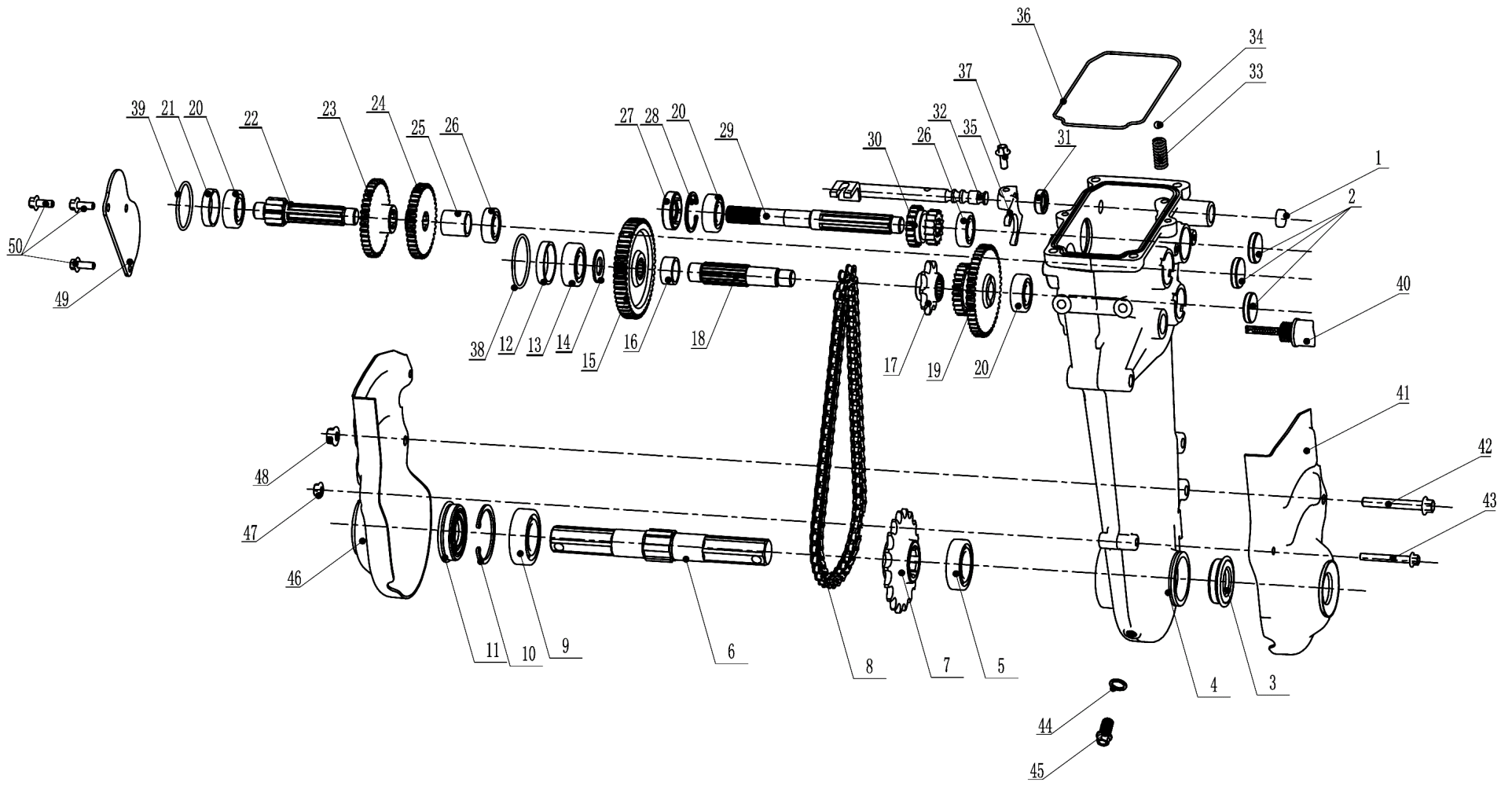
AGT6500





	Part No	Description	Qty
1	GBT16674060650170	Bolt M6×65	1
2	502200271805	Throttle lever	1
3	502211005409	Handle	1
4	502200704104	Rubber sleeve of handle	2
5	GB6177060000170	Nut M6	1
6	505200021803	Handle for rotary adjusting	1
7	502201357501	Tensioned spring	1
8	502202580001	Rotary cable	1
9	505201437502	B type pin φ2	5
10	502200021806	Clutch handle	1
11	502202014001	Cover of handle	1
12	GB6183080000270	Hexagonal flange locking nut M8	4
13	502201441901	Middle part of handle	1
14	502201244103	Adjustable handle for up and down	1
15	505201454001	Small rubber sleeve of adjustable handle	1
16	GBT845050120970	Cross recessed head tapping screws ST5×12	2
17	FB0001080000275	U type bolts M8	2
18	501200217504	Pin shaft φ8×40	3
19	502202567501	Lifting torsion spring	1
20	GBT845050200970	Cross recessed head tapping screws ST5×20	1
21	GB97050901070	Washer φ5×φ9×1	1
22	502200477501	Clip ring	2
23	GB5789050120670	Bolt M5×12	1
24	502402420001	Locking bolt	1
25	GB5787080200270	Bolt M8×20	6
26	508202344104	Rubber sleeve of gear shift lever	1
27	502202307506	Gear shift lever	1
28	502201161905	Handle seat	1
29	502201235403	Gear indicating plate	1
30	GBT16674060140170	Bolt M6×14	6
31	502202577501	Gear torsion spring	1
32	502202557501	Cross pin tube	1
33	GB96060182070	Washer Φ6×Φ18×2	15
34	502201177501	Big pin φ3.5×φ16×125	1
35	GB6177100000370	Nut M10	1
36	502201184101	Hinge box	1
37	505201437501	B type pin φ3	1
38	502414004102	Back support of fender	1
39	GBT16674100900370	Bolt M10×90	1
40	GB5782100500570	Hexagon head bolt M10×50	2
41	GB6170100000270	Hexagon head nut M10	2

42	501200774101	Connect part	1
43	501200217503	Pin shaft ϕ 10×40	1
44	505202214101	Resistance blade	1
45	502201347501	Core shaft of tension pulley	1
46	502201260001	Tension torsion spring	1
47	502201364001	Tension pulley	1
48	502201337501	Support of tension cable	1
49	GBT16674080160270	Bolt M8×16	4
50	502201485102	Driven baseplate	1
51	502201255102	Active baseplate	1
52	502201207501	Tensioning block/A	1
53	502201207503	Tensioning block/B	1
54	502201207504	Tensioning block/C	1
55	502201207505	Tensioning block/D	1
56	GBT16674060100170	Bolt M6×10	1
57	502201307502	Support of belt cover	1
58	GBT16674080120270	Bolt M8×12	2
59	501201214103	Belt 889	2
60	501100207502	Bush Φ 19.8× Φ 25×17	1
61	101400867026	Flat key 4.78×4.78×38	1
62	502201275102	Active pulley	1
63	FB0001A10252470	Bolt 5/16-24-25	1
64	GB97080243070	Washer ϕ 8× ϕ 24×3	2
65	502201285101	Driven pulley	1
66	GBT16674080250270	Bolt M8×25	1
67	502401551902	Belt cover	1
68	FB0001060120270	Butterfly bolt M6×12	3
69	GBT16674060160170	Bolt M6×16	8
70	505402110003	Rubber washer Φ 6× Φ 18×2	8
71	502201495403	Fender/left	1
72	501412005401	Wheel assy./left	1
73	501412005408	Wheel assy./right	1
74	502201495404	Fender/right	1
75	GB6177080000270	Nut M8	8
76	GBT16674080400270	Bolt M8×40	4
77	502413004102	Front support of fender/right	1
78	502413004101	Front support of fender/left	1
79	GBT16674080650270	Bolt M8×65	3
80	502201154002	Support of engine	1
81	502401645402	Front wheel	1
82	502401584102	Support of front wheel	1



	Part No	Description	Qty
1	501100420002	Oil Plug $\phi 13 \times \phi 16 \times 5.5$	1
2	501100420001	Oil Plug $\phi 24 \times \phi 28 \times 6.5$	3
3	501100360002	Oil Seal $\phi 25 \times \phi 41 \times 13.5$	1
4	502100010001	Gear Box	1
5	501100440001	Bearing	1
6	502100110001	Driven Sprocket Shaft	1
7	502100260001	Driven Sprocket	1
8	502100300001	Chain	1
9	501100440002	Bearing 6005	1
10	GBT893520000041	Check Ring $\phi 52$	1
11	501100360001	Oil Seal $\phi 25 \times \phi 52 \times 13.5$	1
12	502100204102	Bush $\phi 34.5 \times \phi 39.5 \times 6.5$	1
13	505100440004	Bearing 6203	1
14	502100234101	Backup Plate $\phi 17 \times \phi 27 \times 2$	1
15	502100250001	Driving Gear	1
16	502100204105	Bush $\phi 20.5 \times \phi 25.5 \times 11$	1
17	502100430001	Driving Sprocket	1
18	502100140001	Driving Sprocket Shaft	1
19	502100730001	Reverse Gear Double Gear	1
20	505100440005	Bearing 6202	3
21	502100204103	Bush $\phi 29 \times \phi 34.5 \times 6.5$	1
22	502100130001	Counter Shaft	1
23	502100480001	The 1st Driven Gear	1
24	502100490001	The 2nd Driven Gear	1
25	502102254107	Bush $\phi 18.5 \times \phi 23 \times 23$	1

26	505100440006	Bearing 6002	2
27	502100360001	Oil Seal $\phi 15 \times \phi 40 \times 7$	1
28	GBT893350000041	Circlip $\phi 35$	1
29	502100120002	Main Shaft	1
30	502100160002	Two-throw Gear	1
31	501100360005	Oil Seal $\phi 12 \times \phi 22 \times 6$	1
32	502100327504	Shift Fork Shaft	1
33	502100460001	Spring $\phi 6 \times \phi 0.8 \times 20$	1
34	501102120001	Steel Ball $\phi 6.35$	1
35	502100314101	Shift Fork	1
36	502102280001	Ring	1
37	GB5787060140170	Bolt M6 \times 14	1
38	501100380001	O-Ring $\phi 43.5 \times 2.6$	1
39	501100380002	O-Ring $\phi 39 \times 2.6$	1
40	501100408501	Mobile Oil Plug	1
41	502100087501	Gear Box Left Cover	1
42	GB5787080650270	Bolt M8 \times 65	1
43	GB5787060500170	Bolt M6 \times 50	1
44	501102100001	Washer $\phi 10 \times \phi 15 \times 2$	1
45	GB5787100120270	Bolt M10 \times 12	1
46	502100097501	Gear Box Right Cover	1
47	GB6177060000170	Nut M6	1
48	GB6177080000270	Nut M8	1
49	502100077501	Oil Stopper	1
50	GB5787060120170	Bolt M6 \times 12	3