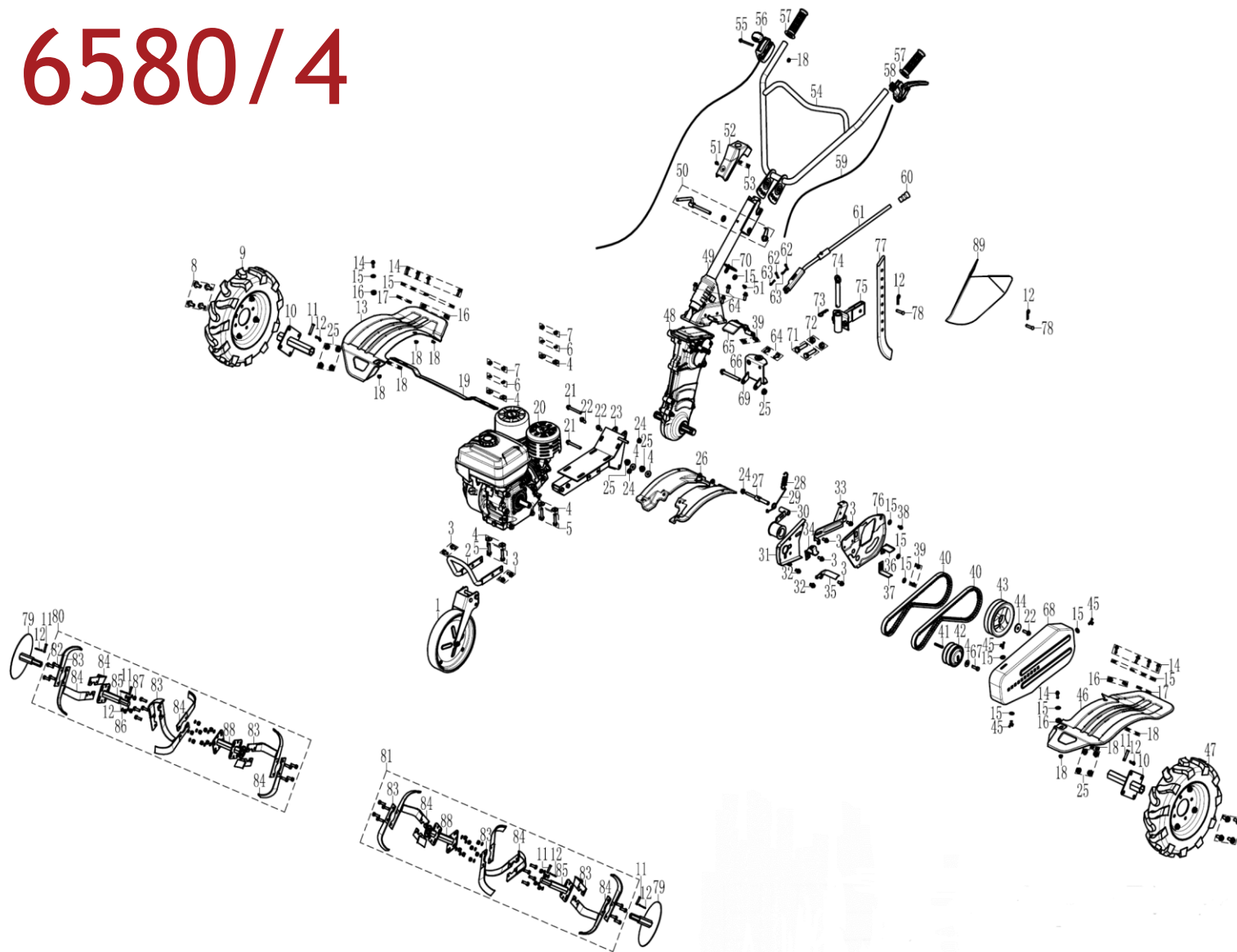


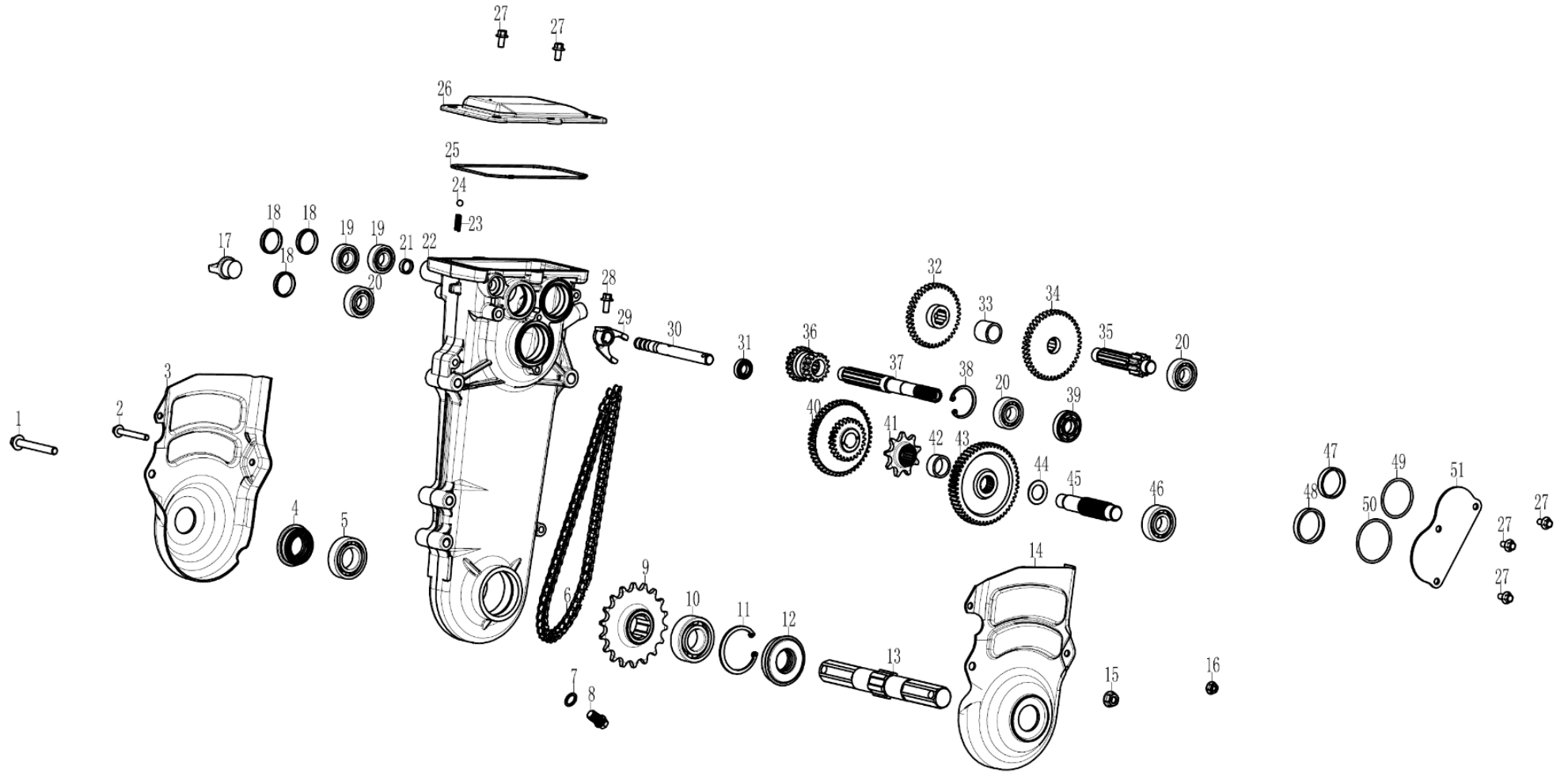
MS 6580/4



MS6580/4 Type Parts List

NO	PART NO	English	QTY	NO	PART NO	English	QTY
1	502201615401	Front Wheel	1	45	FB0001060120270	Butterfly bolt M6*12	3
2	502201624001	Bump	1	46	502402225404	Feder/Right	1
3	GBT16674080160270	Bolt M8×16	8	47	501412005408	400-8 wheel/right	1
4	GB96080243070	Gasket Φ8×Φ24×3	11	48	50201000000A050	Gear box assy	1
5	GBT16674080400270	Bolt M8×40	4	49	502201161901	Handle seat	1
6	GB93080214270	Spring washer φ8	4	50	502201247501	Locking handlebar	1
7	GB6170080000270	Hexagon head nut M8	4	51	GBT16674050120670	Bolt M5×12	2
8	GBT16674100200370	Bolt M10×20	8	52	502201634001	Handle cover	1
9	501412005401	400-8 Wheel/Left	1	53	GBT845050120970	Cross recessed head tapping screws ST5×12	2
10	505401504010	Axle Φ23/400-8	2	54	502211005404	Handlebar	1
11	501200217504	Pin shaft φ8×40	6	55	GBT16674060600170	Bolt M6×60	1
12	505201437502	B type pin φ2	8	56	502200271801	Throttle stay wire	1
13	502402225403	Feder/Left	1	57	502200700002	Handlebar rubber φ22	2
14	GBT16674060200170	Bolt M6×20	10	58	502200021802	Clutch handle	1
15	GB97060181670	Washer Φ6×Φ18×15	17	59	502200290001	Clutch wire	1
16	501401470001	Bush Φ10*Φ68*58 Rubber RingΦ18*Φ12*Φ10*8	6	60	508202344104	Handlebar rubber Φ11	1
17	505402110003	Rubber Ring Φ18×Φ6×2	4	61	502202307501	Gear shift lever	1
18	GB6177060000170	Bolt M6	11	62	501200217501	Pin shaft φ5×25	2
19	502414005101	Back support of fender	1	63	502201437501	B type pin φ15	2
20	11809000114A002	Tiller engine	1	64	GBT16674080200270	Bolt M8×20	7
21	GBT16674080650270	Bolt M8*65	2	65	502201237501	Gear position indication stand	1
22	GBT16674080250270	Bolt M8*25	2	66	GBT16674100900370	Bolt M10×90	1

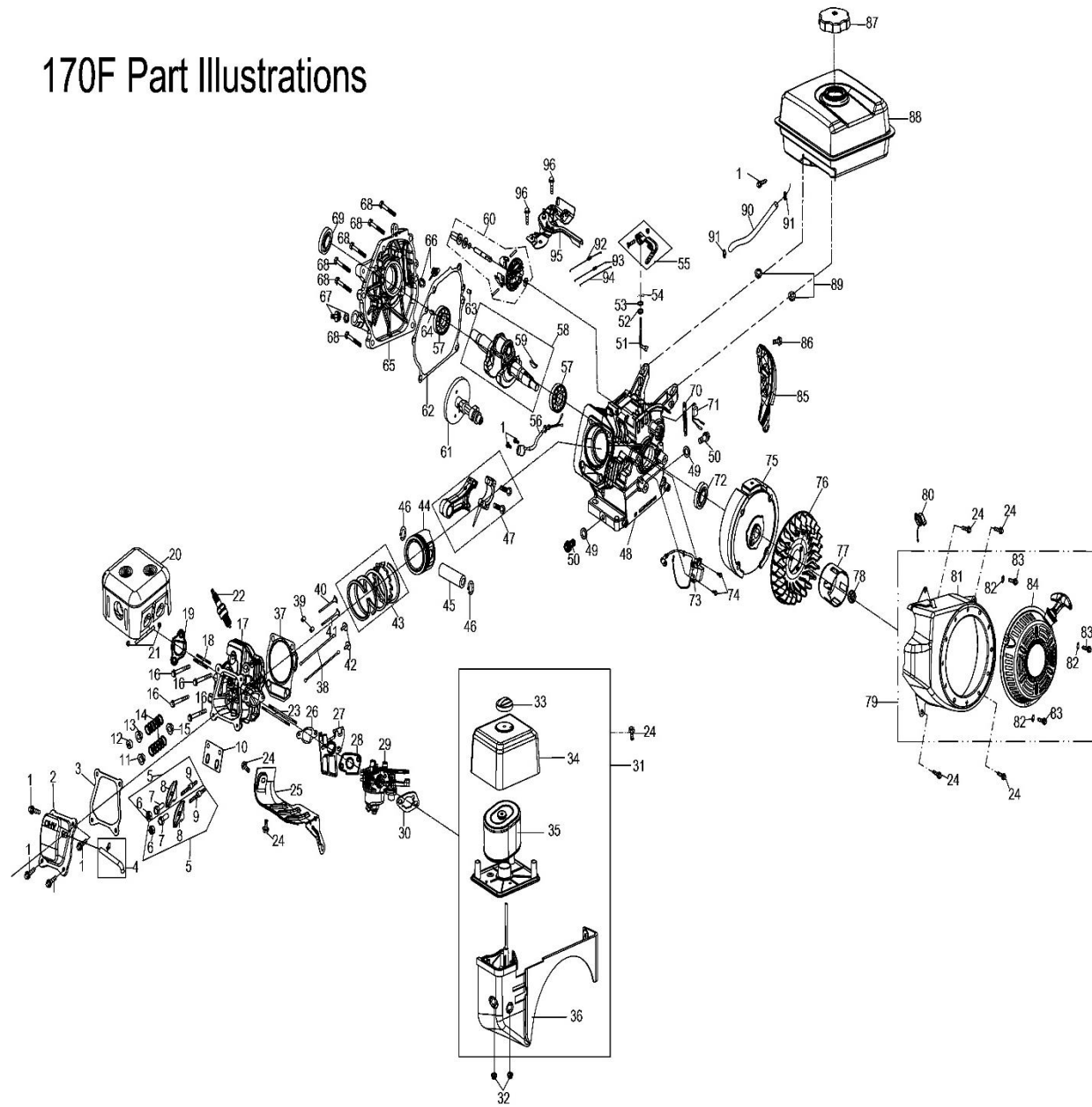
23	502201154001	Engine support	1	67	FB0001A10252470	British bolt 5/16-24×25	1
24	GB6177080000270	Bolt M8	3	68	502401551901	Belt cover	1
25	GB6177100000370	Bolt M10	11	69	502201184001	Trailer of welded componets	1
26	502201495401	Inner fender	1	70	502200477501	Wire ring	1
27	502201347501	Core shaft of tensionerM8×117	1	71	GB5783120500470	Hexagon head bolt M12×50	2
28	502201357501	Tensioner spring	1	72	GB6170120000470	Hexagon head nut M12	2
29	502201260001	Tensioner torsional spring	1	73	505201437501	B pin φ3	1
30	502201364002	Tensioner Jointing	1	74	502201177502	Pin φ35×φ16×120	1
31	502201255101	Driving pulley baseboard	1	75	502200774001	Hinge comp	1
32	GBT16674080120270	Bolt M8×12	2	76	502201485101	Driven pulley baseboard	1
33	502201335101	Support tensioner wire	1	77	505202214001	Deep furrowing resistance part	1
34	502201207501	Tensioner block A	1	78	501200217503	Pin φ10×40	2
35	502201207503	Tensioner block B	1	79	502401954001		2
36	502201207504	Tensioner block C	1	80	502401694027	Blades/right Φ23/4pcs 3group (2+1)	1
37	502201207505	Tensioner block D	1	81	502401694026	Blades/left Φ23/4pcs 3group (2+1)	1
38	GBT16674060100170	Bolt M6×10	1	82	GB5783100300370	Hexagon head bolt M10×30	24
39	GBT16674060140170	Bolt M6×14	4	83	502401684001	Blade/left	12
40	TWZ114-C27-17980	V-Belt 17×940	2	84	502401684002	Blade/right	12
41	101400867013	Key 168/478×478×40、 A type	1	85	502401674014	Blade holder Φ23/+1	2
42	502201275108	Driving pulley φ85	1	86	GB93100265270	Spring Φ10	24
43	502201285105	Driven pulley φ140	1	87	GB6170100000370	Hexagon head bolt M10*15	24
44	GB96080343070	Washer φ8×φ34×3	1	88		Blade holder Φ23	2



MS 6580/4 Gear box parts list

No	Part No	COD ALTERNATIV	Description	Qty	No	Part No	COD ALTERNATIV	Description	Qty
1	GBT16674080650270		Bolts M8×65	1	27	GBT16674060120170		Bolts M6×12	5
2	GBT16674060500170		Bolts M6×50	1	28	GBT16674060140170		Bolts M6×14	1
3	502100085101		Gear box left cover	1	29	502100314101	TWX117-C34-0000	Shift fork	1
4	501100360002	TWX316-C27-0000	Oil seal φ25×φ41×135	1	30	504100327501	TWX118-C34-0100	Shift fork shaft	1
5	501100440001	GB/T276-6005	Bearings 6005	1	31	501100360005		Oil seal φ12×φ22×6	1
6	502100300001		Chain	1	32	502100490001	TWX312-C34-0100	Second gear	1
7	501102100001		Washer φ10×φ15×2	1	33	502102254107		Secondary shaft bushing	1
8	FB0001100100270	91103-KB01-0000	Bolts M10×10×125	1	34	502100480001	TWX311-C27-0000	First gear	1
9	502100260001	TWX113-C27-0000	Driven sprocket	1	35	502100130001	TWX313-C27-0000	Secondary shaft	1
10	501100440002	GB/T276-6205	Bearings 6205	1	36	502100160002	TWX218-C34-0000	Spindle double gear	1
11	GBT893520000041		Retaining rings φ52	1	37	502100120003	TWX219-C27-0000	Principal axis	1
12	501100360001	TWX317-C27-0000	Oil seal φ25×φ52×135	1	38	GBT893350000041		Retaining rings φ35	1
13	502100110001	TWX112-C27-0001	Hexagonal output shaft	1	39	502100360001		Oil seal φ15×φ35×7	1
14	502100095101		Gear box right cover	1	40	502100730001	TWX419-C34-0100	Reverse double gear	1
15	GB6177080000270		Nuts M8	1	41	502100430001	TWX115-C27-0000	Driving sprocket	1
16	GB6177060000170		Nuts M6	1	42	502100204107		Drive shaft bushing	1
17	501100408501		Oil plug	1	43	502100250001	TWX114-C27-0000	Drive gear	1
18	501100420001	TWX216-C27-0000	Oil plug φ24×φ28×65	3	44	502100234101		Washer φ17×φ27×1	1
19	505100440006	GB/T276-6002	Bearings 6002	2	45	502100140001	TWX116-C29-0000	Driving sprocket shaft	1
20	505100440005	GB/T276-6202	Bearings 6202	3	46	505100440004	GB/T276-6203	Bearings 6203	1
21	501100420002	TWX217-C27-0000	Oil plug φ13×φ16×55	1	47	502100204103		Counter shaft retaining ring	1
22	502100010001	TWX111-C27-0000	Gear box cover	1	48	502100204104		Drive shaft retaining ring	1
23	502100460001		Spring φ6×φ1×18	1	49	501100380002		O-rings φ39×26	1
24	501102120001		Ball Sφ635	1	50	501100380001		O-rings φ435×26	1
25	502102280001	TWX318-C27-0000	seal ring	1	51	502100077501		Oil sealing plate	1
26	502100508001		Gear box top cover	1	73				

170F Part Illustrations



170F PART LIST

NO.	PART No.	Description	Quantity
1	B057890006001670B	BOLT M6×16	7
2	11221-LC90-0100	CYLINDER HEAD COVER	1
3	90229-KB01-0400	GASKET, VALVE COVER	1
4	12104-IC77-0200	VENTING HOUSE	1
5	15400-LC90-0001	ROCKER ARM ASSEMBLY	2
6	15414-KB01-0000	LOCK NUT	2
7	15403-KB01-0000	ADJUST NUT	2
8	15401-LC90-0001	ROCKER ARM	2
9	15415-KB01-0000	ROCKER ARM STUD	2
10	15406-KB01-0000	ROCKER ARM BASE	1
11	15711-KB01-0000	VALVE SPRING SEAT	1
12	15713-KB01-0000	ADJUST CAP, EXHAUST	1
13	15712-KB01-0000	VALVE SPRING SEAT	1
14	15703-KB01-0000	VALVE SPRING	2
15	1572B-KB03-0000	INTAKE VALVE SEAL	1
16	B0578900080055S0B	BOLT M8×55	4
17	1122B-LC90-0000	CYLINDER HEAD	1
18	91138-KB03-0000	STUD M8×34	2
19	18066-LC90-0000	GASKET, EXHAUST PIPE	1
20	18000-LC90-0100	MUFFLER	1
21	B061700008000000B	NUT M8	2
22	81300-KB01-0000	SPARK PLUG	1
23	91127-LC90-0300	STUD M6×110	2
24	B057890006001270B	BOLT M6×12	7
25	19113-LC90-0000	SHROUD	1

26	17107-LC90-0000	GASKET, CARBURETOR INSULATOR	1
27	17112-KB01-0000	CARBURETOR INSULATOR	1
28	17182-KB01-0100	CARBURETOR GASKET	1
29	17100-LC90-0200	CARBURETOR	1
30	17113-KB01-0000	GASKET	1
31	16100-LC90-0100	AIR FILTER	1
32	24682-LC90-0000	BOLT	2
33	16124-LC90-0000	AIR FILTER COVER	1
34	16105-LC90-0100	AIR FILTER COVER	1
35	16101-KB01-0000	AIR FILTER ELEMENT	1
36	16127-LC90-0100	AIR FILTER BASE	1
37	9022B-LC90-0000	GASKET,CYLINDER HEAD	1
38	15321-LC90-0000	PUSH ROD	2
39	91521-10001600000	DOWEL PIN $\Phi 10 \times 16$	2
40	15701-KC67-0000	INTAKE VAVLE	1
41	15702-LC90-0000	EXHAUST VAVLE	1
42	15002-LC90-0000	TAPPET	2
43	1310A-KB01-0000	PISTON RING SET	1
44	13101-LC90-0000	PISTON	1
45	13102-LC90-0000	PISTON PIN	1
46	13105-KB01-0000	CIRCLIP, PISTON PIN	2
47	13220-LC90-0000	CONNECTING ROD	1
48	12007-LD29-0000	CRANKCASE	1
49	91302-91001516000	WASHER $\Phi 10 \times 1.5 \times \Phi 16$	2
50	91103-KB01-0000	DRAIN BOLT M10 \times 1.25 \times 15	2
51	24605-LC90-0000	GOVERNOR GEAR SHAFT	1
52	T1105006001100400	OIL SEAL $\Phi 6 \times \Phi 11 \times 4$	1
53	90101-10052000190	O-RING $\Phi 5.2 \times 1.9$	1
54	24606-KB01-0000	COTTER PIN	1

55	24640-LC90-0000	GOVERNOR LEVER	1
56	87400-KB01-0100	OIL SENSOR	1
57	92102-00000006205	BEARING 6205	2
58	13230-LC90-1400	CRANKSHAFT	1
59	91601-IB84-0000	WOODRUFF KEY	1
60	24620-LC90-0000	GOVERNOR GEAR	1
61	15100-LC90-0000	CAMSHAFT	1
62	90208-LC90-0400	GASKET, CRANKCASE COVER	1
63	91521-07001400000	DOWEL PIN $\Phi 7 \times 14$	1
64	91521-09001400000	DOWEL PIN $\Phi 9 \times 14$	1
65	12301-LC90-0500	CRANKCASE COVER, LEFT	1
66	14301-IC91-0000	DIPSTICK	1
67	14311-LC90-0000	OIL PLUG	1
68	B057890008003270B	BOLT M8 \times 32	6
69	T1107025004125600	OIL SEAL $\Phi 25 \times \Phi 41.25 \times 6$	1
70	10008-9999-0100	CLAMP	1
71	87420-KB01-0000	OIL SENSOR	1
72	T1105025004125600	OIL SEAL $\Phi 25 \times \Phi 41.25 \times 6$	1
73	81200-LC90-0300	IGNITION MODULE	1
74	B057890006002570B	BOLT M6 \times 25	2
75	82150-LC90-0000	FLYWHEEL	1
76	19102-KB01-0000	COOLING FAN	1
77	21520-KB01-0700	STARTER CUP	1
78	B061770F14000070B	NUT M14 \times 1.5	1
79	21500-LC90-04006Y	RECOIL STARTER	1
80	72380-KB01-1800	ENGINE SWITCH	1
81	21530-LC90-0600	BLOWER HOUSING	1
82	B000950006000000B	WASHER $\Phi 6$	3
83	B166740006001070B	BOLT M6 \times 10	3

84	21510-LC90-05006Y	RECOIL STARTER	1
85	19112-LC90-0100	LOWER SHIELD	1
86	B057890006001670B	BOLT M6×16	1
87	61120-LC90-0100	FUEL CAP	1
88	61100-LC90-15006Y	FUEL TANK	1
89	B061770106000060B	NUT M6	2
90	T2999904000800205	FUEL HOSE $\Phi 4 \times \Phi 8 \times 205$	1
91	17020-KB01-0000	CLAMP, FUEL HOSE	2
92	24602-LB16-0100	GOVERNOR SPRING	1
93	24603-KB01-0000	IDLE SPRING	1
94	24604-KB01-0000	THROTTLE LINKAGE	1
95	24610-KB01-0000	GOVERNOR GEAR BRACKET ASSY	1
96	B057870006001270B	BOLT M6×12	2