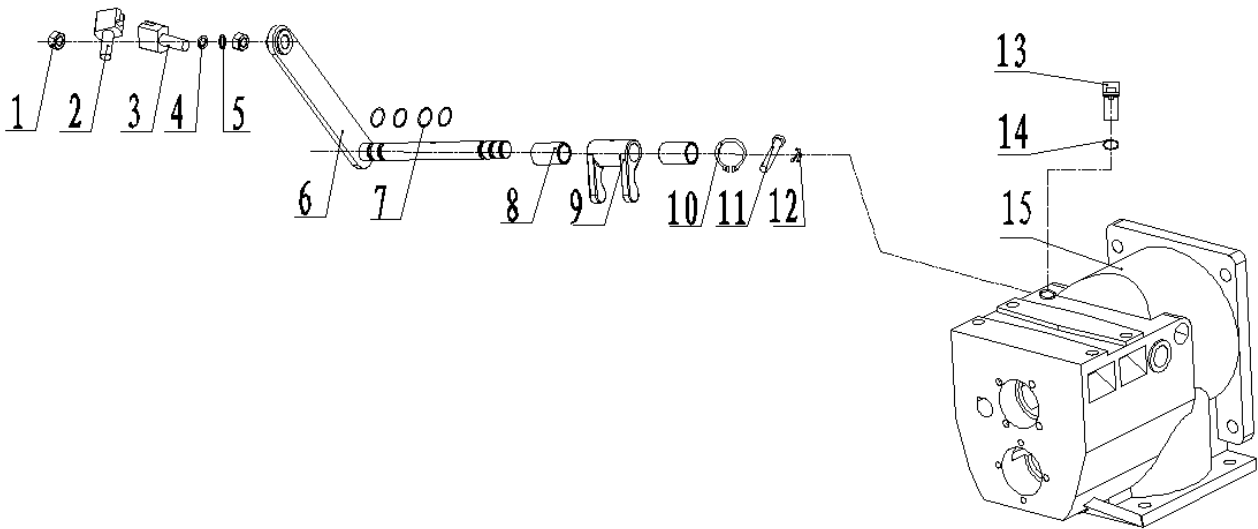


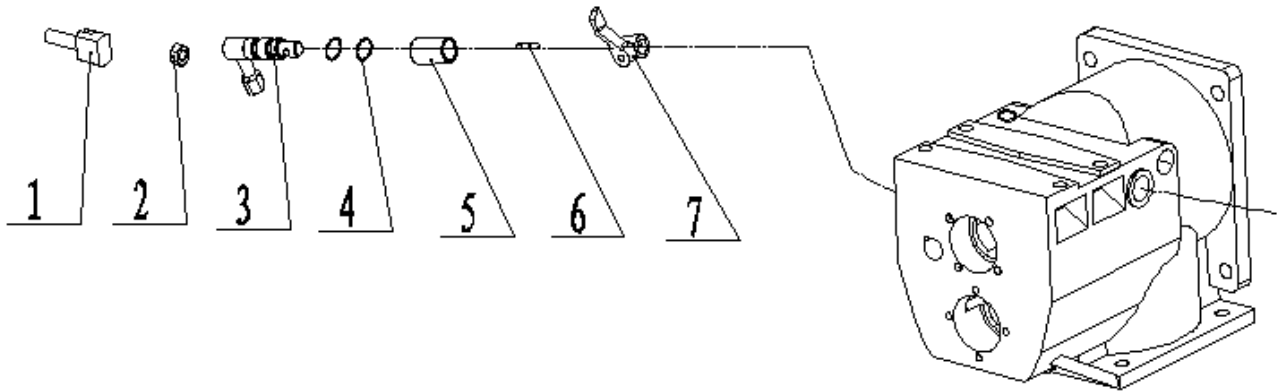
MS7100CF

Gear Box (Clutch Fork)



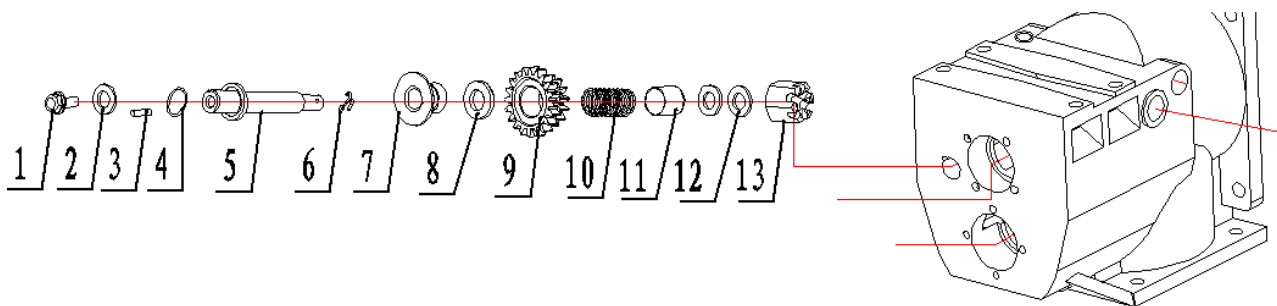
POS	PART NUMBER	DESCRIPTION	QTY
1	2630100287	Nut M8	2
2	20603002600	Clutch cable seat	1
3	20603002400	Clutch rope seat	1
4	2630101705	Spring washer φ8	2
5	2630102093	Flat washer φ8	1
6	20206001600	Clutch fork shaft φ112*265	1
7	20901000500	O-ring φ112*265	4
8	20701000800	Bushing for clutch fork shaft Φ16*Φ20*31	2
9	20205000300	Fork	1
10	20703000800	Clip of axes Φ16	1
11	2630102503	B Pin with hole φ6*28	1
12	2630102098	Cotter pin 16*20	1
13	25106003800	Oil dipstick 120mm	1
14	20901007500	O-ring Φ24*Φ17*35	1
15	20101018900	Gear box	1

Gear Box (Reverse Gear Fork)



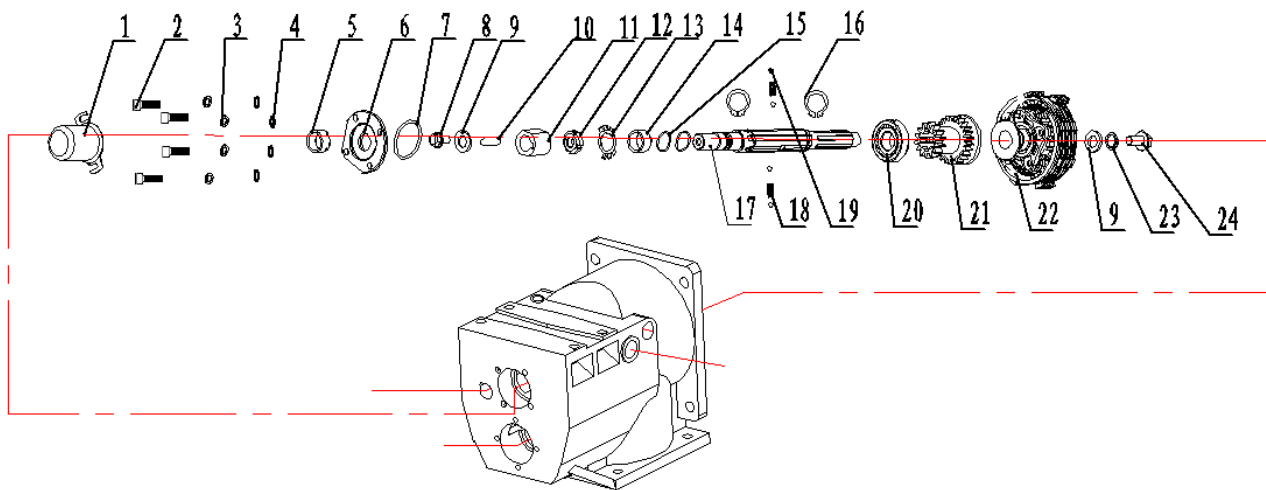
POS	PART NUMBER	DESCRIPTION	QTY
1	20603002500	Reverse gear rope seat	1
2	2630100287	Nut M8	1
3	20206006600	Reverse gear fork shaft	1
4	20901000500	O-ring $\Phi 16*\Phi 20*31$	2
5	20701000800	Bushing for clutch fork shaft $\Phi 16*\Phi 20*31$	1
6	2630100009	Threaded cylindrical pin M5*30	1
7	20205000500	Reverse gear fork	1

Gear Box (Reverse Gear Shaft)



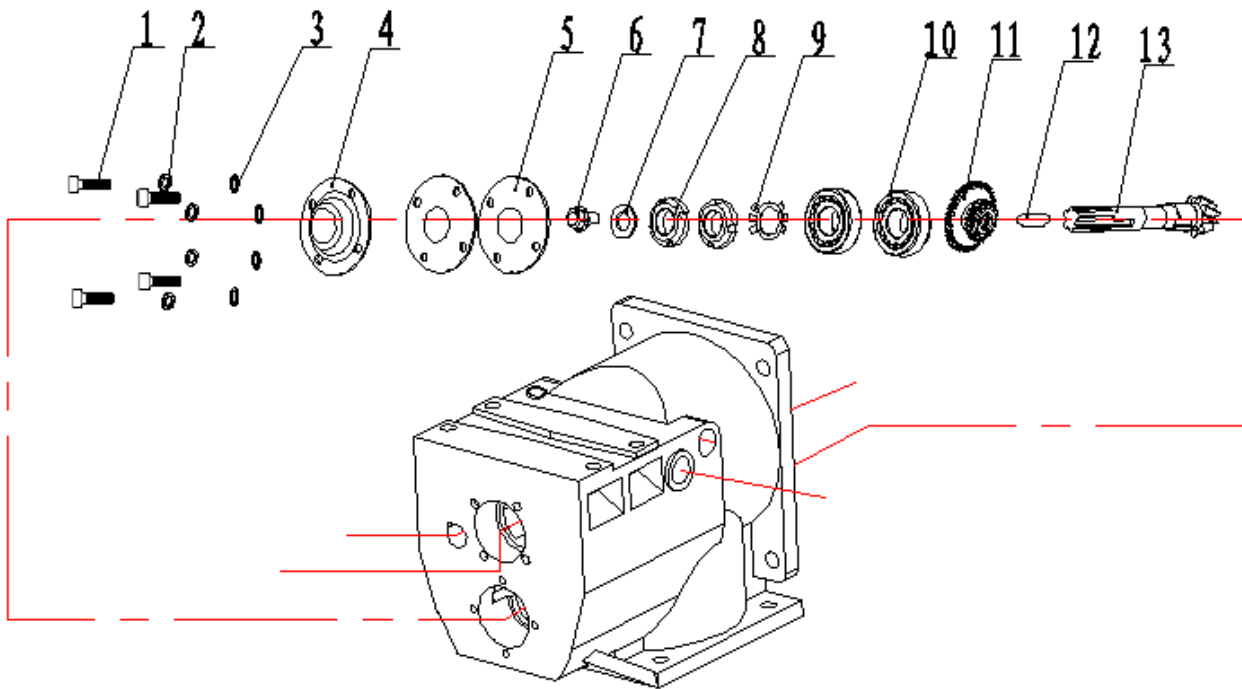
POS	PART NUMBER	DESCRIPTION	QTY
1	2630102319	Bolt M10*25	1
2	2630102345	Flat washer 105*22*4	1
3	2630102538	Cylindrical pin $\phi 5*10$	1
4	20901000900	O ring $\phi 18*18$	1
5	20201002300	Reverse gear axes 127mm	1
6	2630101884	Cotter pin 16*20 25*30	1
7	20604000400	Reverse gear pulling plate	1
8	20604000300	Reverse gear spring seat	1
9	20202004700	Reverse gear wheel	1
10	20704000400	Spring of reverse gear	1
11	20604038100	Limit plate of reverse gear	1
12	2630102346	Flat washer $\phi 12$	2
13	2630102484	Six-angle nut M12	1

Gear Box (Main Shaft)



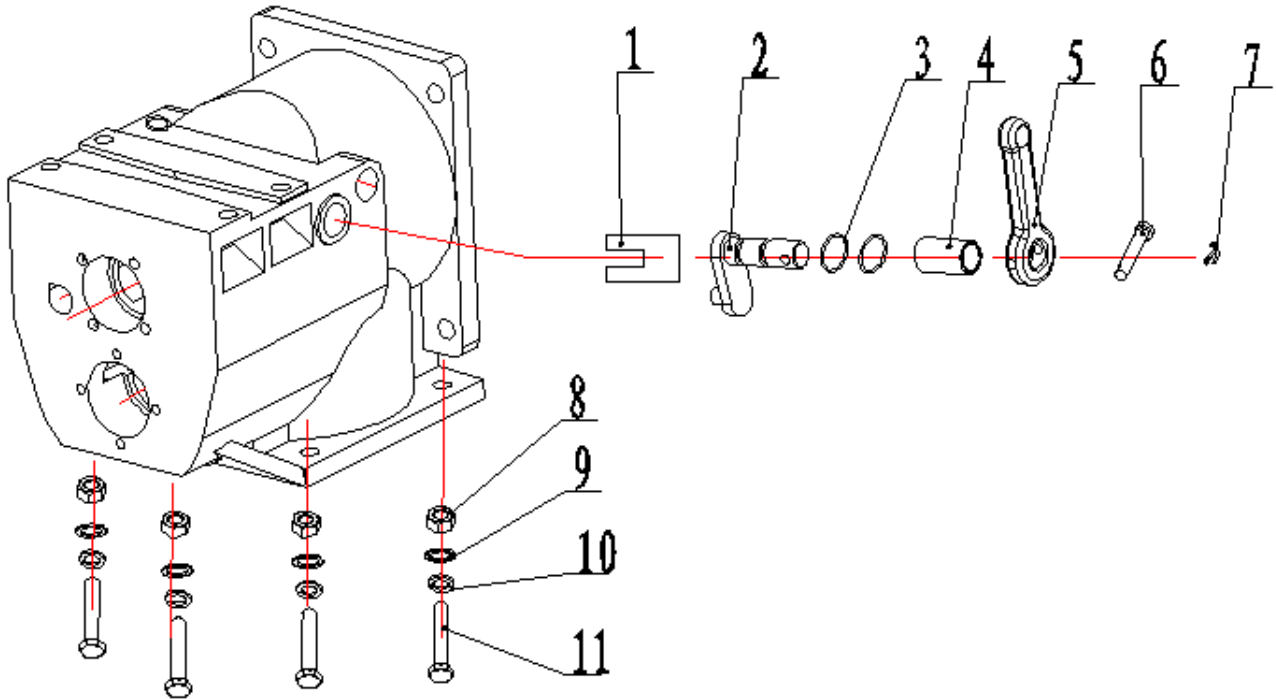
POS	PART NUMBER	DESCRIPTION	QTY
1	20501014700	Main shaft protection cover	1
2	2630102329	Hexagon screw M6*20	4
3	2630102308	Spring washer $\phi 6$	4
4	2630102092	Flat Washer $\phi 6$	4
5	2630100601	Oil Seal 25*40*7	1
6	20604044100	Main shaft plate	1
7	20901006500	O-ring $\phi 425*265$	1
8	2630101808	Bolt M8*16	1
9	2630102506	Flat washer 8*32*2	2
10	2630100030	Flat key 6*6*20	1
11	20604040100	Bushing for flat key	1
12	2630101722	Round nut M20*15	1
13	2630100413	Tab washer $\Phi 20$	1
14	20701000600	Bushing for main shaft	1
15	20901000900	O-ring $\phi 18*18$	2
16	20703000700	Clip of axes $\Phi 25$	1
17	20201000300	Main shaft 250mm	1
18	20704000500	Retaining spring $\phi 8$	2
19	20604000100	Fork limited steel ball S $\phi 63$	4
20	26302002200	Deep groove ball bearing 6204	1
21	20202001300	Main shaft double tooth gear wheel	1
22	20209000202	Clutch core	1
23	2630101225	Spline gasket $\phi 8$	1
24	2630101808	Bolt M8*16	1

Gear Box (Countershaft)



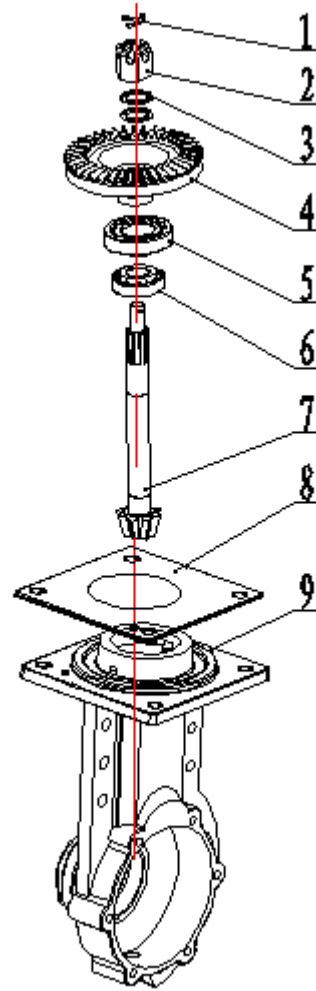
POS	PART NUMBER	DESCRIPTION	QTY
1	2630102329	Hexagon screw M6*20	4
2	2630102308	Spring washer $\phi 6$	4
3	2630102092	Flat washer $\phi 6$	4
4	20604038200	Countershaft cap	1
5	20905000600	Paper gasket for counter shaft cap 05mm	2
6	2630101808	Bolt M8*16	1
7	2630102506	Flat washer 8*32*2	1
8	2630101722	Round nut M20*15	2
9	2630100413	Tab washer $\Phi 20$	1
10	26302001400	Tapered roller bearing 30204	2
11	20202001900	Double-tooth countershaft gear wheel	1
12	2630100409	Flat key 8*7*20	1
13	20201000500	Countershaft	1

Gear Box (Shifting Axle)



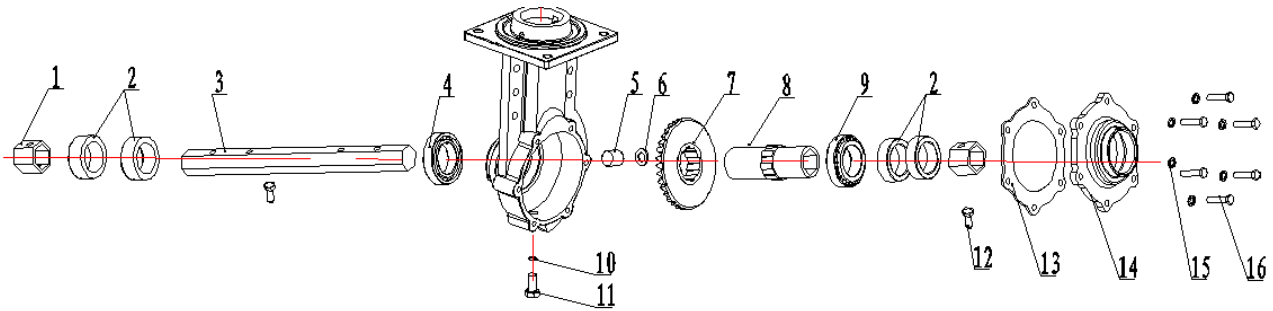
POS	PART NUMBER	DESCRIPTION	QTY
1	20604001000	Shift fork	1
2	20206002000	Shift fork axle	1
3	20901000500	O-ring $\varphi 112 \times 265$	2
4	20701000700	Bushing shift fork axle	1
5	20304001200	Shift arm	1
6	2630102500	B Pin with hole $\varphi 6 \times 40$	1
7	2630102098	Cotter pin 16*20	1
8	2630101777	Nut M10	4
9	2630102095	Spring Gasket $\varphi 10$	4
10	2630102094	Flat washer $\varphi 10$	4
11	2630102512	Bolt M10*40	4

Transmission Box(Bevel Gear)



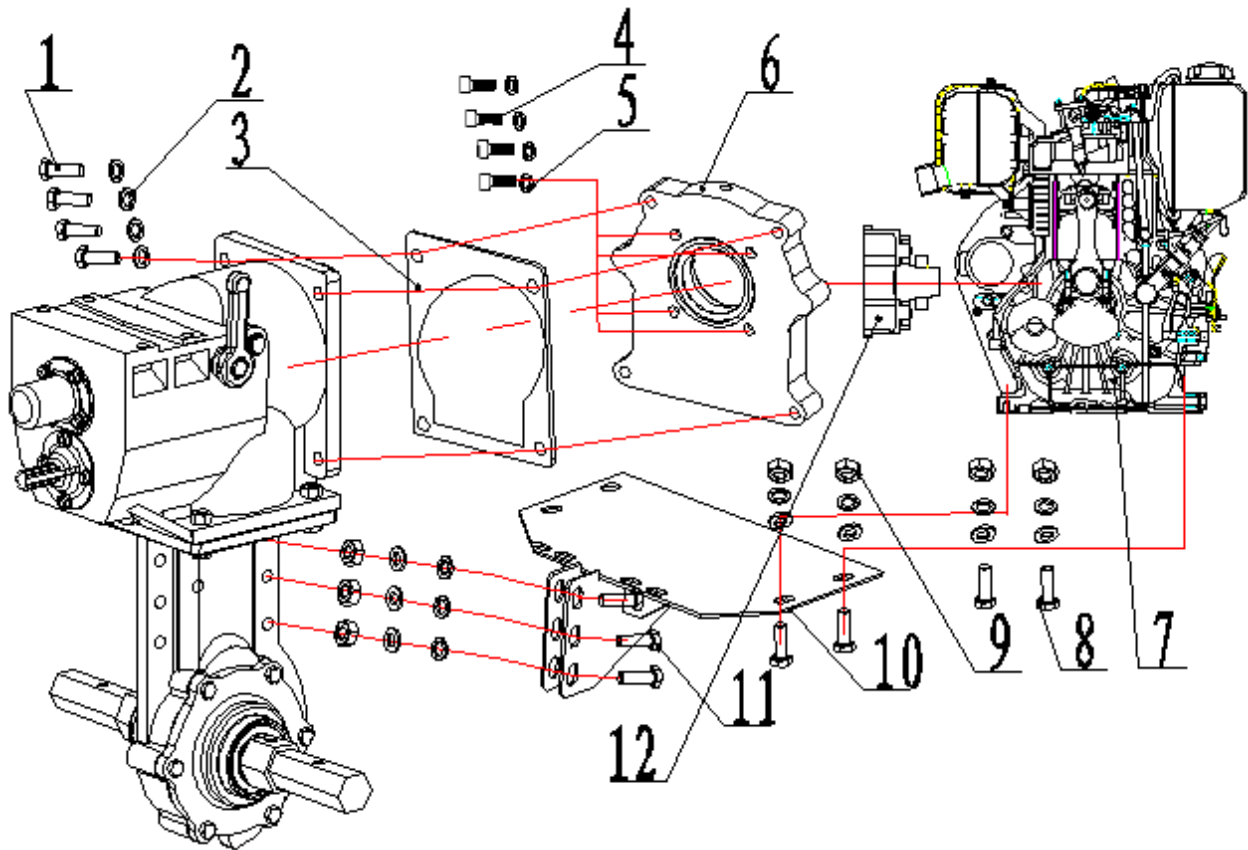
POS	PART NUMBER	DESCRIPTION	QTY
1	2630101884	Cotter pin 25*30	1
2	2630102484	Six-angle nut M12	1
3	2630102346	Flat washer ϕ 12	2
4	20202001600	Bevel gear	1
5	26302001500	Tapered roller bearing 30206	1
6	26302001400	Tapered roller bearing 30204	1
7	20201017300	Bevel gear shaft	1
8	20905001200	Paper pad for transmmission box	1
9	20101019000	Transmission box	1

Transmission Box (Hexagonal Output Shaft)



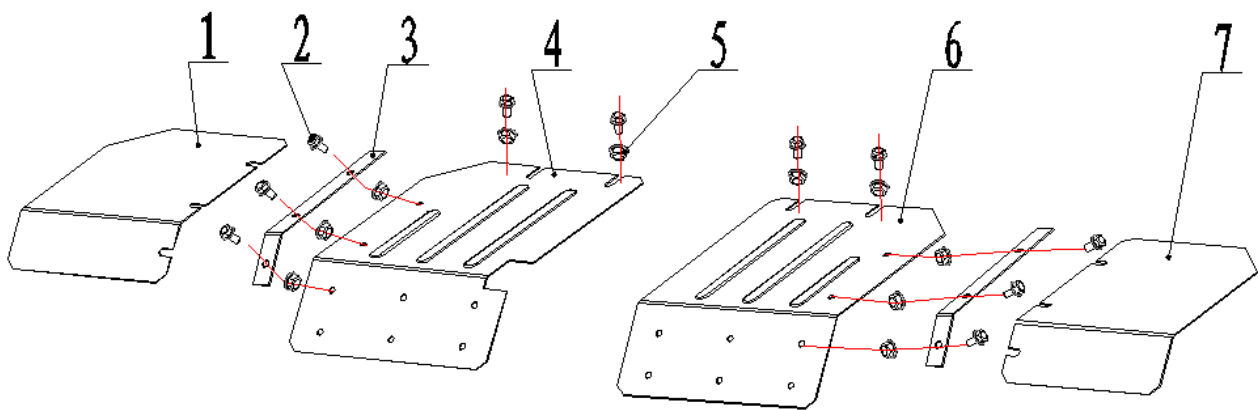
POS	PART NUMBER	DESCRIPTION	QTY
1	20701003000	Hexagonal fixed sets	2
2	2630100460	Oil Seal 45*62*8	4
3	20201001700	Hexagonal output axes tube	1
4	26302002000	Deep groove ball bearing 6009	1
5	20701001900	Output axes tube	1
6	20706000400	Adjustment shims $\phi 455*\Phi 60*05$	1
7	20202002400	Bevel gear	1
8	20701003400	Hexagonal output axes tube	1
9	26302001600	Tapered roller bearing 32009	1
10	20901000600	O-ring $\phi 125*30$	1
11	2630102539-1	Drain bolt M12*15*125	1
12	2630102509	Bolt M8*16	2
13	20905001100	Paper pad for transmission box	1
14	20103000700	End cover	1
15	2630101705	Spring washer $\phi 8$	6
16	2630102336	Bolt M8*30	6

Engine Support



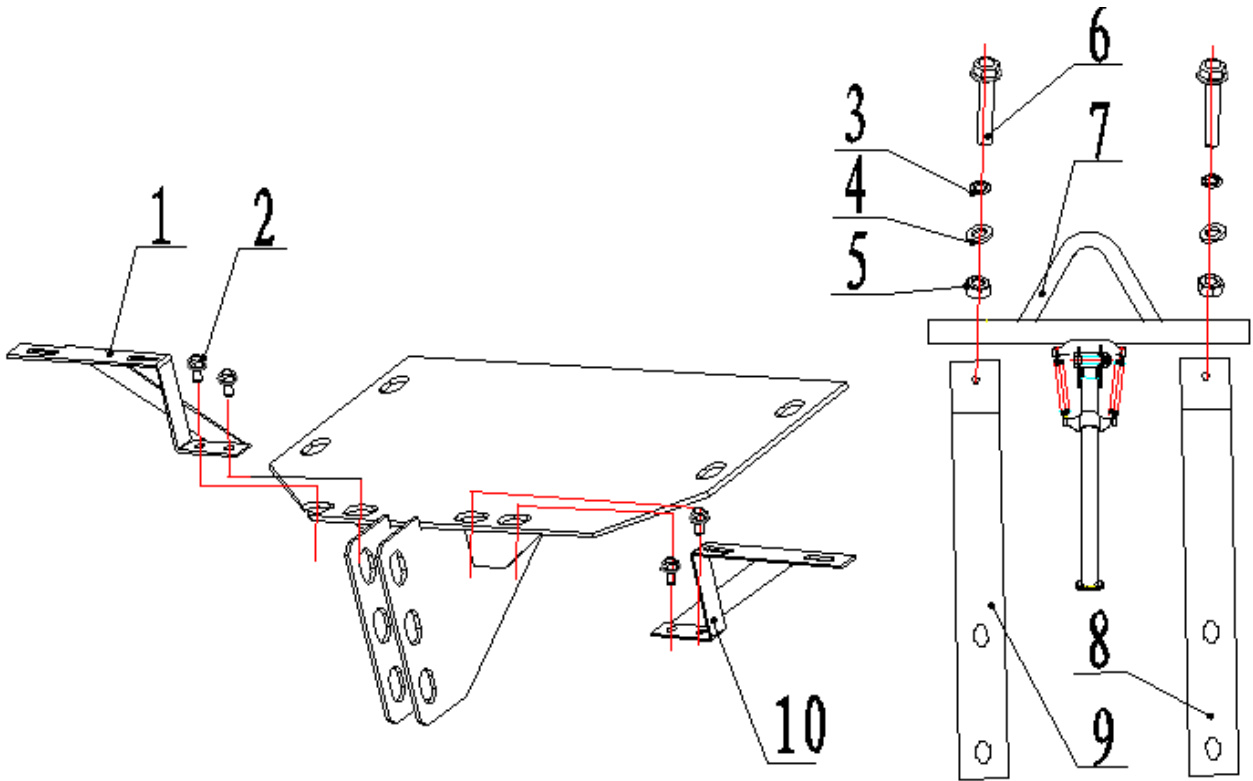
POS	PART NUMBER	DESCRIPTION	QTY
1	2630102339	Bolt M10*35	2
2	2630102095	Spring washer $\phi 10$	11
3	20905000500	Paper pad for flange plate 05mm	1
4	2630102513	Hexagon screw M8*30	4
5	2630101705	Spring washer $\phi 8$	4
6	20102000700	Flange plate	1
7	501028000024	Engine	1
8	2630102341	Bolt M10*45	4
9	2630101777	Nut M10	11
10	20401001100	Engine support	1
11	2630102512	Bolt M10*40	5
12	20209000201	Clutch cover	1

Fender



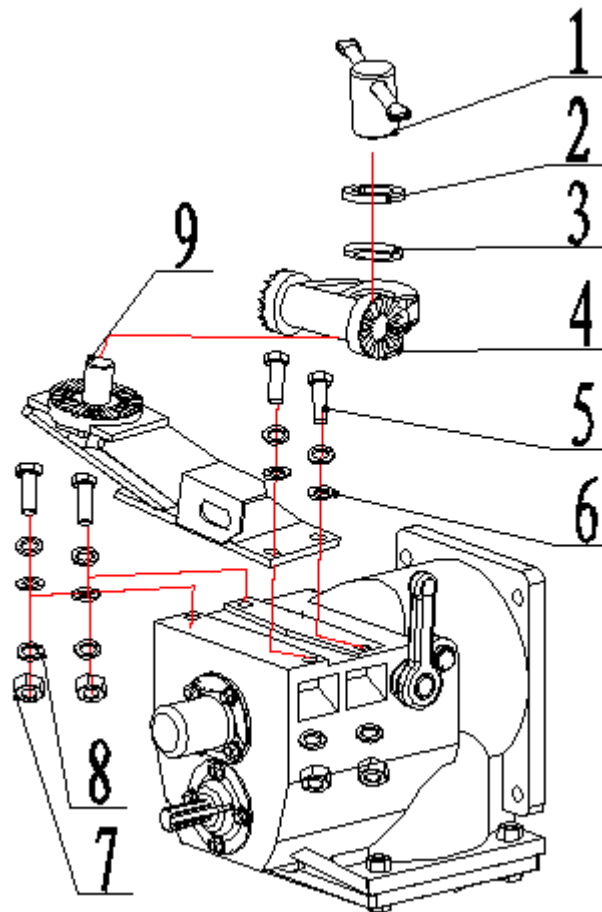
POS	PART NUMBER	DESCRIPTION	QTY
1	20414000700	External fender left	1
2	2630100191	Bolt M6*16	10
3	20414001600	Layering	2
4	20404003300	Internal fender left	1
5	2630100291	Nut M6	10
6	20404004000	Internal fender right	1
7	20414001400	External fender right	1

Front Bumper



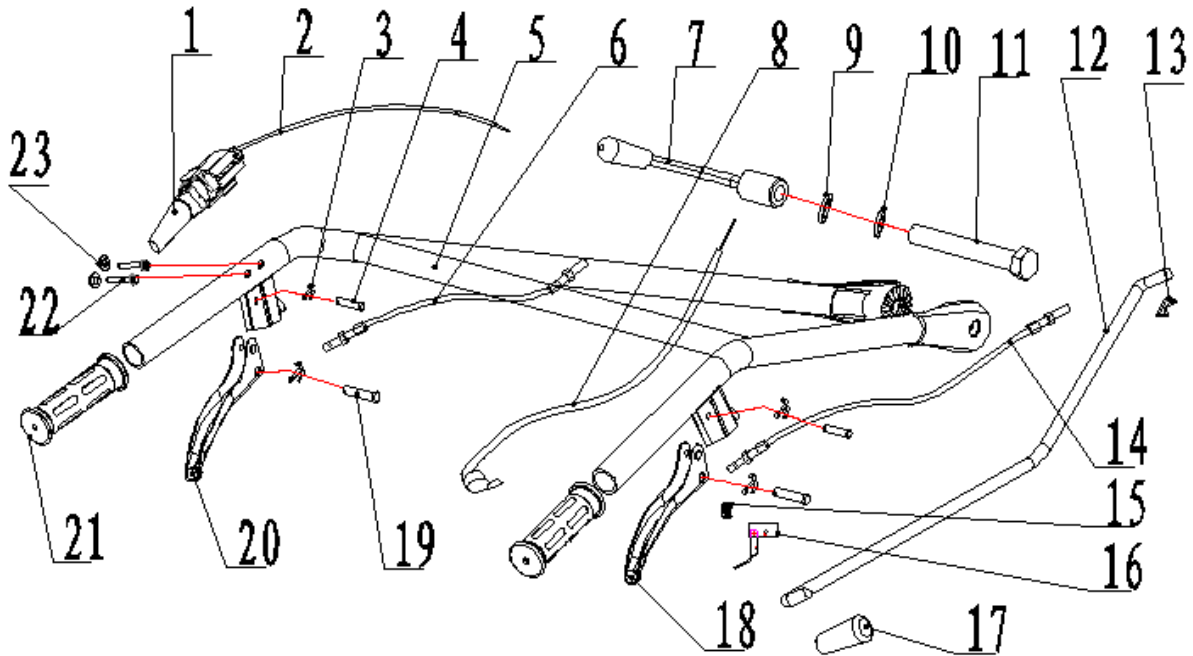
POS	PART NUMBER	DESCRIPTION	QTY
1	20405002300	Front fender bracket left	1
2	2630101808	Bolt M8*16	4
3	2630101705	Spring washer φ8	2
4	2630102504	Flat washer 8*24*2	2
5	2630100287	Nut M8	2
6	2630102510	Bolt M8*55	2
7	/	Frtong stand	1
8	20402000207	Front bumper right arm	1
9	20402000208	Front bumper left arm	1
10	20405001600	Fron fender bracket right	1

Armrest Seat



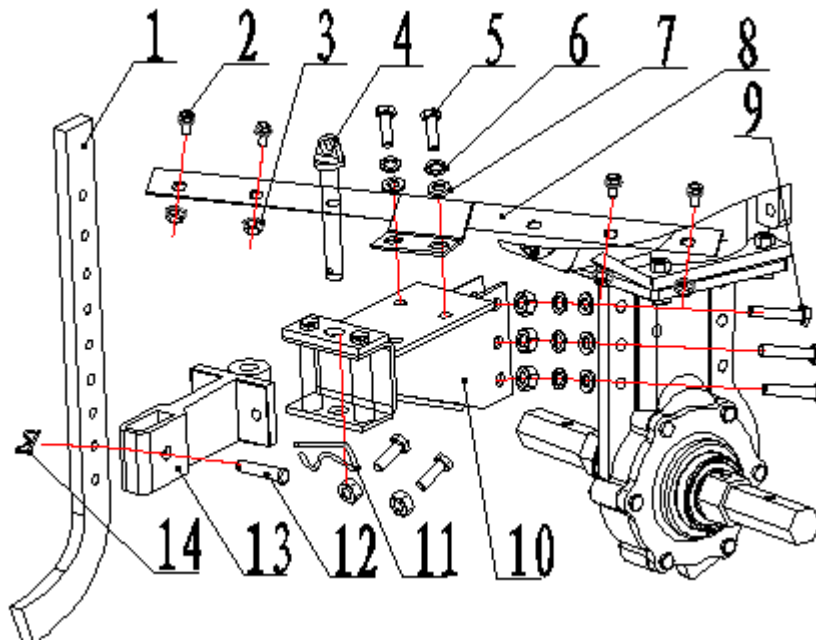
POS	PART NUMBER	DESCRIPTION	QTY
1	20306001800	Chainring locking handle	1
2	2630102327	Spring washer 20*32*5	1
3	2630102322	Flat washer $\varnothing 20$	1
4	20410001000	Chainring board	1
5	2630102512	Bolt M10*40	4
6	2630102093	Flat washer $\varnothing 8$	4
7	2630100287	Nut M8	4
8	2630102095	Spring washer $\varnothing 10$	8
9	20409002500	Armrest seat	1

Handle Assy



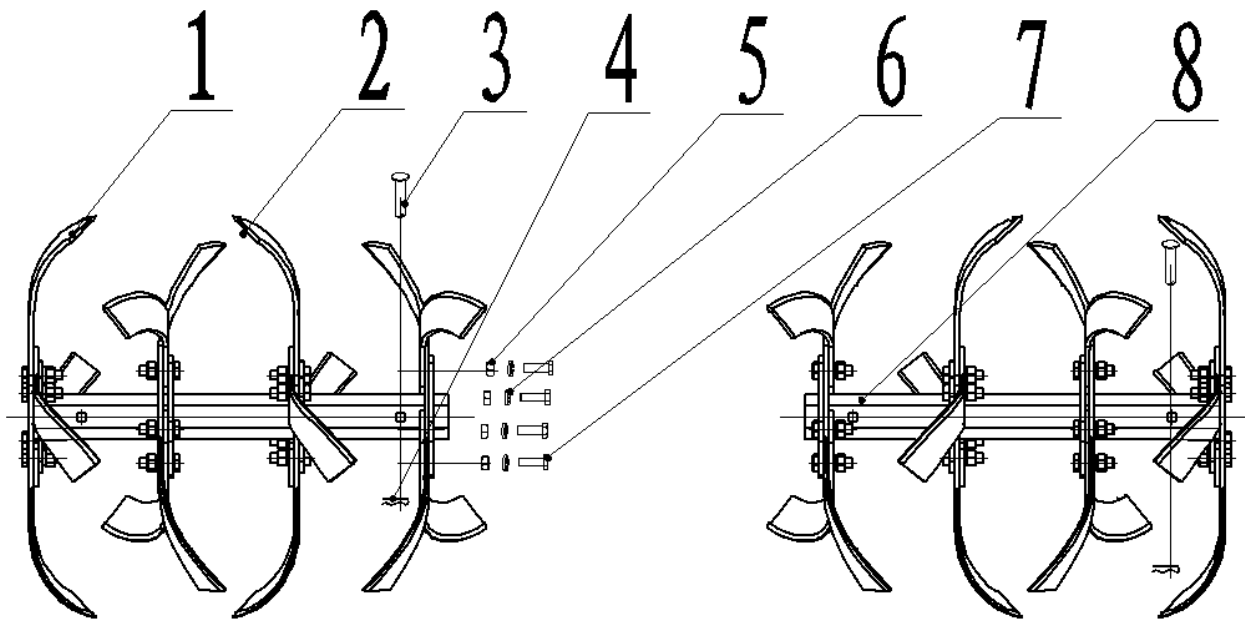
POS	PART NUMBER	DESCRIPTION	QTY
1	20307000700	Emergency stop handle seat	1
	20307006200	Emergency stop handle buckle	1
	20307005400	Emergency stop handle	1
2	20307004200	Emergency stop cable	1
3	2630102098	Cotter pin 16*20	4
4	2630102501	B Pin with hole 7*21	2
5	20408024900	Handle Bar Assy	1
6	20802009400	Clutch cable	1
7	20306001700	Lifting locking handle	1
8	20801003600	Governor switch assy with cable	1
9	2630102326	Spring washer 16*24*4	1
10	2630102323	Flat washer 16*32*2	1
11	2630102315	Bolt M16*150*2	1
12	20301000500	Shift level	1
13	2630102385	B Cotter pin 9*2*38	1
14	20802009300	Reverse gear cable	1
15	20704001100	Reverse gear latch spring	1
16	20501014600	Reverse gear buckle	1
17	20906000100	Lifting locking handle cover	2
18	20305000400	Reverse gear handle	1
19	20601004600	Pin for cable φ10*22	2
20	20305000200	Cluth handle	1
21	20906003600	Armrest rubber handle	2
22	2630100186-1	Bolt M6*35	2

Rear Connector



POS	PART NUMBER	DESCRIPTION	QTY
1	20413000800	Speed control rod	1
2	2630100191	Bolt M6*16	4
3	2630100291	Nut M6	4
4	20601005300	Big Pin	1
5	2630102339	Bolt M10*35	2
6	2630102095	Spring washer ϕ 10	5
7	2630102094	Flat washer ϕ 10	5
8	20405003300	Back fender bracket	1
9	2630102515	Bolt M10*50	5
10	20411000400	Rear connector	1
11	2630102492	B pin with hole 20*80*35	1
12	2630102502	B Pin with hole 8*50	1
13	20412000400	Connector for speed control rod	1
14	2630102385	B pin with hole 9*2*38	1

Rotary Blades



POS	PART NUMBER	DESCRIPTION	QTY
1	21201016500	Rotary blade right	16
2	21201016400	Rotary blade left	16
3	2630102502	B Pin with hole 8*50	2
4	2630102385	B Cotter pin 9*2*38	2
5	2630101777	Nut M10	32
6	2630101705	Spring washer $\varphi 8$	32
7	2630102319	Bolt M10*25	32
8	21201004902	Sub hub	2