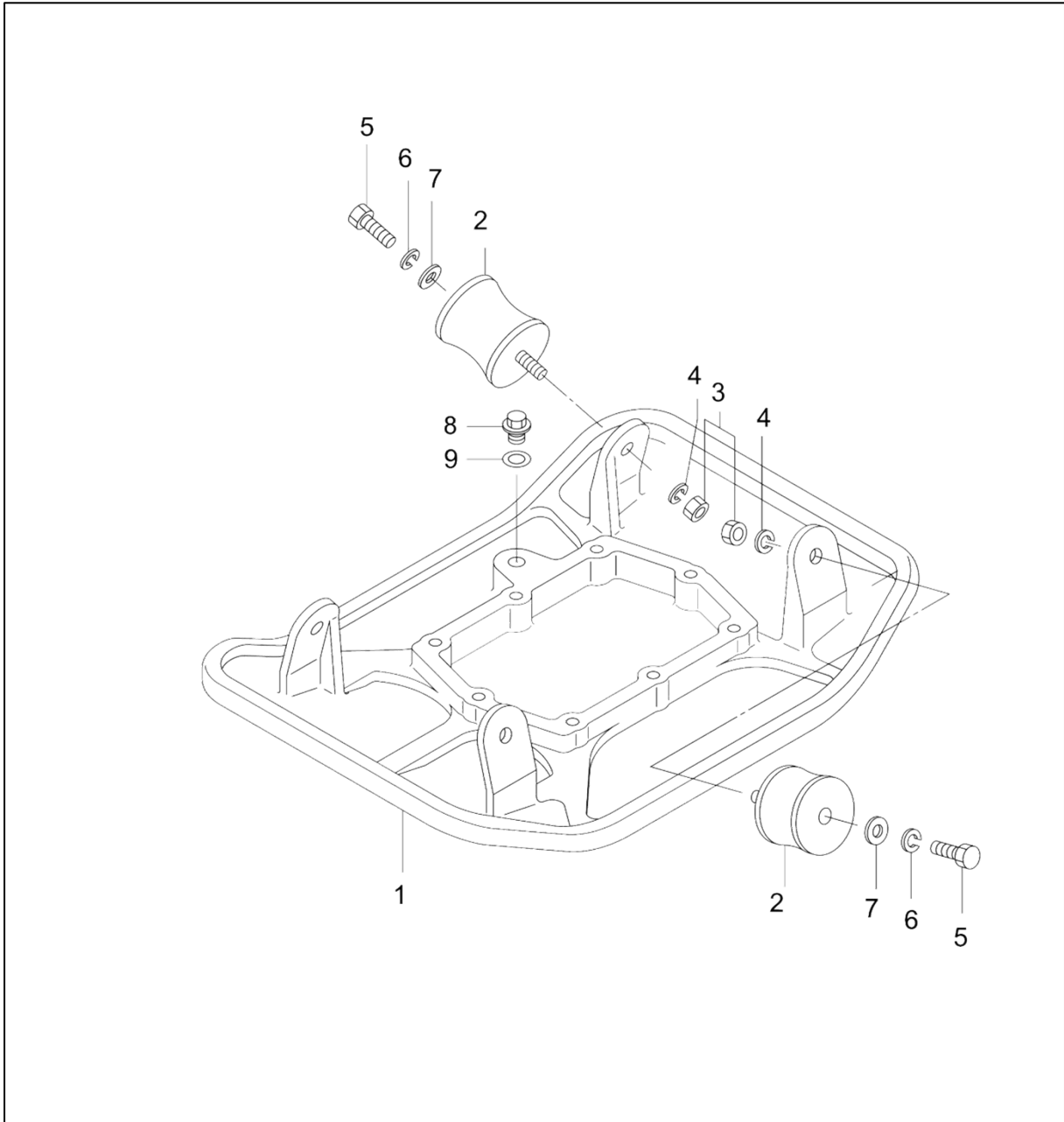
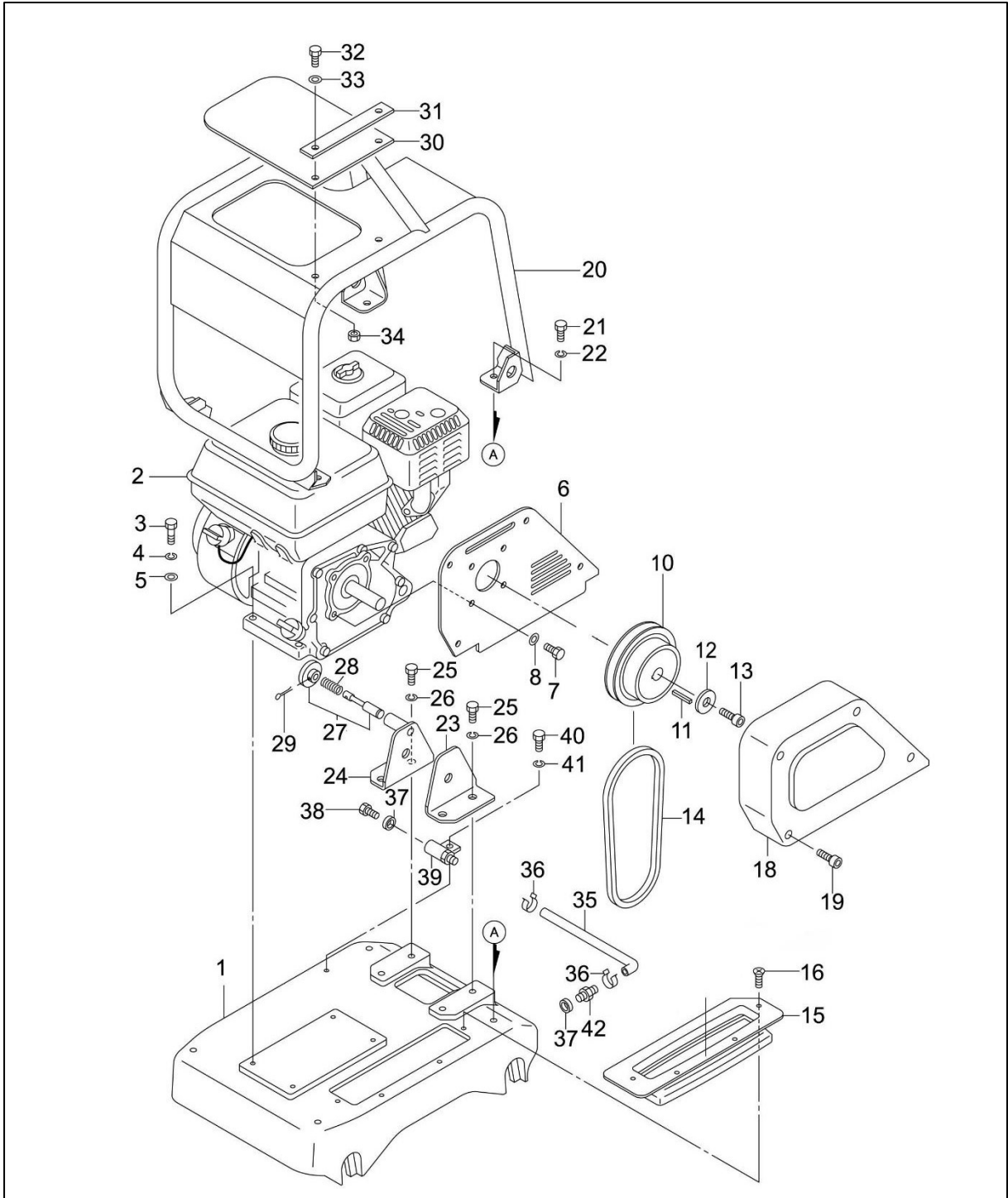


## 12. Spare parts LIST BTPC60RH

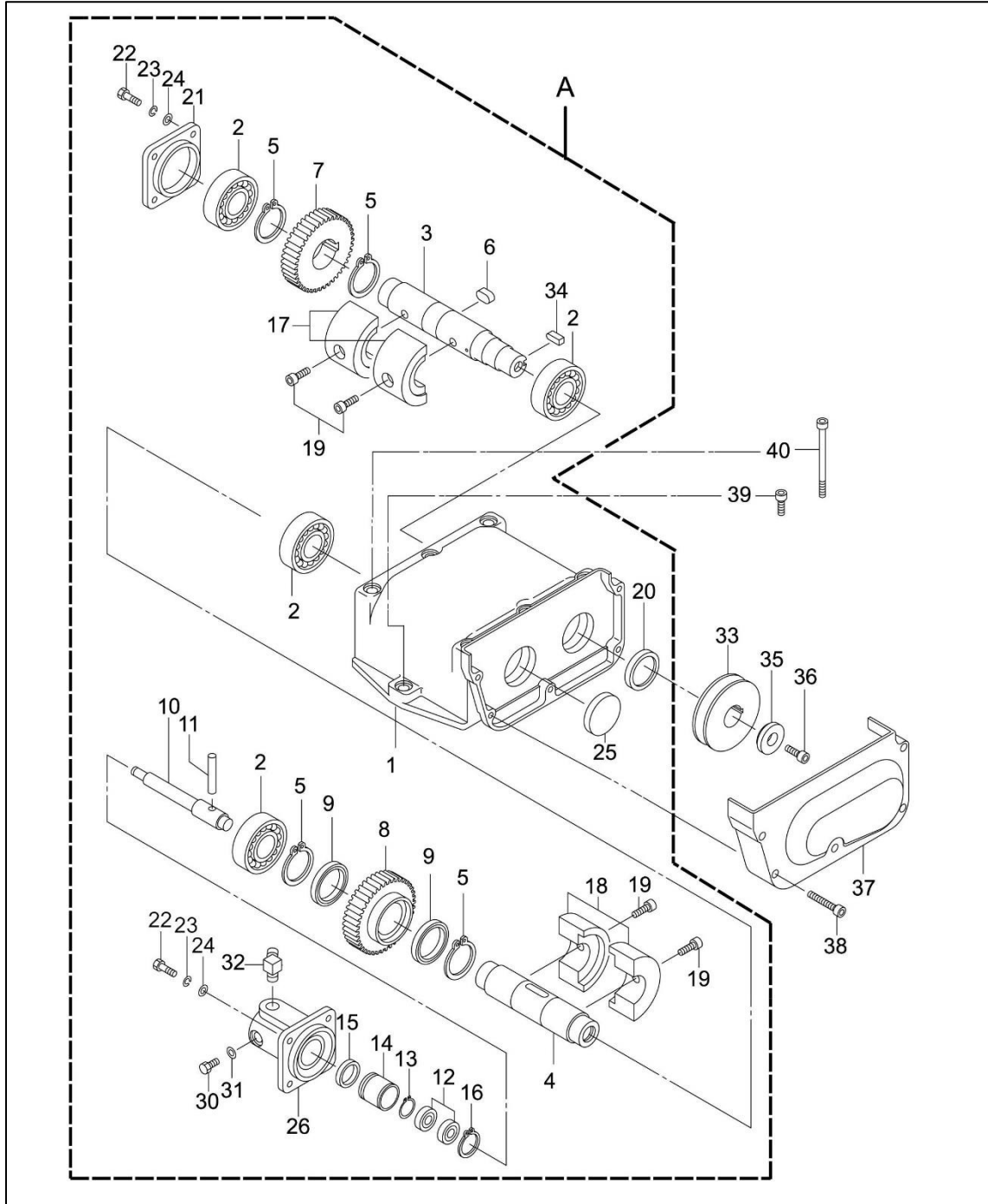


<b>VIBRATING PLATE</b>			
<b>S/NO</b>	<b>PART NO</b>	<b>DESCRIPTION</b>	<b>QTY</b>
1	CPC-60-1A	VIBRATING PLATE	1
2	CPC-60-2A	SHOCK ABSORBER	4
3	CPC-60-3A	NUT M10	4
4	CPC-60-4A	SW M10	4
5	CPC-60-5A	BOLT M10X30T	4
6	CPC-60-6A	SW M10	4
7	CPC-60-7A	WASHER	4
8	CPC-60-8A	OIL GAUGE	1
9	CPC-60-9A	PACKING	1



<b>BODY</b>			
<b>S/NO</b>	<b>PART NO</b>	<b>DESCRIPTION</b>	<b>QTY</b>
1	CPC-60-1B	BASE	1
2	CPC-60-2B	ENGINE	1
3	CPC-60-3B	BOLT M8X40T	4
4	CPC-60-4B	SW M8	4
5	CPC-60-5B	PW M8	4
6	CPC-60-6B	BELT COVER PLATE	1
7	CPC-60-7B	BOLT M8X20T	4
8	CPC-60-8B	SW M8	4
10	CPC-60-10B	CLUTCH ASSEMBLY	1
11	CPC-60-11B	KEY	1
12	CPC-60-12B	CLUTCH WASHER	1
13	CPC-60-13B	SOCKET HEAD BOLT M8X25T	1
14	CPC-60-14B	V-BELT	1
15	CPC-60-15B	DUST COVER	1
16	CPC-60-16B	FLAT HEAD SCREW M6X10T	4
18	CPC-60-18B	BELT COVER OUT	1
19	CPC-60-19B	SOCKET HEAD BOLT M8X70T	4
20	CPC-60-20B	GUARD FRAME	1
21	CPC-60-21B	BOLT M10X30T	4
22	CPC-60-22B	SW M10	4
23	CPC-60-23B	STAY (L) HANDLE	1
24	CPC-60-24B	STAY (R) HANDLE	1
25	CPC-60-25B	BOLT M10X30T	4
26	CPC-60-26B	SW M10	4
27	CPC-60-27B	STOPPER, GRIP SET	1
28	CPC-60-28B	SPRING 1.2-10-29	1
29	CPC-60-29B	SPRING PIN 2.5X16	1
30	CPC-60-30B	RUBBER COVER	1
31	CPC-60-31B	PLATE, RUBBER COVER	1
32	CPC-60-32B	BOLT M8X25T	2
33	CPC-60-33B	PW M8	2

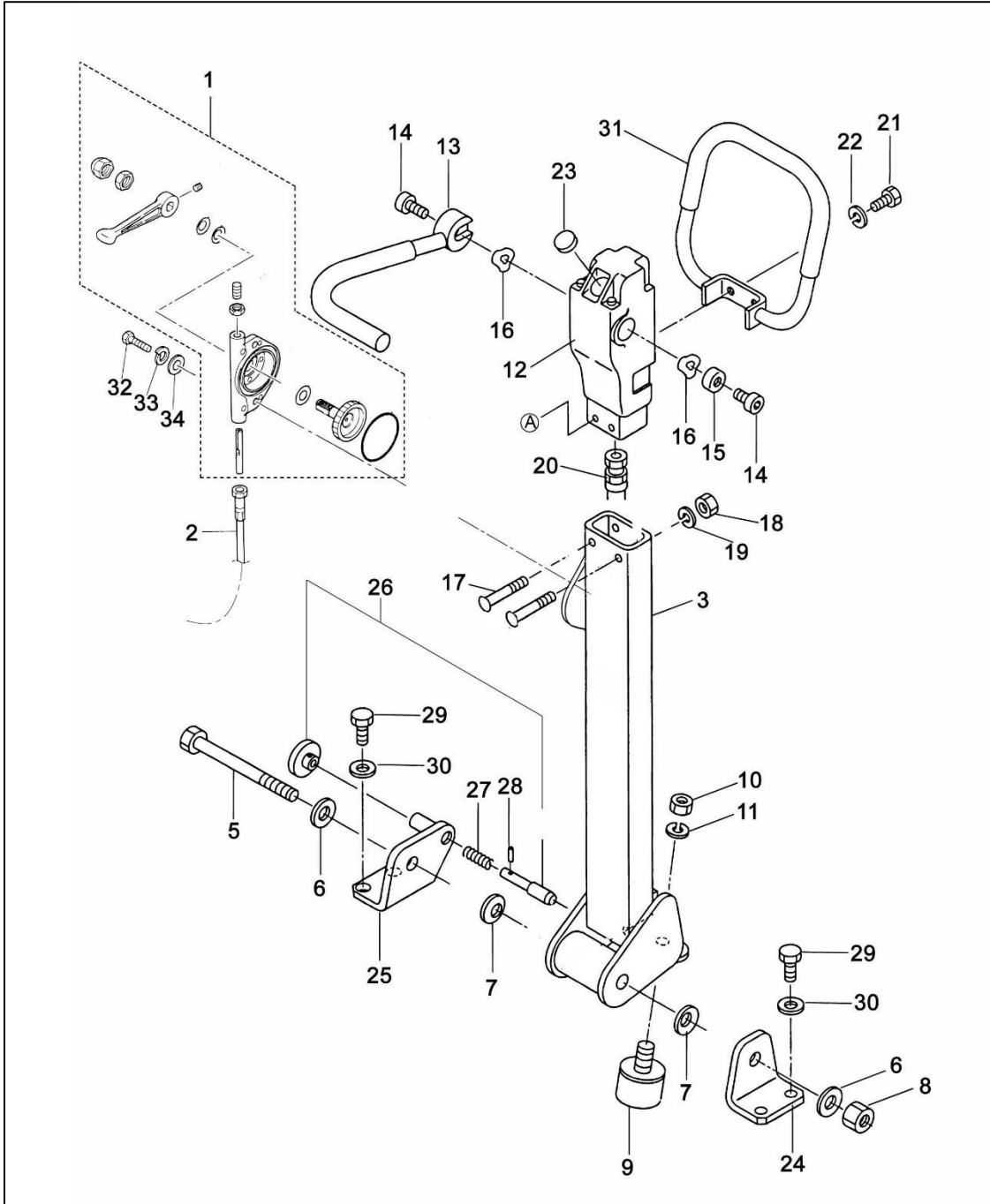
34	CPC-60-34B	NYLON NUT M8	2
35	CPC-60-35B	DRAIN HOSE	1
36	CPC-60-36B	HOSE BAND 11.5D	2
37	CPC-60-37B	WASHER, DRAIN PLUG	2
38	CPC-60-38B	BOLT, DRAIN PLUG	1
39	CPC-60-39B	JOINT	1
40	CPC-60-40B	BOLT M8X20T	1
41	CPC-60-41B	SW M8	1
42	CPC-60-42B	UNION	1



<b>VIBRATOR</b>			
<b>S/NO</b>	<b>PART NO</b>	<b>DESCRIPTION</b>	<b>QTY</b>
A	CPC-60-C	VIBRATOR ASSEMBLY	1
1	CPC-60-1C	VIBRATING CASE	1
2	CPC-60-2C	ROLLER BEARING 6206C4	4
3	CPC-60-3C	ROTARY SHAFT, DRIVE	1
4	CPC-60-4C	ROTARY SHAFT, DRIVEN	1
5	CPC-60-5C	STOP RING S-35	4
6	CPC-60-6C	KEY 10X8X19	1
7	CPC-60-7C	GEAR (DRIVE)	1
8	CPC-60-8C	GEAR (DRIVEN)	1
9	CPC-60-9C	BEARING 6807C3	2
10	CPC-60-10C	PISTON ROD	1
11	CPC-60-11C	PIN 8X45	1
12	CPC-60-12C	BEARING 6000ZZSG	2
13	CPC-60-13C	STOP RING S-10	1
14	CPC-60-14C	PISTON, 22.4D	1
15	CPC-60-15C	PACKING USH-22.4X30X5	1
16	CPC-60-16C	STOP RING R-26	1
17	CPC-60-17C	ECCENT. ROTATOR, DRIVE	2
18	CPC-60-18C	ECCENT. ROTATOR, DRIVEN	2
19	CPC-60-19C	SOCKET HEAD BOLT M10X25	4
20	CPC-60-20C	OIL SEAL	1
21	CPC-60-21C	BEARING COVER	1
22	CPC-60-22C	BOLT M8X20T	4
23	CPC-60-23C	SW M8	4
24	CPC-60-24C	PW M8	4
25	CPC-60-25C	SEAL CAP	1
26	CPC-60-26C	CYLINDER	1
27	CPC-60-27C	BOLT M8X20T	4
28	CPC-60-28C	SW M8	4
29	CPC-60-29C	PW M8	4
30	CPC-60-30C	BOLT M8X12T	1

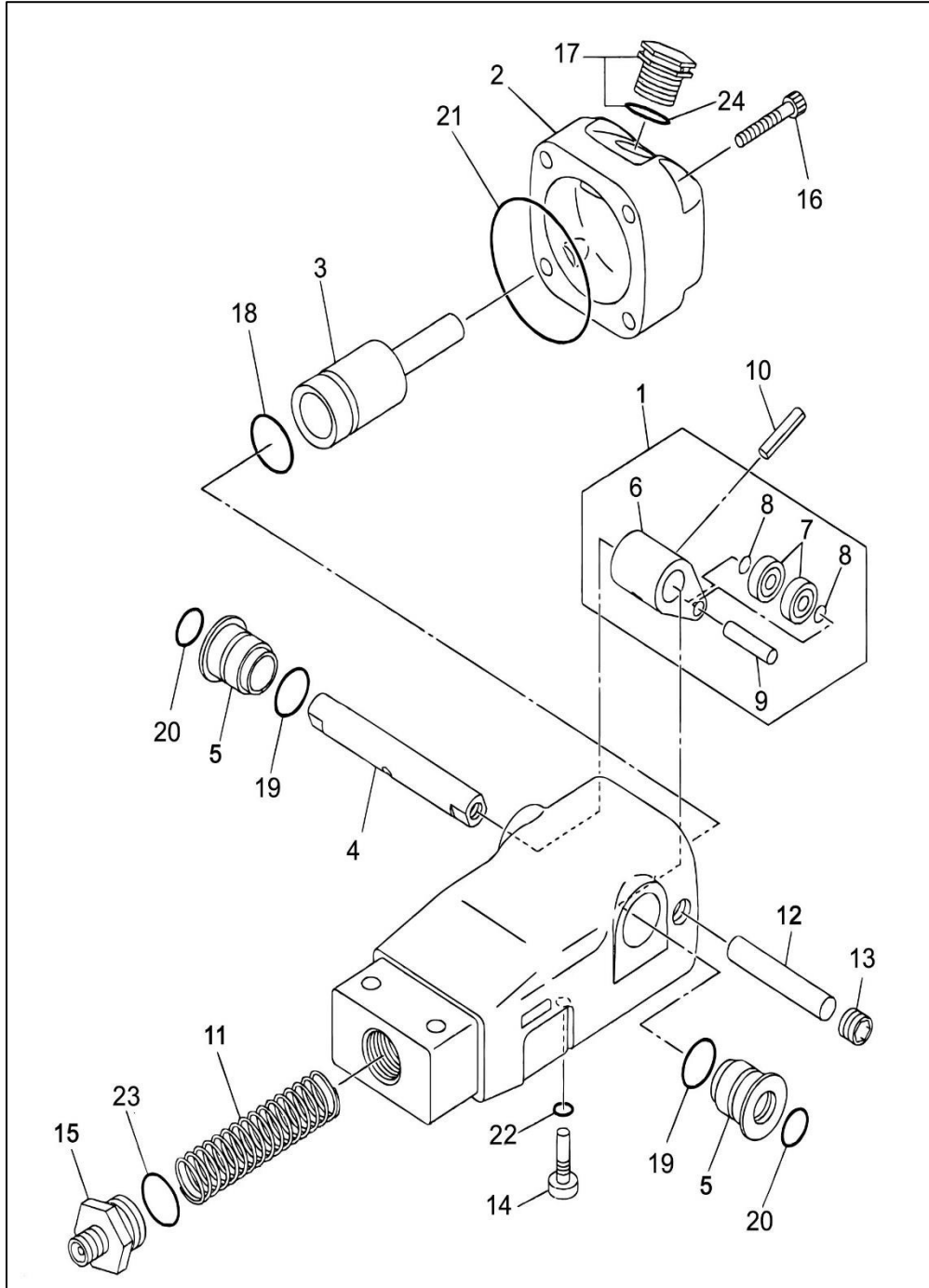
31	CPC-60-31C	COPPER PACKING 8X16X2	1
32	CPC-60-32C	ELBOW	1
33	CPC-60-33C	PULLEY	1
34	CPC-60-34C	KEY 7X7X19	1
35	CPC-60-35C	WASHER	1
36	CPC-60-36C	SOCKET HEAD BOLT M8X15T	1
37	CPC-60-37C	BELT COVER	1
38	CPC-60-38C	SOCKET HEAD BOLT M6X40T	5
39	CPC-60-39C	BOLT M10X30T	2
40	CPC-60-40C	BOLT M10X100T	6



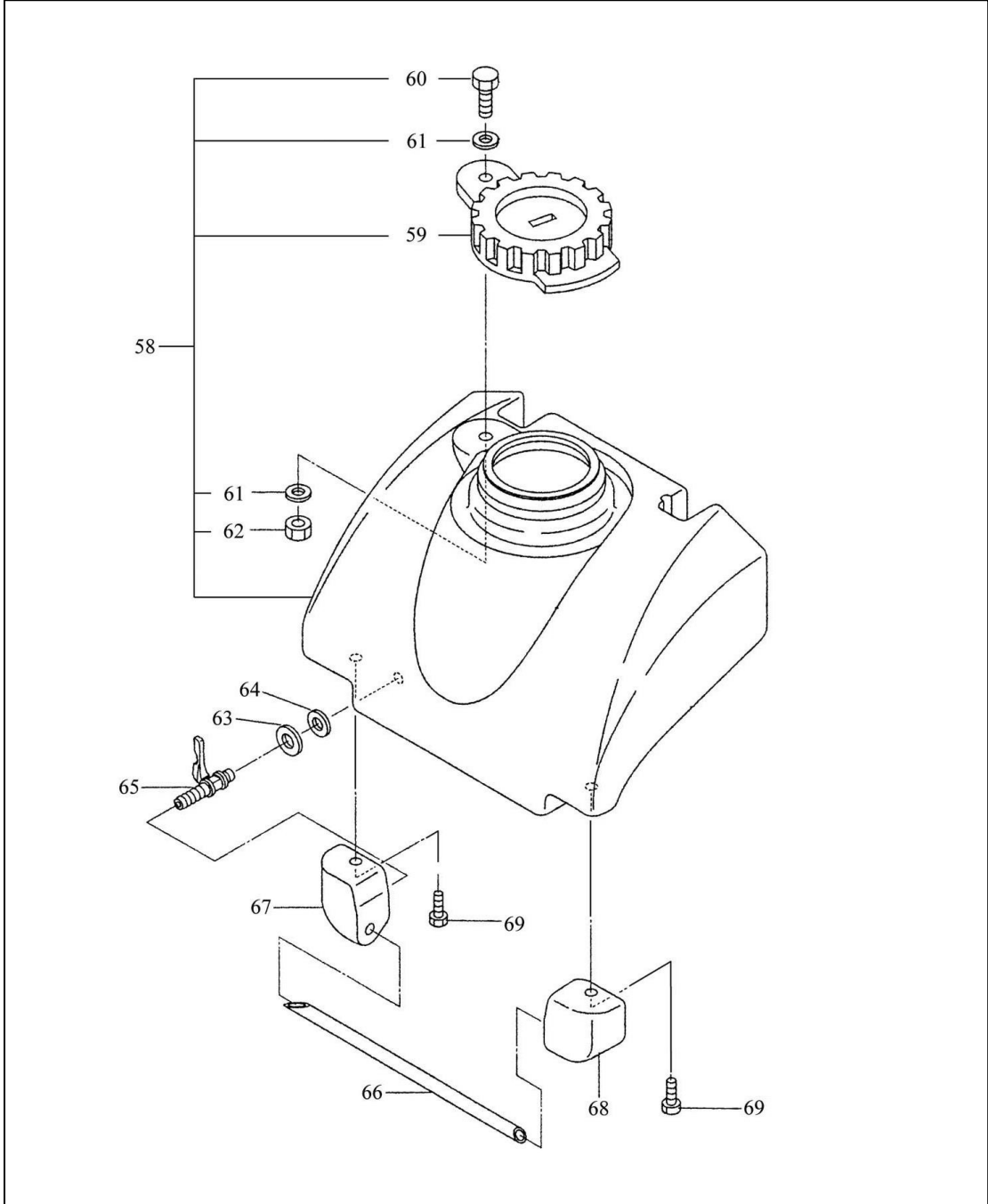


<b>CONTROL</b>			
<b>S/NO</b>	<b>PART NO</b>	<b>DESCRIPTION</b>	<b>QTY</b>
1	CPC-60-1D	THROTTLE LEVER ASSEMBLY	1
2	CPC-60-2D	THROTTLE WIRE	1
3	CPC-60-3D	HANDLE UPPER AY	1
4	CPC-60-4D	HANDLE LOWER AY	1
5	CPC-60-5D	BOLT M16X145T	1
6	CPC-60-6D	PW M16	2
7	CPC-60-7D	CONICAL SPRING VASHER M16	2
8	CPC-60-8D	NUT M16	2
9	CPC-60-9D	SHOCK ABSORBER, STOPPER	1
10	CPC-60-10D	NUT M10	1
11	CPC-60-11D	SW M10	1
12	CPC-60-12D	HAND PUMP ASSEMBLY	1
13	CPC-60-13D	TRAVEL LEVER	1
14	CPC-60-14D	SOCKET HEAD BOLT M10X20T	2
15	CPC-60-15D	COLLAR	1
16	CPC-60-16D	WAVE WASHER 15.5X20X0.3	4
17	CPC-60-17D	PUMP HOLDER M8X50T	2
18	CPC-60-18D	NYLON NUT M8	2
19	CPC-60-19D	SW M8	2
20	CPC-60-20D	OIL HOSE	1
21	CPC-60-21D	BOLT M8X20T	2
22	CPC-60-22D	SW M8	2
23	CPC-60-23D	BREATHER CAP	1
24	CPC-60-24D	HANDLE BRACKET ( L )	1
25	CPC-60-25D	HANDLE BRACKET ( R )	1
26	CPC-60-26D	STOPPER	1
27	CPC-60-27D	SPRING	1
28	CPC-60-28D	SPRING PIN 2.5X16	1
29	CPC-60-29D	BOLT M10X30T	4
30	CPC-60-30D	SW M10	4
31	CPC-60-31D	HANDLE GRIP	1

32	CPC-60-32D	BOLT M6X25T	2
33	CPC-60-33D	SW M6	2
34	CPC-60-34D	PW M6	2



<b>HAND PUMP ASSEMBLY</b>			
<b>S/NO</b>	<b>PART NO</b>	<b>DESCRIPTION</b>	<b>QTY</b>
1	CPC-60-1E	CAN COMP (PUMP)	1
2	CPC-60-2E	COVER (HAND PUMP)	1
3	CPC-60-3E	PISTON CP	1
4	CPC-60-4E	CONTROL SHAFT (PUMP)	1
5	CPC-60-5E	BUSH	2
6	CPC-60-6E	CAN (PUMP)	1
7	CPC-60-7E	BEARING 607ZZ	2
8	CPC-60-8E	SPACER	2
9	CPC-60-9E	PIN 7X30	1
10	CPC-60-10E	SPRING PIN	1
11	CPC-60-11E	SPRING (PUMP)	1
12	CPC-60-12E	STOPPER (PUMP)	1
13	CPC-60-13E	PLUG	1
14	CPC-60-14E	STOP PLUG	1
15	CPC-60-15E	HOSE JOINT	1
16	CPC-60-16E	SOCKET HEAD BOLT M6X35T	4
17	CPC-60-17E	BEREATHER (PUMP)	1
18	CPC-60-18E	O-RING G-25	1
19	CPC-60-19E	O-RING P-20	2
20	CPC-60-20E	O-RING P-15	2
21	CPC-60-21E	O-RING S-67	1
22	CPC-60-22E	O-RING S-8	1
23	CPC-60-23E	O-RING S-22	1
24	CPC-60-24E	O-RING P-18	1



<b>WATER TANK (OPTION)</b>			
<b>S/NO</b>	<b>PART NO</b>	<b>DESCRIPTION</b>	<b>QTY</b>
58	CPC-60-1F	WATER TANK ASSEMBLY	1
59	CPC-60-2E	CAP, WATER TANK	1
60	CPC-60-3E	BOLT M10×30	1
61	CPC-60-4E	WASHER 10.5×21×2	2
62	CPC-60-5E	NYLON NUT M10	1
63	CPC-60-6E	WASHER 14.5×30×1.6	1
64	CPC-60-7E	PACKING 13×28×2	1
65	CPC-60-8E	COCK	1
66	CPC-60-9E	SPRINKLING PIPY	1
67	CPC-60-10E	PIPE HOLDER LEFT	1
68	CPC-60-11E	PIPE HOLDER RIGHT	1
69	CPC-60-12E	PLANGE BOLT M8×25	2