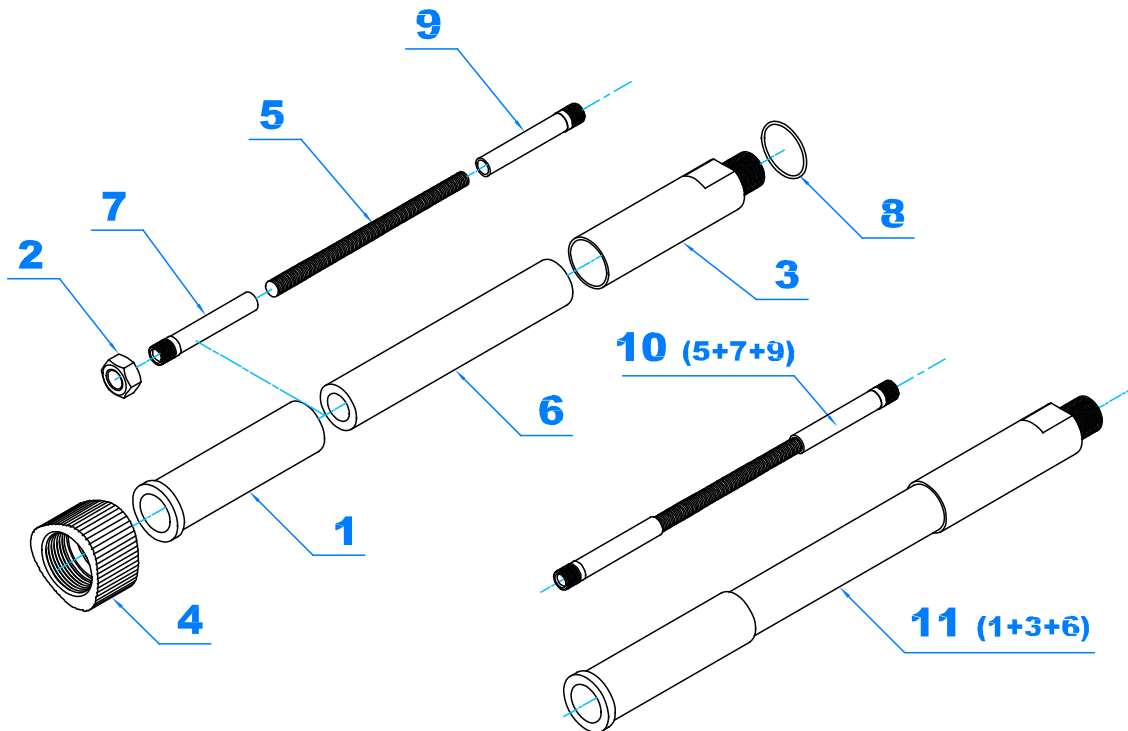




World Leader  
in Concrete Vibrators

### Review 3 . From serial number nr. 12515801

FLEXIBLE SHAFT TAX-E REV 1 0.7M,1M,1.5M,2M,3M,4M,5



	<b>ARTICLE</b>	<b>DESCRIPTION</b>	<b>QUANTITY</b>
<b>1</b>	<b>96502</b>	MOTOR JOINT	1.0000
<b>2</b>	<b>102215</b>	HEXAGONAL NUT M11×1 DIN 934 8.8	1.0000
<b>3</b>	<b>97402</b>	POKER JOINT	1.0000
<b>4</b>	<b>96512</b>	NUT	1.0000
<b>6</b>	<b>96603</b>	HOSE 3m.	1.0000
<b>7</b>	<b>96523</b>	MOTOR CONNECTION	1.0000
<b>8</b>	<b>101865</b>	O-RING 17×1,5	1.0000
<b>9</b>	<b>96533</b>	CONNECTION FINGER	1.0000
<b>11</b>	<b>97212-1</b>	HOSE E 3m.	1.0000