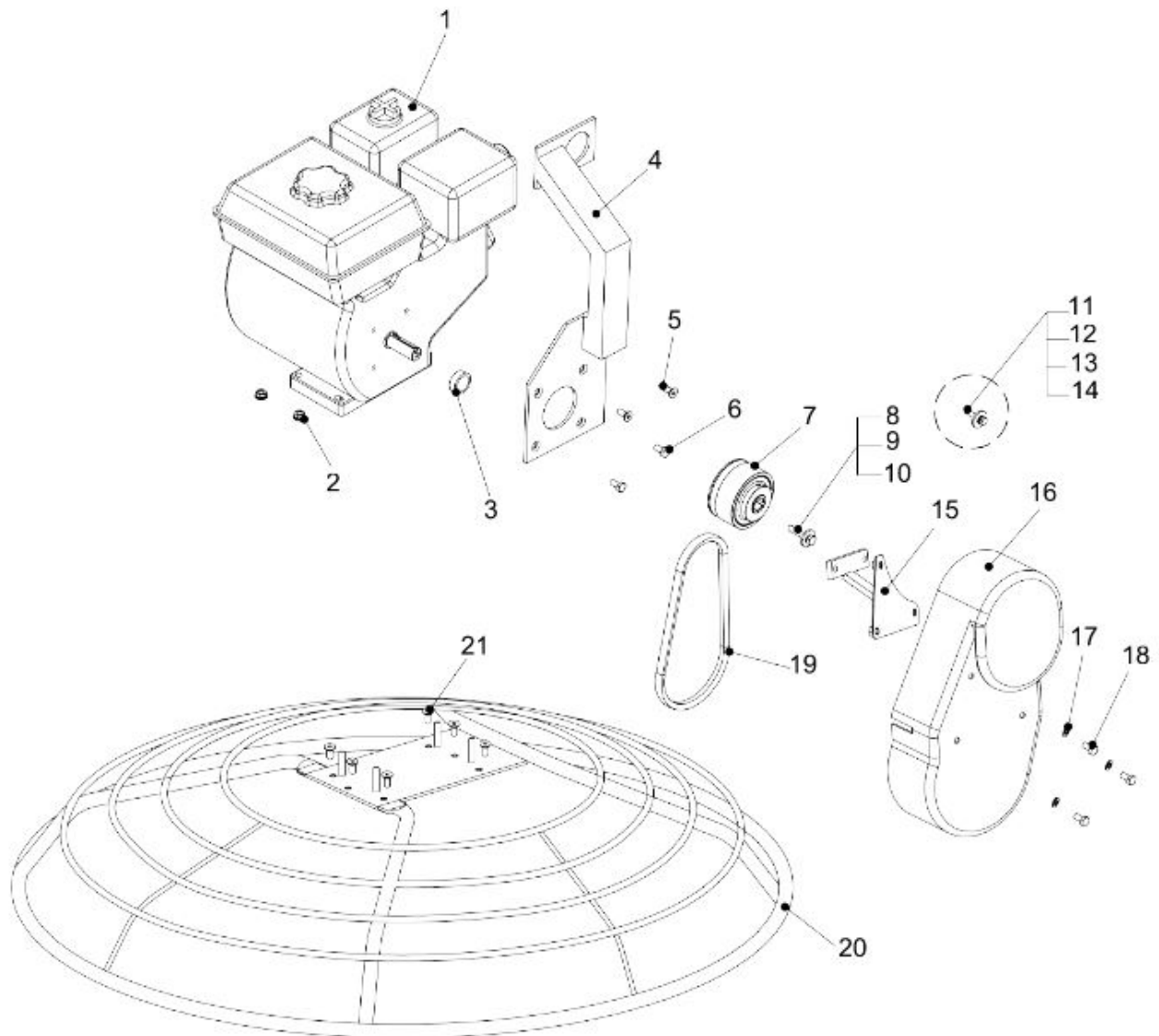




World Leader
in Concrete Vibrators

Review 0

TIFON1201 - MAIN SET



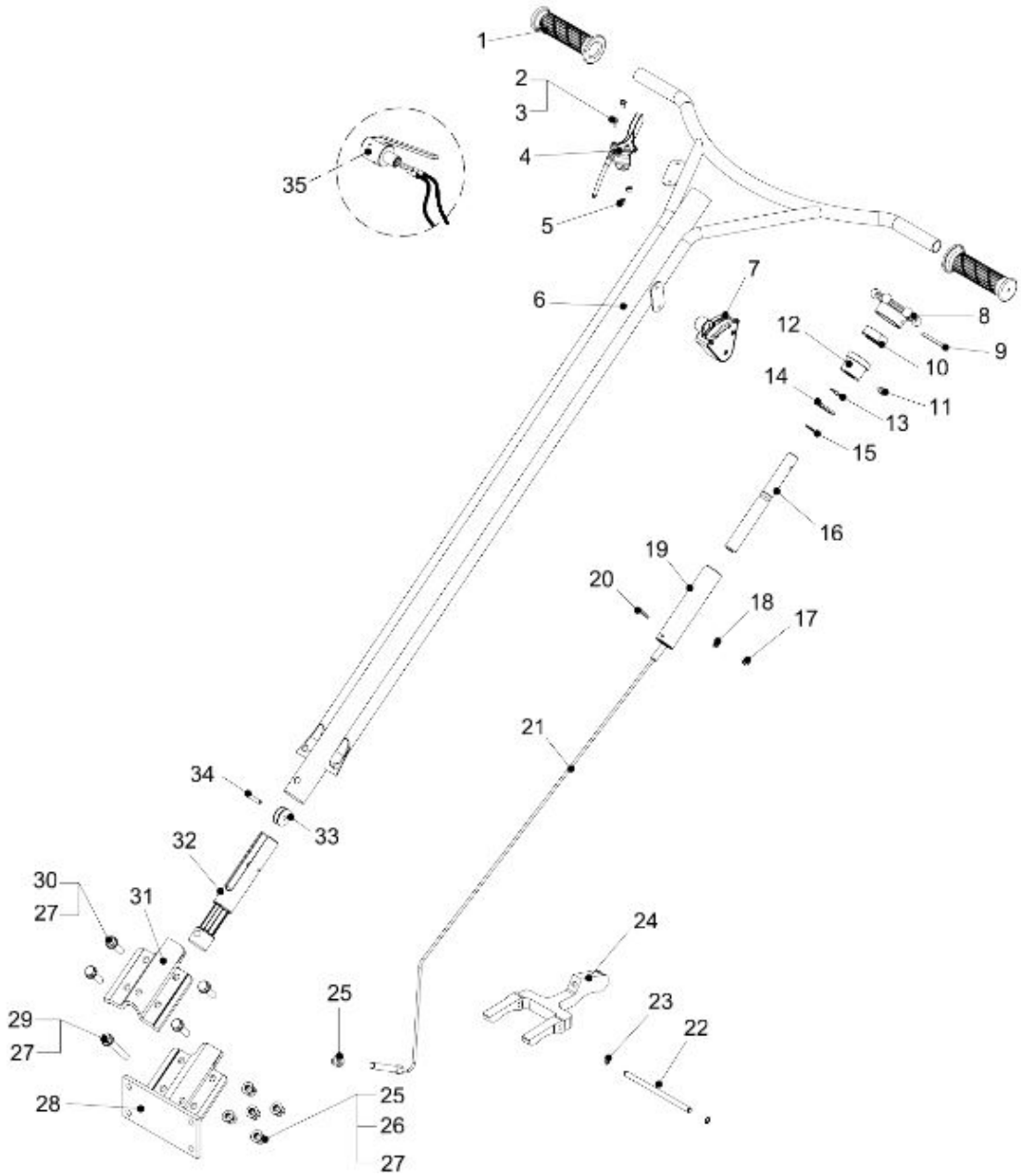
ARTICLE	DESCRIPTION	QUANTITY
1	104457 ENGINE HONDA UT2 GX270 QXQ4	1.0000
2	5RVL0477 HEXAGONAL FLAG NUT M10	4.0000
3	5RVL0478 ENGINE SPACER SLEEVE	1.0000
4	5RVL0479 MOTOR SUPPORT PLATE	1.0000
5	5RVL0480 COUNTERSUNK ALLEN HEAD 5/16-24x4,5"	2.0000
6	5RVL0481 HEX BOLT 5/16-24x1"	2.0000
7	5RVL0024 CLUTCH Ø25.4 TIFON1201	1.0000
8	5RVL0472 SIX ANGLE BOLT 7/16-20x1,375	1.0000
9	5RVL0473 FLAT WASHER Ø12xØ30x3	1.0000
10	5RVL0298 SPRING WASHER Ø12	1.0000
11	5RVL0114 SIX ANGLE BOLT M8x60	1.0000
12	5RVL0115 FLAT WASHER Ø10xØ45x3	1.0000
13	5RVL0197 SPRING WASHER Ø8	1.0000
14	5RVL0135 FLAT WASHER Ø8	1.0000
15	5RVL0474 BELT COVER BRACKET	1.0000
16	5RVL0042 BELT GUARD	1.0000
17	5RVL0366 HEX BOLT M8x55	4.0000
18	5RVL0475 SIX ANGLE BOLT M8x16	3.0000
19	5RVL0044 BELT BX29	1.0000
20	5RVL0482 CAGE TIFON1201	1.0000
21	5RVL0476 COUNTERSUNK ALLEN HEAD M10x20	6.0000



World Leader
in Concrete Vibrators

Review 0

TIFON1201 - HANDLE



	ARTICLE	DESCRIPTION	QUANTITY
1	5RVL0134	RUBBER HANDLE	2.0000
2	5RVL0439	CROSS SLOTTED SMALL CAP SCREW M4x12	2.0000
3	5RVL0087	FLAT MAT Ø4	2.0000
4	T10008	ACCELERATOR SET TSA-01	1.0000
5	5RVL0409	LOCK NUT M4	2.0000
6	5RVL0440	HANDLEBAR	1.0000
7	5RVL0046	FLAMEOUT SWITCH PSA-01	1.0000
8	5RVL0056	BLADES ADJUSTMENT KNOB	1.0000
9	5RVL0057	ELASTIC PIN Ø5x50	1.0000
10	5RVL0058	BALL THRUST BEARING 51204	1.0000
11	5RVL0059	ALLEN BOLT M6x10	1.0000
12	5RVL0060	ALUMINIUM SLEEVE	1.0000
13	5RVL0061	WAVE WASHER Ø19	1.0000
14	5RVL0062	FLAT WASHER Ø19xØ34x3	1.0000
15	5RVL0063	SHAFT Ø19	1.0000
16	5RVL0064	ADJUSTING SCREW ROD	1.0000
17	5RVL0065	SOCKET CAP SCREW M6x8	1.0000
18	5RVL0066	SPRING WASHER Ø6	1.0000
19	5RVL0067	ADJUSTMENT BAR COVER	1.0000
20	5RVL0068	ELASTIC CYLINDRICAL PIN Ø6x35	1.0000
21	5RVL0069	ADJUSTING TIGHTWIRE L=1340mm	1.0000
22	5RVL0441	FORK PIN Ø10	1.0000
23	5RVL0442	SHAFT Ø10	2.0000
24	5RVL0443	FORK HT250	1.0000
25	5RVL0070	LOCKNUT M10	10.0000
26	5RVL0139	SPRING WASHER Ø10	13.0000
27	5RVL0140	FLAT WASHER Ø10	16.0000
28	5RVL0444	LOWER SPLINT	1.0000
29	5RVL0445	HEX BOLT M10x75	1.0000
30	5RVL0446	HEX BOLT M10x35	4.0000
31	5RVL0447	TOP SPLINT	1.0000
32	5RVL0448	ALUMINIUM FORK	1.0000
33	5RVL0449	PULLEY 25#	1.0000

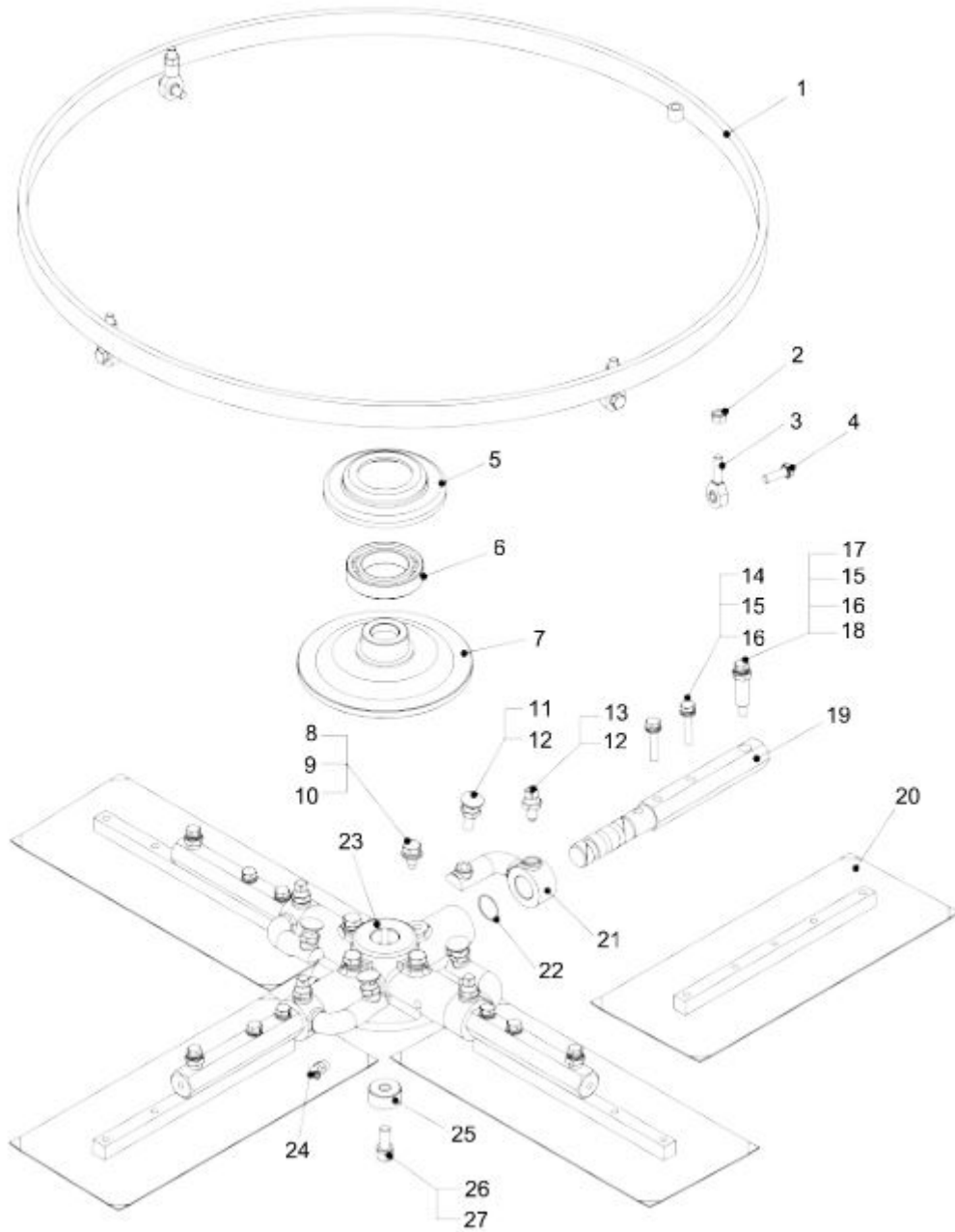
	ARTICLE	DESCRIPTION	QUANTITY
34	5RVL0450	CYLINDRICAL PIN Ø6x35	1.0000
35	5RVL0004	SAFETY LEVER	1.0000



World Leader
in Concrete Vibrators

Review 0

TIFON1201 - ARMS SET



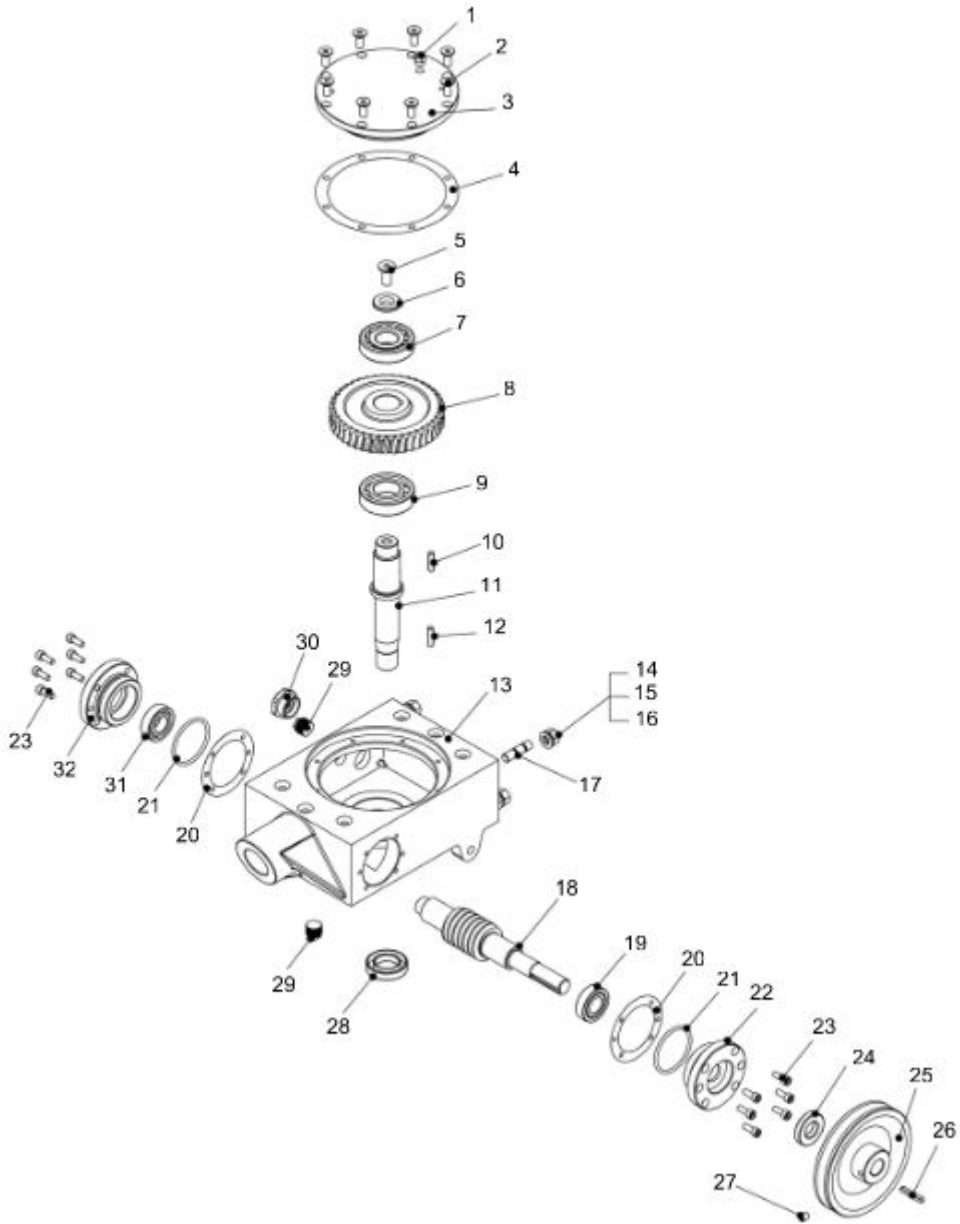
ARTICLE	DESCRIPTION	QUANTITY
1	5RVL0464 BLADE ARM FIXING RING	1.0000
2	5RVL0041 NUT M8	4.0000
3	5RVL0077 BALL JOINT S&B	4.0000
4	5RVL0040 HEX BOLT M8x25	4.0000
5	5RVL0285 PUSHER PLATE	1.0000
6	5RVL0286 DEEP GROOVE BALL BEARING 6209-2RS	1.0000
7	5RVL0287 PRESSURE PLATE	1.0000
8	5RVL0465 BLADE ARM HEAD BOLT M10x20(8.8)	4.0000
9	5RVL0139 SPRING WASHER Ø10	13.0000
10	5RVL0140 FLAT WASHER Ø10	18.0000
11	5RVL0290 HALF ROUND HEAD SQUARE NECK BOLT M10x35	4.0000
12	5RVL0291 THIN NUT M10	8.0000
13	5RVL0467 SQUARE HEAD SCREW WITH GUIDE M10x30	4.0000
14	5RVL0085 SIX ANGLE BOLT M8x40	8.0000
15	5RVL0197 SPRING WASHER Ø8	12.0000
16	5RVL0135 FLAT WASHER Ø8	15.0000
17	5RVL0366 HEX BOLT M8x55	4.0000
18	5RVL0468 BLADE BOLT COVER 35#	4.0000
19	5RVL0164 BLADE ARM	4.0000
20	5RVL0003 SET OF 4 FINISHING BLADES TIFON Ø1200mm.	4.0000
21	5RVL0163 ELBOW PIPE	4.0000
22	5RVL0469 "O" RING Ø22x1.5	4.0000
23	5RVL0466 CROSS	1.0000
24	5RVL0022 GREASE FITTING M10x1x90°	4.0000
25	5RVL0470 COMPRESSION SET	1.0000
26	5RVL0471 HEX BOLT M12x35	1.0000
27	5RVL0298 SPRING WASHER Ø12	1.0000



World Leader
in Concrete Vibrators

Review 0

TIFON1201- GEARBOX



ARTICLE	DESCRIPTION	QUANTITY
1	5RVL0124 LOCK VALVE M10x1	1.0000
2	5RVL0451 SENKSCHEUBEN MIT INNENSECHKANT M8x20	8.0000
3	5RVL0067 ADJUSTMENT BAR COVER	1.0000
4	5RVL0094 BIG COVER PAPER WASHER	1.0000
5	5RVL0452 INSIDE SIX ANGLE SCREW M10x25	1.0000
6	5RVL0453 WORM-WHEEL SHAFT WASHER	1.0000
7	5RVL0275 TAPERED ROLLER BEARING 30306	1.0000
8	5RVL0161 WORM-WHEEL	1.0000
9	5RVL0454 DEEP GROOVE BALL BEARING 6207	1.0000
10	5RVL0455 FLAT WASHER 8x30	1.0000
11	5RVL0456 WORM-WHEEL SHAFT	1.0000
12	5RVL0187 FLAT KEY 6x30	1.0000
13	5RVL0160 REDUCING BOX COVER	1.0000
14	5RVL0070 LOCKNUT M10	10.0000
15	5RVL0139 SPRING WASHER Ø10	13.0000
16	5RVL0140 FLAT WASHER Ø10	18.0000
17	5RVL0142 DOUBLE HEAD BOLT M10x40	4.0000
18	5RVL0457 ENDLESS SCREW	1.0000
19	5RVL0150 TAPERED ROLLER BEARING 30204	1.0000
20	5RVL0458 SIDE COVER PAPER WAVE	2.0000
21	5RVL0459 "O" RING 55x3,5	2.0000
22	5RVL0460 THROUGH HOLE SIDE COVER	1.0000
23	5RVL0102 INSIDE SIX ANGLE SCREW M6x16	12.0000
24	5RVL0461 OIL SEAL Ø20xØ40x8	1.0000
25	5RVL0162 BELT PULLY	1.0000
26	5RVL0109 FLATA KEY 5x35	1.0000
27	5RVL0108 INSIDE SIX ANGLE SCREW M8x10	1.0000
28	5RVL0105 OIL SEAL Ø35xØ54x10	1.0000
29	5RVL0103 OIL BLOCKAGE R3/8-19	2.0000
30	5RVL0264 OIL WINDOW SCREW M27x1,5	1.0000
31	5RVL0462 DEEP GROOVE BALL BEARING 6204	1.0000
32	5RVL0463 WITHOUT HOLE SIDE COVER	1.0000