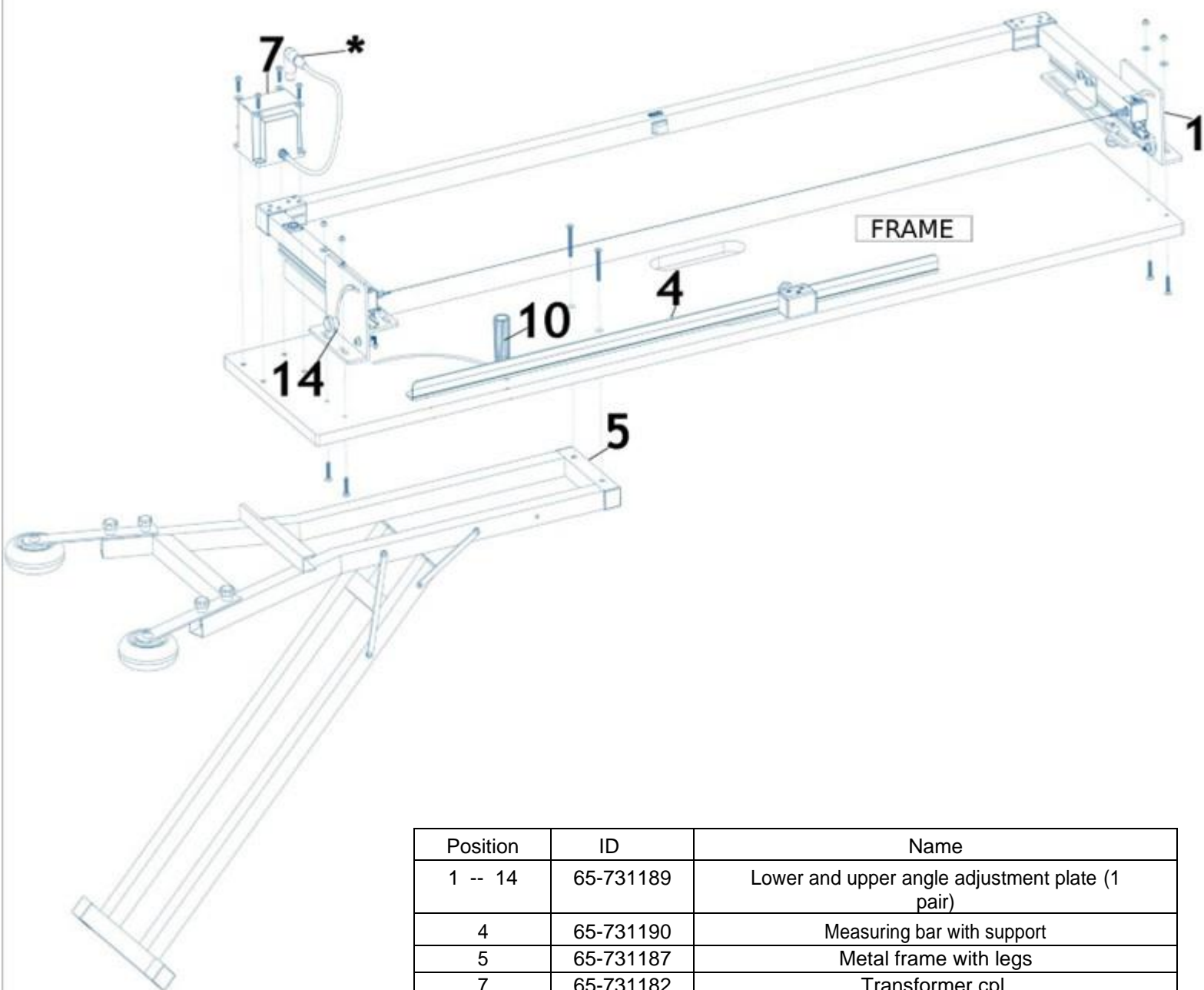
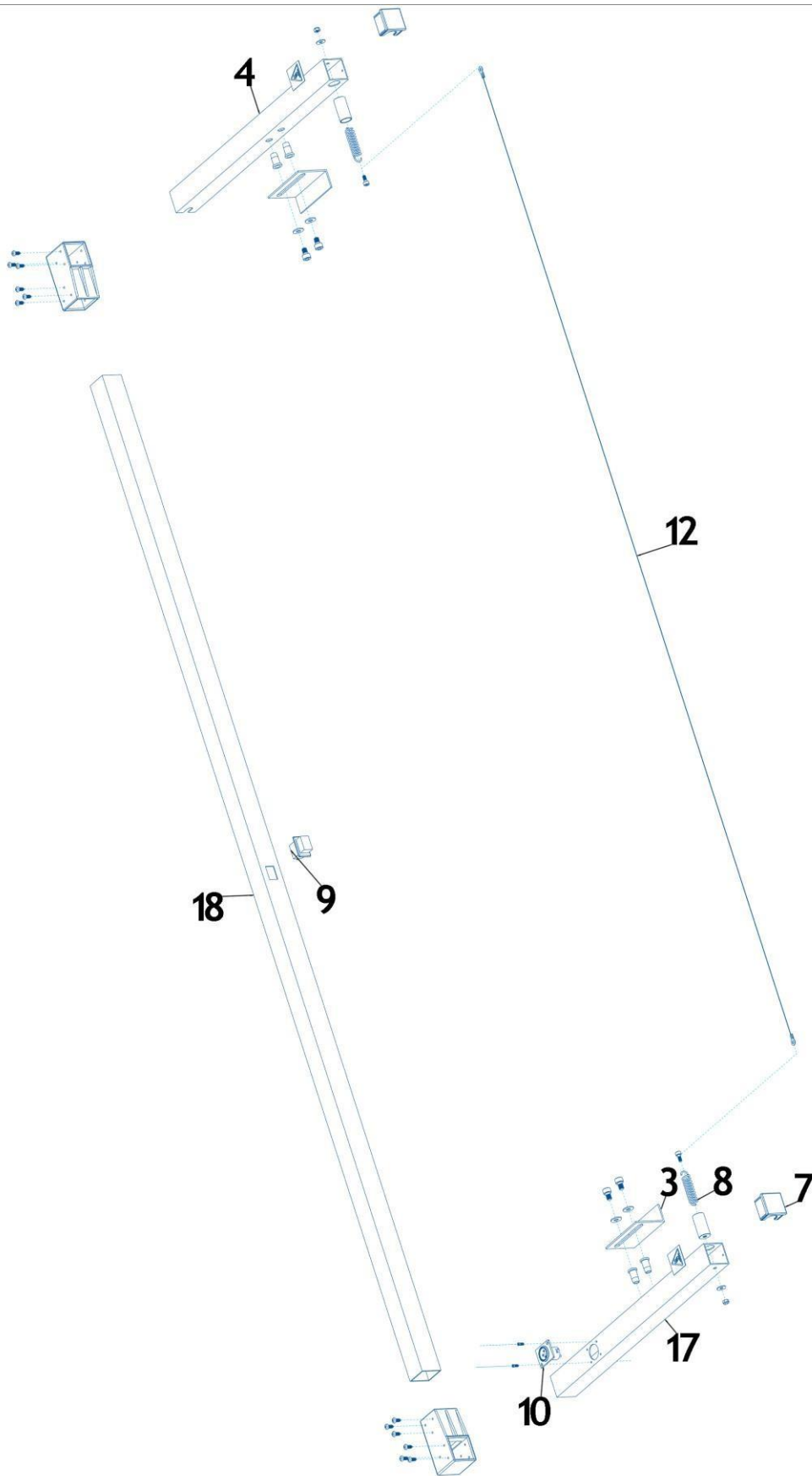


A



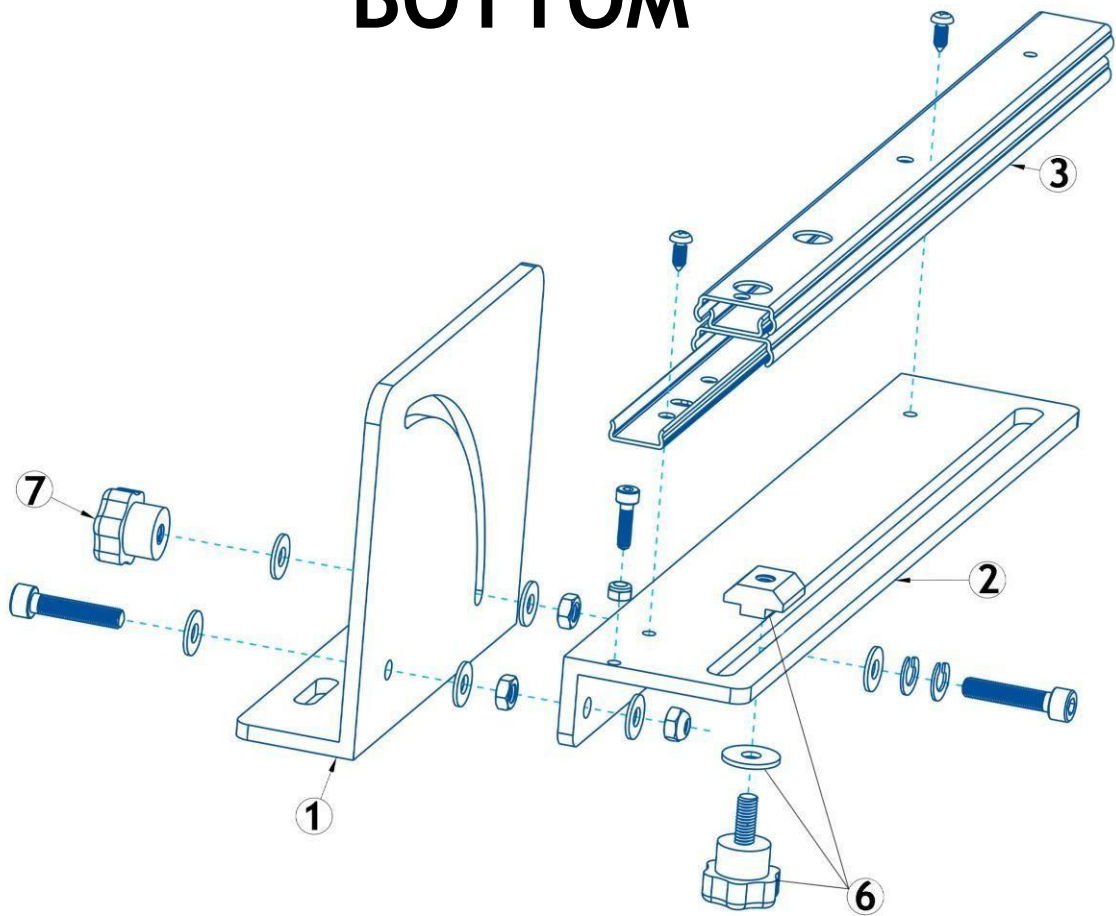
Position	ID	Name
1 -- 14	65-731189	Lower and upper angle adjustment plate (1 pair)
4	65-731190	Measuring bar with support
5	65-731187	Metal frame with legs
7	65-731182	Transformer cpl.
10	65-731196	Cylindrical clamp with nut and bolt cpl.
*	65-731185	Connector plug with plug socket cpl.
FRAME	65-731191	Frame

B



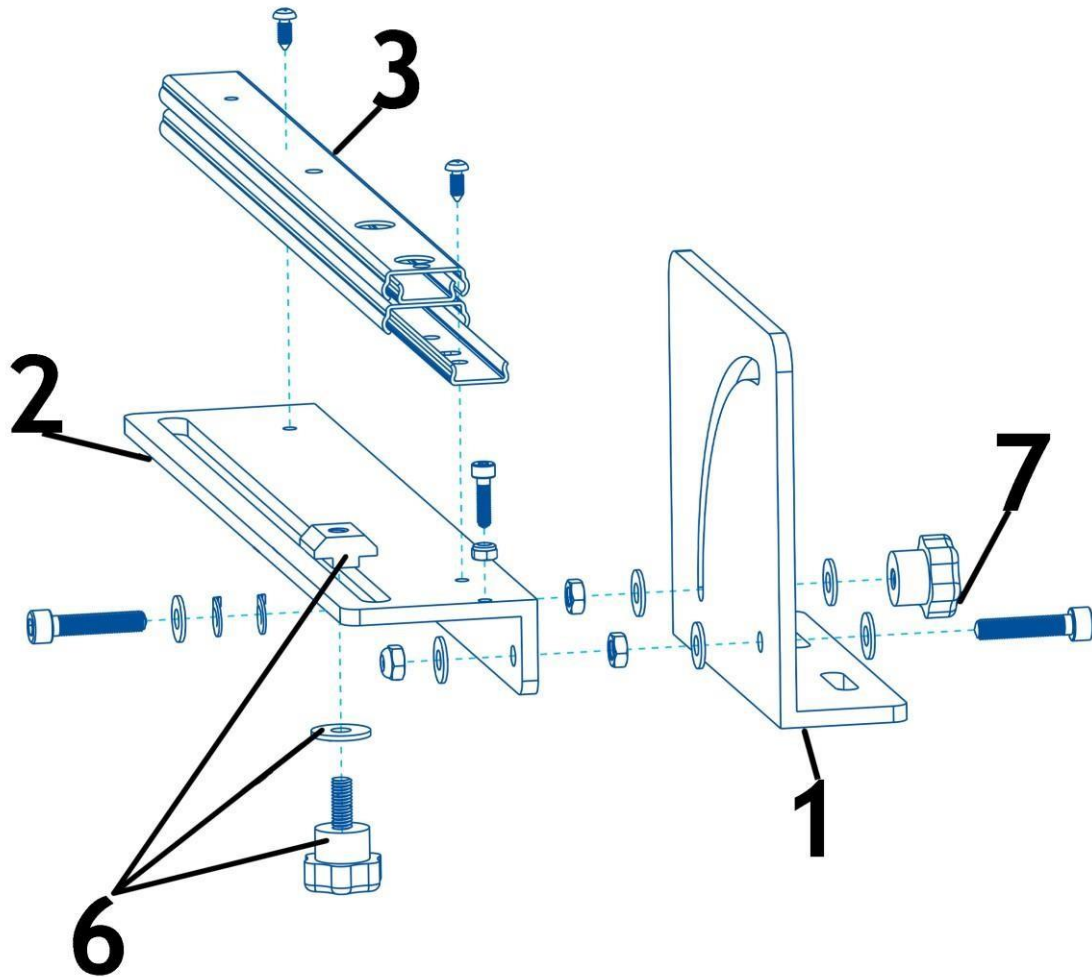
Position	ID	Name
3-4-7-8-9-17-18	65-731193	Frame complete (with switch, connectors, wire tension spring)
8	65-731186	Tension springs in pairs
9	65-731184	Main Switch
10	65-731185	Transformer connection socket
12	64-731213	Cutting wire

BOTTOM



Position	ID	Name
1	65-731189	Lower and upper angle adjustment plate (1 pair)
2	65-731192	Lower and upper rail support (1 pair)
3	65-731183	Rail
6	65-731195	Socket head screw with nut cpl.
7	65-731194	Nut

TOP



Position	ID	Name
1	65-731189	Lower and upper angle adjustment plate (1 pair)
2	65-731192	Lower and upper rail support (1 pair)
3	65-731183	Rail
6	65-731195	Socket head screw with nut cpl.
7	65-731194	Nut