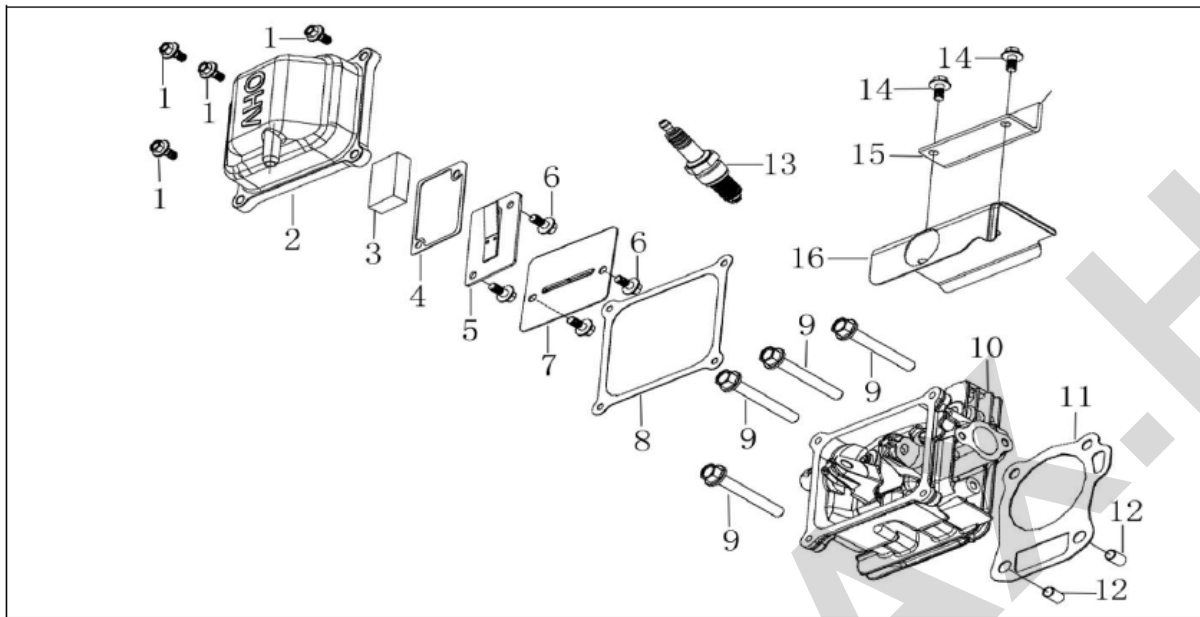
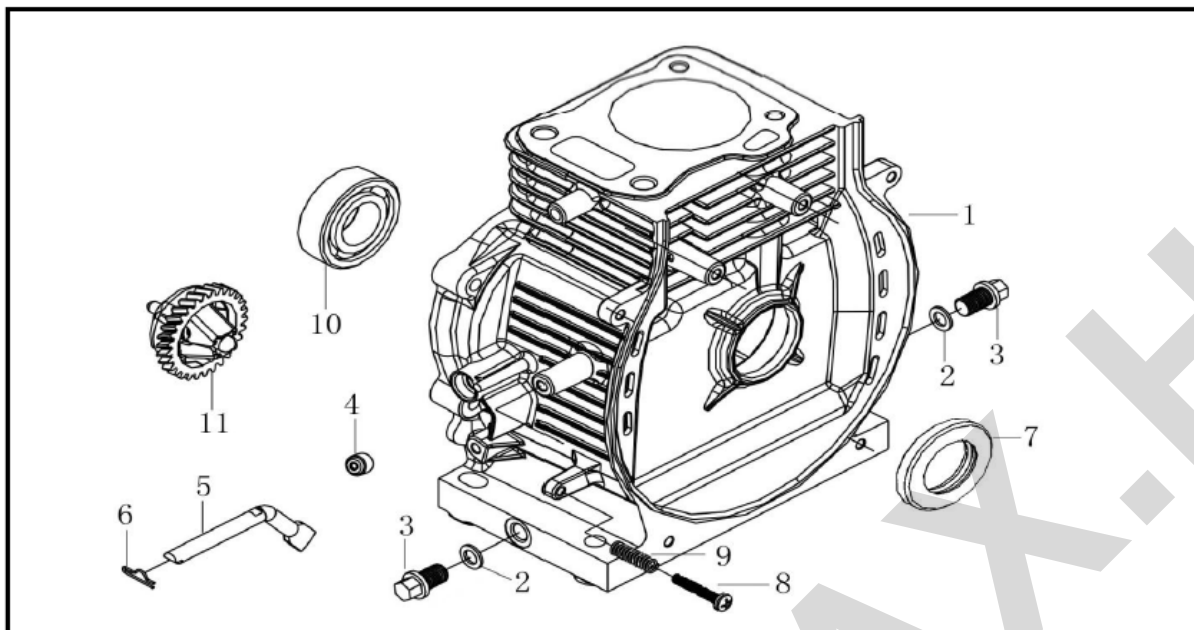


Loncin LC165F-3H



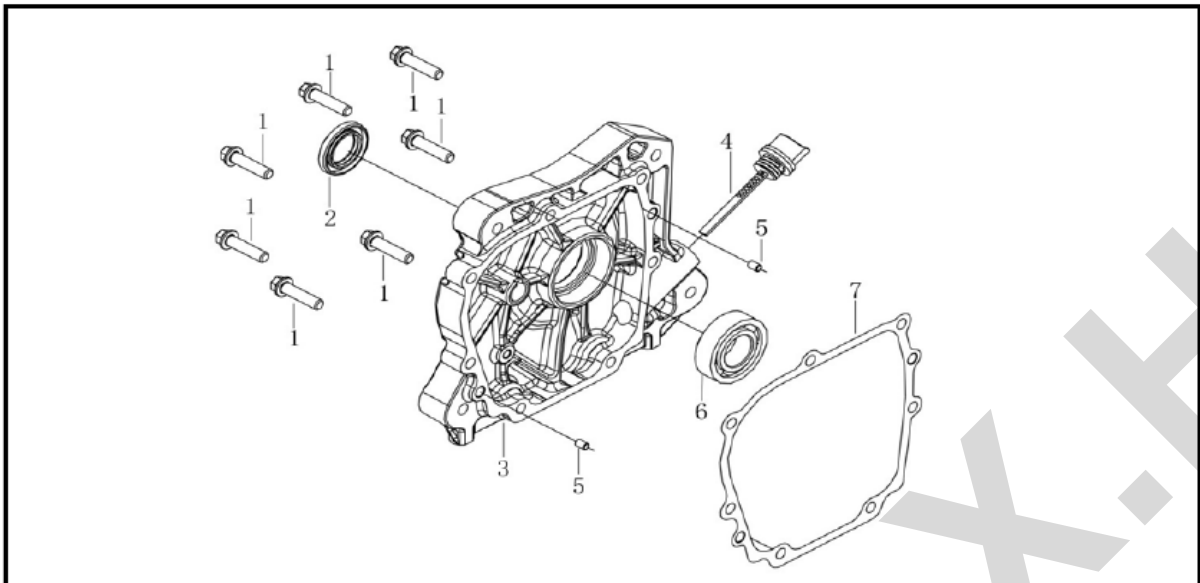
(CYLINDER HEAD)

No.	Part No.	Description	(Reqd. QTY)	Rendelhető
			LC165-3H	
1	380140077-0005	Hexagon bolt with flange	4	
2	120230201-0001	Cylinder head cover	1	
3	150290027-0001	Engine oil Strainer	1	Rendelhető
4	110850027-0001	PACKING, BREATHER CHAMBER	1	
5	110840044-0001	CAP, BREATHER CHAMBER	1	Rendelhető
6	380140332-0001	Hexagon bolt with flange	4	
7	120340006-0001	BAFFLE PLATE	1	
8	120250065-0001	Gasket for cylinder head cover	1	Rendelhető
9	380140336-0001	Hexagon bolt with flange	4	
10	120080744-0001	Cylinder head	1	Rendelhető
11	120150238-0001	Gasket for cylinder head	1	Rendelhető
12	380600117-0001	Location pin	2	
13	270960014-0001	Spark plug	1	Rendelhető
14	380140013-0005	Hexagon bolt with flange	2	
15	180990110-0001	Muffler bracket	1	
16	160190105-0001	air deflector	1	



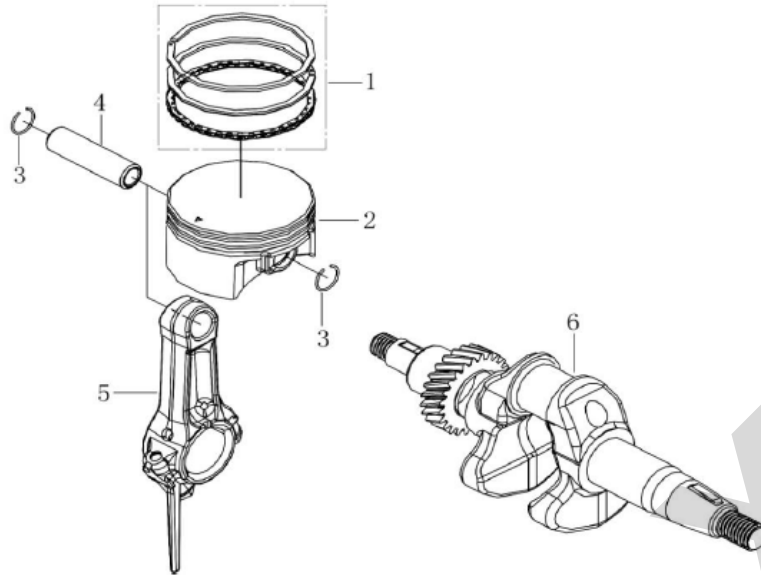
(CRANK CASE)

No.	Part No.	Description	(Reqd. QTY)	Rendelhető
			LC165-3H	
1	110810398-0001	Crankcase body	1	
2	380450514-0001	Flat washer	2	
3	110260025-0001	Sealing plug screw	2	
4	380650339-0001	Oil seal	1	
5	171630030-0001	Speed regulating arm	1	
6	381350004-0001	Pin clip	1	
7	380650347-0001	Oil seal	1	
8	380200017-0005	Cross recessed pan head screw	1	
9	171660010-0001	speed regulating Limit spring	1	
10	380630137-0002	Bearing	1	
11	171750038-0001	Components of governor gear	1	Rendelhető

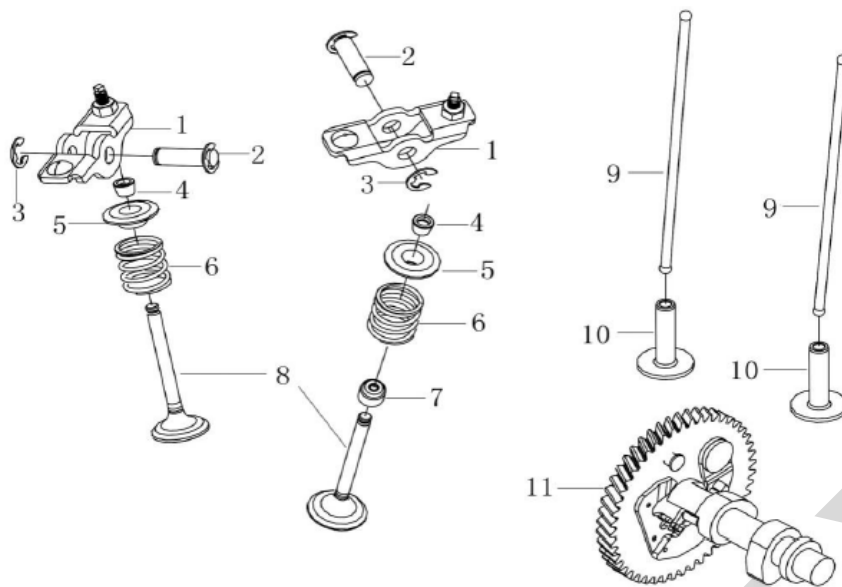


(CRANK CASE COVER)

No.	Part No.	Description	(Reqd. QTY)	Rendelhető
			LC165-3H	
1	380140028-0004	Hexagon bolt with flange	7	
2	380650347-0001	Oil seal	1	
3	110820262-0001	Crankcase cover	1	
4	110690064-0001	Oil rule combination	1	
5	380600120-0001	ocation pin	2	
6	380630137-0002	Bearing	1	
7	110830068-0001	Crankcase cover gasket	1	Rendelhető

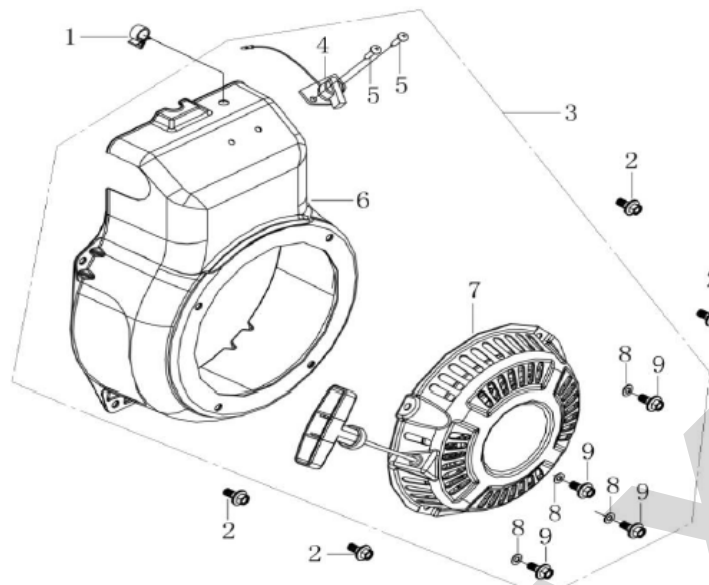


(CRANKSHAFT/PISTON)				
No.	Part No.	Description	(Reqd. QTY)	Rendelhető
			LC165-3H	
1	130070150-0001	Piston ring combination	1	Rendelhető
2	130030279-0001	Piston	1	Rendelhető
3	380560055-0001	Steel cable baffle ring	2	
4	130060030-0001	Piston pin	1	
5	130150131-0001	Connecting rod	1	Rendelhető
6	130290682-0001	crankshaft	1	



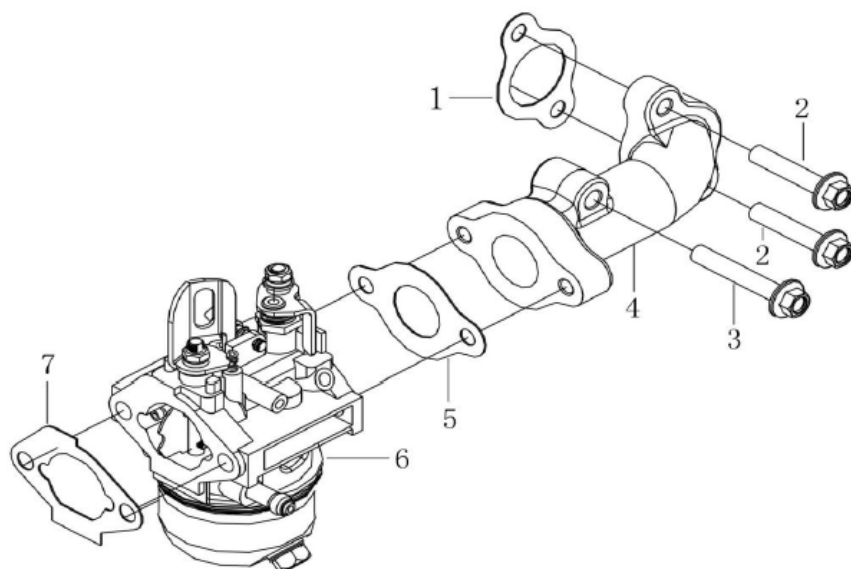
(GAS DISTRIBUTION ADJUSTMENT)

No.	Part No.	Description	(Reqd. QTY)	Rendelhető
			LC165-3H	
1	140450056-0001	Valve rocker combination	2	
2	141730001-0001	Valve rocker shaft	2	
3	380570024-0003	Split damping ring	2	
4	140390025-0001	Valve locker	4	
5	140380035-0001	Retainer, valve spring	2	
6	140340039-0001	Inner spring of valve	2	
7	140400016-0001	Valve oil seal	1	
8	500550092-0001	Valve Kit	1	Rendelhető
9	140670041-0001	Push rod	2	
10	140690003-0001	Lifter, Valve	2	
11	140020114-0001	Camshaft assy	1	Rendelhető



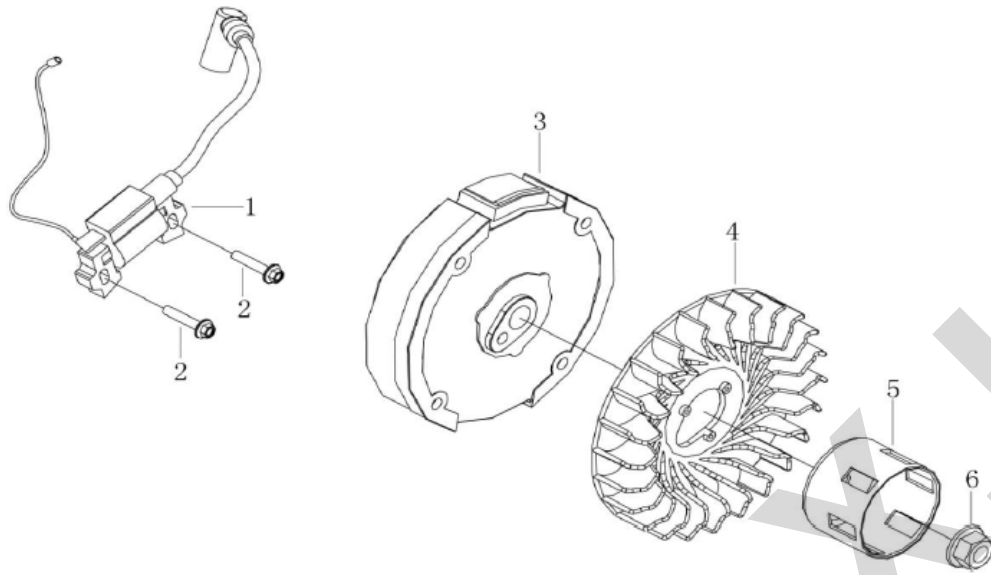
(STARTER SUBASSEMBLY)

No.	Part No.	Description	(Reqd. QTY)	Rendelhető
			LC165-3H	
1	380930024-0001	Location wire nail	1	
2	380140037-0003	Hexagon bolt with flange	4	
3	193490424-0002	Manual starting assembly	1	
4	271660068-0001	Stop switch	1	
5	380200008-0005	Cross recessed pan head screw	2	
6	160210132-T218	Fan cover	1	
7	193500137-0001	Manual starting components	1	Rendelhető
8	380450531-0001	Flat washer	4	
9	380140531-0001	Hexagon bolt with flange	4	

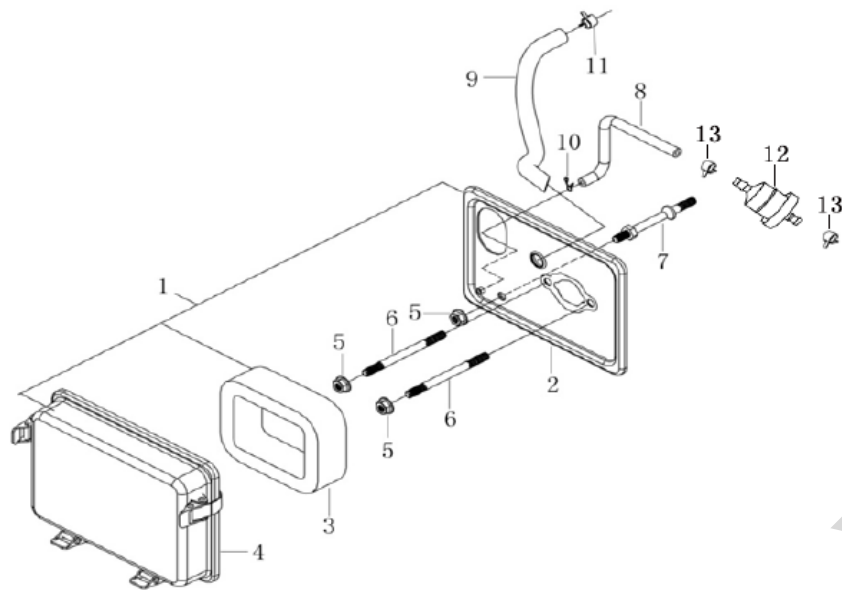


(CARBURETOR)

No.	Part No.	Description	(Reqd. QTY)	Rendelhető
			LC165-3H	
1	170430201-0001	Carburetor gasket	1	
2	380140103-0004	Hexagon bolt with flange	2	
3	380140054-0003	Hexagon bolt with flange	1	
4	180420712-0001	Intake pipe	1	
5	170430202-0001	Carburetor gasket	1	
6	170022273-0001	Carburetor	1	Rendelhető
7	170430203-0001	Carburetor gasket	1	

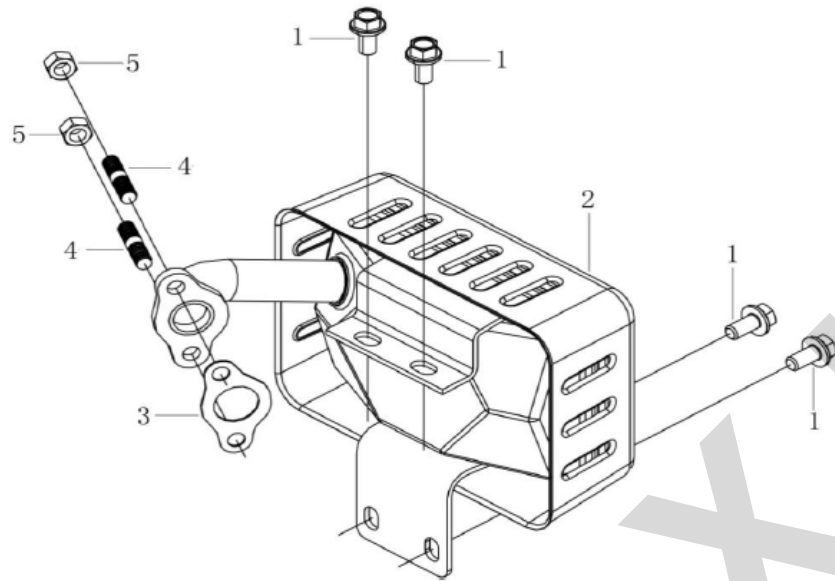


FLYWHEEL/COIL ASSY				
No.	Part No.	Description	(Reqd. QTY)	Rendelhető
			LC165-3H	
1	270920403-0001	COIL ASSY.,IGNNTION	1	Rendelhető
2	380140103-0004	Hexagon bolt with flange	2	
3	270020097-0001	FLYWHEEL COMP	1	
4	160180007-0001	Impeller	1	
5	193590005-0001	Starting disc	1	
6	380370051-0001	Hexagon nut with flange	1	

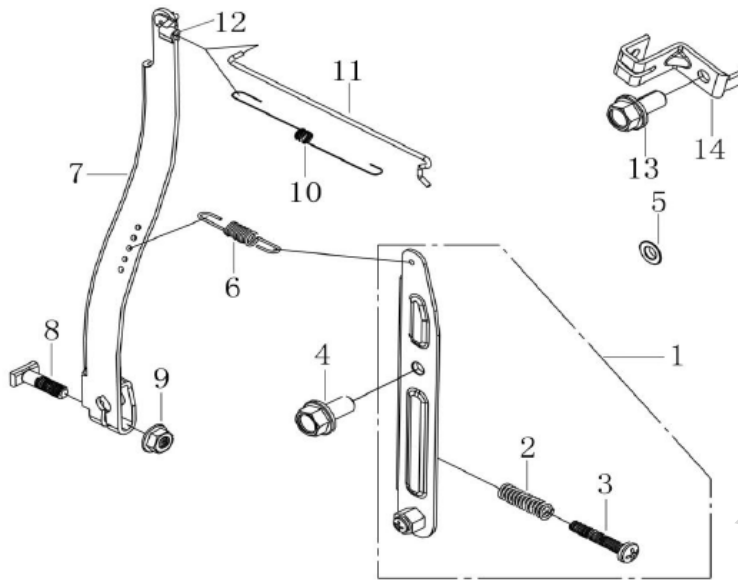


AIR CLEANER

No.	Part No.	Description	(Reqd. QTY)	Rendelhető
			LC165-3H	
1	180020873-0001	Air filter	1	Rendelhető
2	180280130-T218	Air filter seat	1	
3	180100111-0001	Air filter element combination	1	Rendelhető
4	180070240-T218	Air filter casing cover	1	
5	380370048-0001	Hexagon nut with flange	3	
6	380180174-0001	Stud	2	
7	380850026-0001	Stay stud	1	
8	380741344-0002	Breather tube	1	
9	380741343-0002	Breather tube	1	
10	380950188-0001	Pipe clip	1	
11	380960120-0004	Clip combination	1	
12	170010046-0001	Fuel filter	1	
13	380960136-0002	Clip combination	2	



(MUFFLER)				
No.	Part No.	Description	(Reqd. QTY)	Rendelhető
			LC165-3H	
1	380140040-0005	Hexagon bolt with flange	4	
2	180572207-0001	Muffler	1	
3	180650124-0001	Outlet gasket	1	
4	380180098-0001	Stud	2	
5	380340005-0005	Hexagon nut	2	



CONTROL SYSTEM

No.	Part No.	Description	(Reqd. QTY)	Rendelhető
			LC165-3H	
1	171680143-0001	Throttle handle combination	1	
2	171660010-0001	speed regulating Limit spring	1	
3	380200017-0005	Cross recessed pan head screw	1	
4	380140013-0005	Hexagon bolt with flange	1	
5	380823322-0001	Bushing	1	
6	171600104-0001	Governing spring	1	
7	171620047-0002	Speed regulating bracket	1	
8	380250002-0001	Square head set screw with flat	1	
9	380370066-0001	Hexagon nut with flange	1	
10	171610034-0001	throttle return spring	1	
11	171590036-0001	Throttle rod	1	
12	173090001-0001	Locker of choke valve pull rod	1	
13	380140037-0003	Hexagon bolt with flange	1	
14	171710015-0001	Throttle cable pressing plate	1	