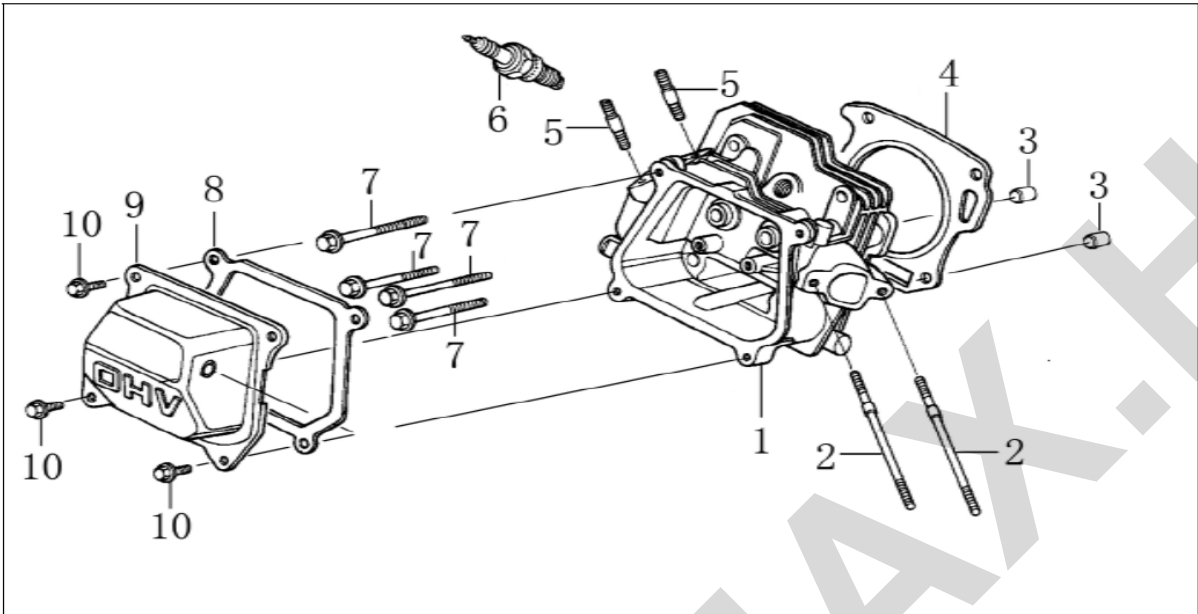
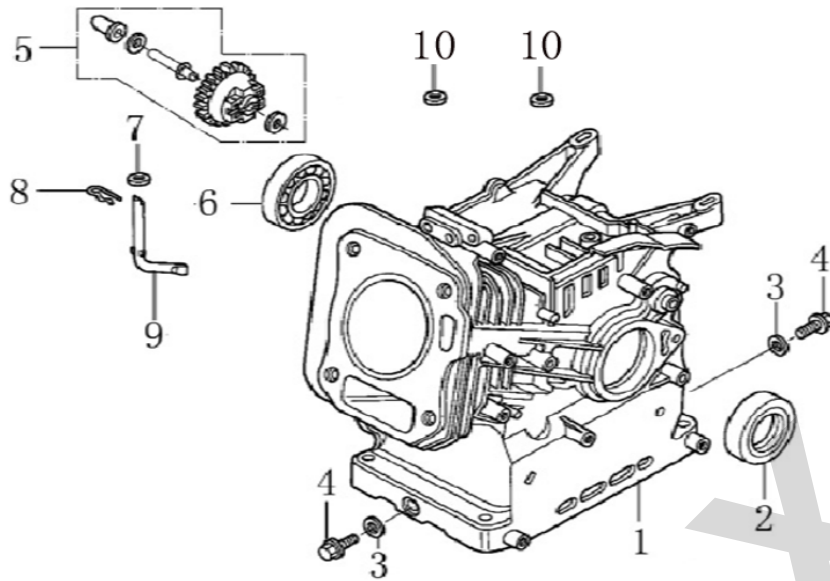


Loncin LC168F-2H

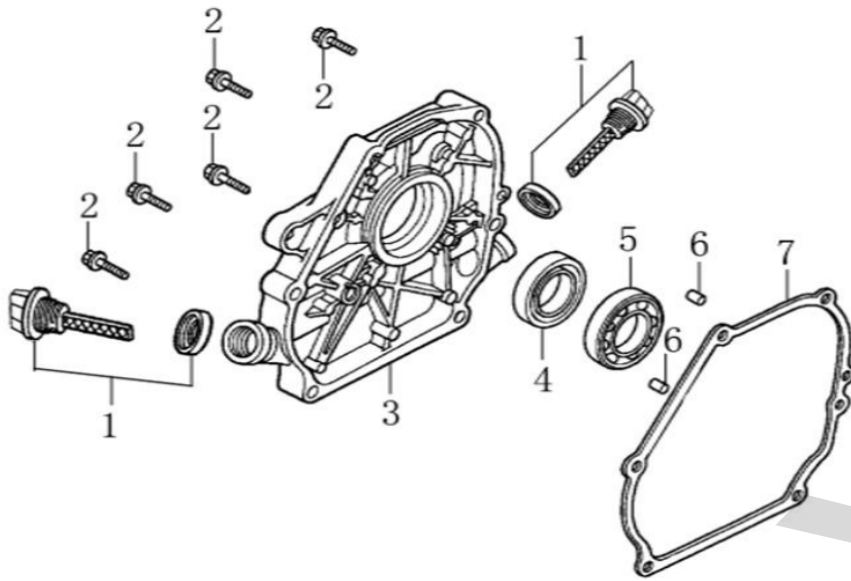


(CYLINDER HEAD)

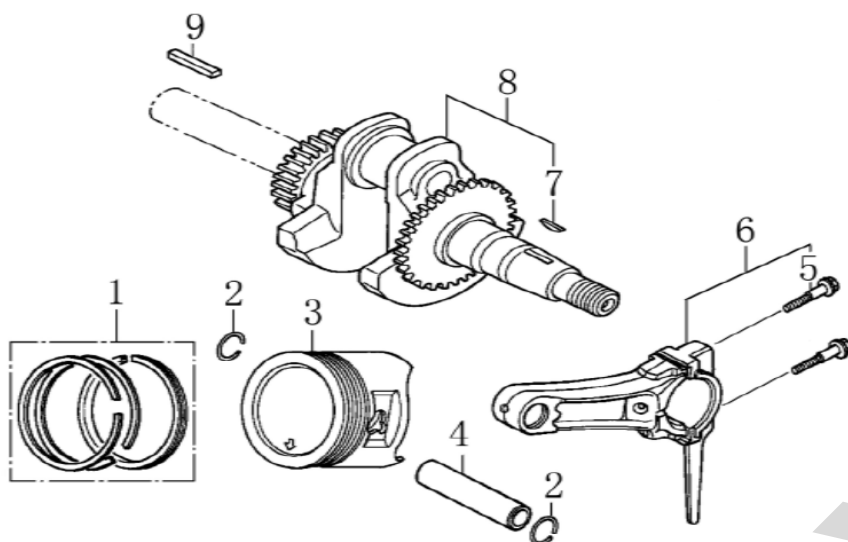
No.	Part No.	Description	(Reqd. QTY)	Rendelhető
			LC168-2H	
1	120080280-0001	HEAD COMP.,CYLINDER	1	Rendelhető
2	380180093-0001	BOLT,STUD,IN.	2	
3	380600117-0001	PIN , DOWEL	2	
4	120150070-0001	GASKET,CYLINDER	1	Rendelhető
5	380180098-0001	BOLT,STUD,EX.	2	
6	270960014-0001	PLUG,SPARK	1	Rendelhető
7	380140336-0001	BOLT ,FLANGE ,8*60	4	
8	120250013-0001	PACKING,HEAD COVER	1	Rendelhető
9	120220008-0001	COVER COMP.,HEAD	1	
10	380140209-0001	BOLT,FLANGE,6*14	4	



(CRANK CASE)				
No.	Part No.	Description	(Reqd. QTY)	Rendelhető
			LC168-2H	
1	110810007-0001	Crankcase body	1	
	380650347-0001	Oil seal	1	
2	380450514-0001	Flat washer	2	
3	110260025-0001	Sealing plug screw	2	
4	171750002-0001	Components of governor gear	1	Rendelhető
5	380630383-0001	Bearing	1	
6	380450531-0001	Flat washer	1	
7	381350004-0001	Pin clip	1	
8	171630001-0001	Speed regulating arm	1	
9	380920086-0001	rubber flat gasket	2	

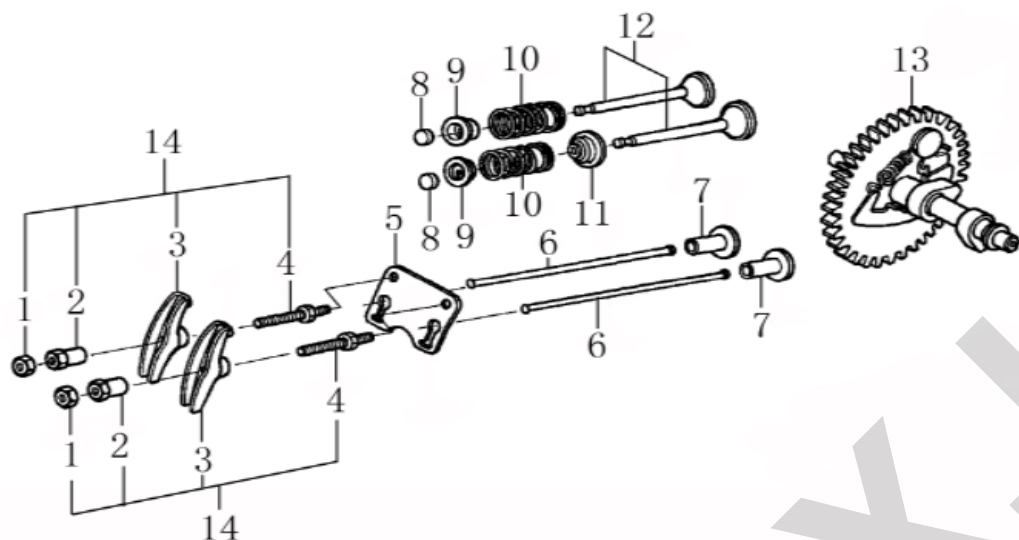


(CRANK CASE COVER)				
No.	Part No.	Description	(Reqd. QTY)	Rendelhető
			LC168-2H	
1	110690096-0004	Oil rule combination	2	Rendelhető
2	380140028-0004	Hexagon bolt with flange	6	
3	110820014-0001	Crankcase cover	1	
4	380650347-0001	Oil seal	1	
5	380630137-0002	Bearing	1	
6	380600120-0001	ocation pin	2	
7	110830007-0001	Crankcase cover gasket	1	Rendelhető



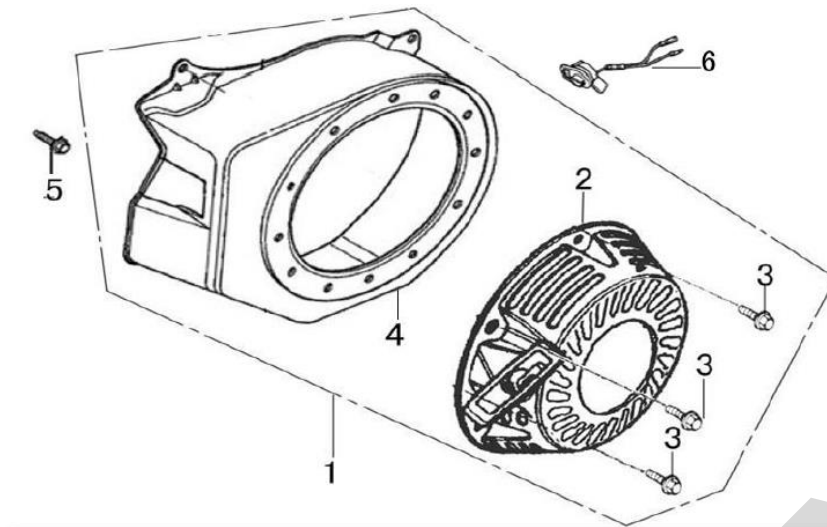
(CRANKSHAFT/PISTON)

No.	Part No.	Description	(Reqd. QTY)	Rendelhető
			LC168-2H	
1	130070168-0001	Piston ring combination	1	Rendelhető
2	380560056-0001	Steel cable baffle ring	2	
3	130030188-0001	Piston	1	Rendelhető
4	130060031-0001	Piston pin	1	
5	130180001-0001	Connecting rod bolt	1	
6	130150039-0001	Connecting rod	1	Rendelhető
7	380620050-0001	Key	1	
8	130290041-0001	crankshaft	1	Rendelhető
9	380620032-0001	Key	1	



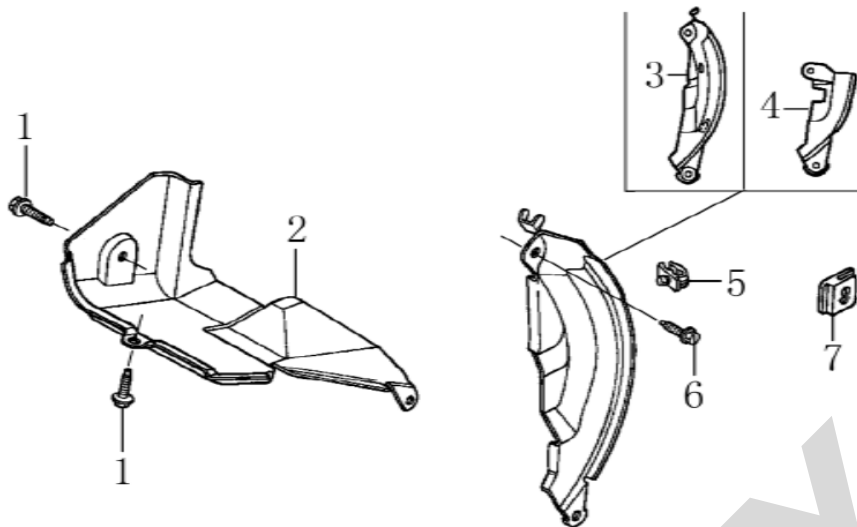
(GAS DISTRIBUTION ADJUSTMENT)

No.	Part No.	Description	(Reqd. QTY)	Rendelhető
			LC168-2H	
1	140470001-0001	Valve lock nut	2	
2	140490012-0001	Adjustable nut of valve	2	
3	140460030-0001	Valve rocker	2	
4	140480012-0001	Adjustable bolt of valve	2	
5	140710001-0001	Plate, push rod guide	1	
6	140670004-0001	Push rod	2	
7	140690003-0001	Lifter, Valve	2	
8	140320001-0001	Valve adjustment cap	2	
9	140380017-0001	Retainer, valve spring	2	
10	140340022-0001	Inner spring of valve	2	
11	140400016-0001	Valve oil seal	1	
12	500550024-0001	Valve Kit	1	Rendelhető
13	140020114-0001	Camshaft assy	1	Rendelhető
14	140450022-0001	Valve rocker combination	2	Rendelhető



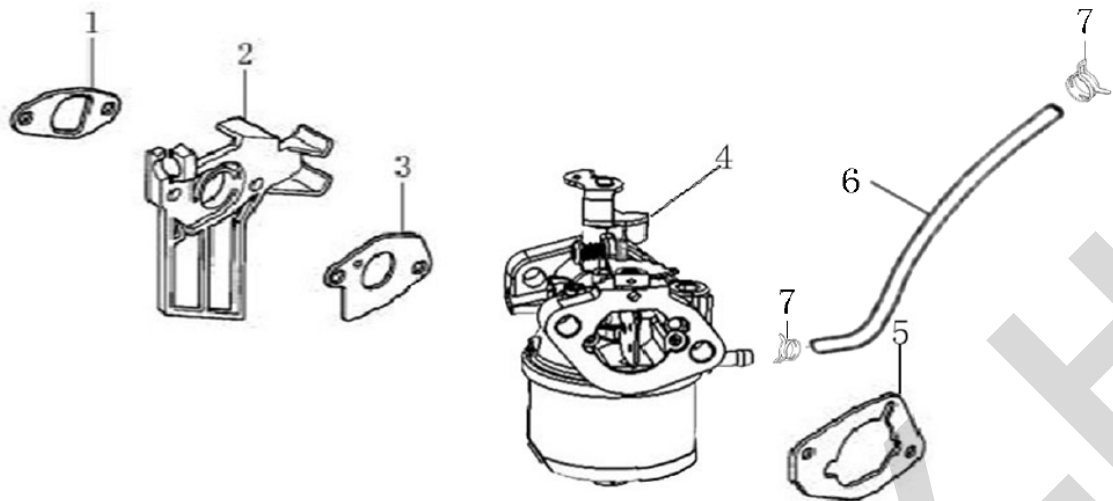
(STARTER SUBASSEMBLY)

No.	Part No.	Description	(Reqd. QTY)	Rendelhető
			LC168-2H	
1	193490174-0005	Manual starting assembly	1	Rendelhető
2	193500011-0003	Manual starting components	1	Rendelhető
3	380140531-0001	Hexagon bolt with flange	3	
4	160210005-T040	Fan cover comp.	1	
5	380140011-0004	Hexagon bolt with flange	4	
6	271660027-0001	Stop switch	1	



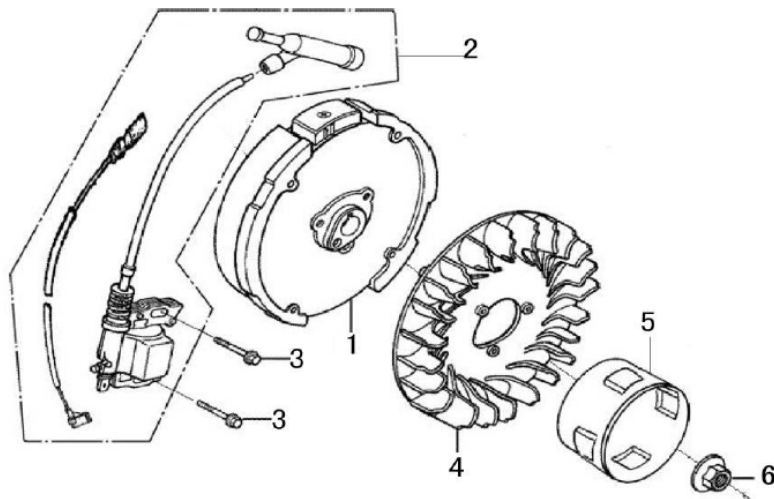
(DIVERSION ASSY.)

No.	Part No.	Description	(Reqd. QTY)	Rendelhető
			LC168-2H	
1	380140089-0003	BOLT,FLANGE, 6×8	2	
2	160190004-0001	SHROUD COMP	-	
	160190009-0001	SHROUD COMP	1	
3	160200011-0001	PLATE,SIDE	1	
4	160200014-0001	PLATE,SIDE	1	
5	140280001-0001	CLIP,HARNESS	1	
6	380140003-0005	BOLT,FLANGE, 6×20	1	
7	380930023-0001	GROMMET,CORD	1	



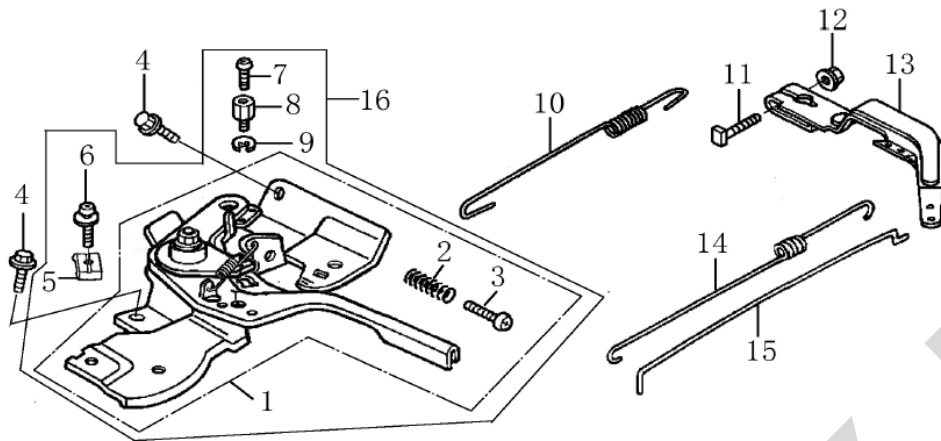
(CARBURETOR)

No.	Part No.	Description	(Reqd. QTY)	Rendelhető
			LC168-2H	
1	170430060-0001	Carburetor gasket	1	
2	170440096-0001	Heat insulating pad for carburet	1	Rendelhető
3	170430048-0001	Carburetor gasket	1	
4	170430065-0001	Carburetor gasket	1	Rendelhető
5	170022149-0001	Carburetor	1	Rendelhető
6	380750478-0001	Oil tube	1	
7	380960121-0005	Clip combination	2	



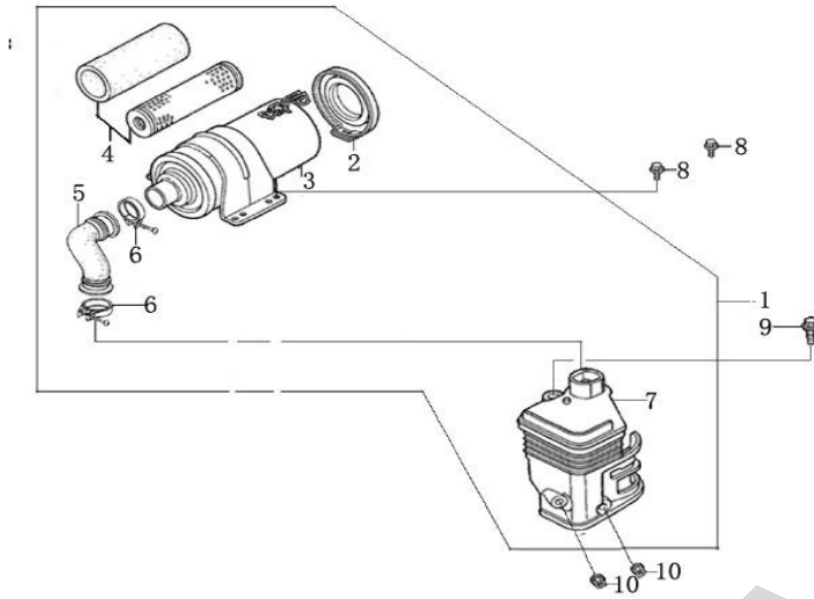
FLYWHEEL/COIL ASSY

No.	Part No.	Description	(Reqd. QTY)	Rendelhető
			LC168-2H	
1	270020097-0001	FLYWHEEL COMP	1	
2	270920476-0001	COIL ASSY.,IGNNTION	1	Rendelhető
3	380140103-0004	Hexagon bolt with flange	2	
4	160180007-0001	Impeller	1	
5	193590005-0001	Starting disc	1	
6	380370051-0001	Hexagon nut with flange	1	



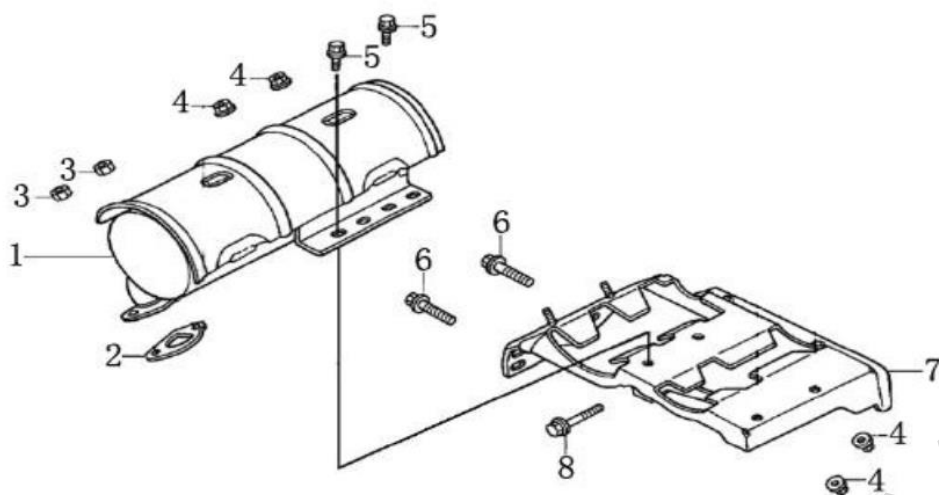
CONTROL SYSTEM

No.	Part No.	Description	(Reqd. QTY)	Rendelhető
			LC168-2H	
1	171680197-0001	CONTROL ASSY.	1	
2	171660001-0001	speed regulating Limit spring	1	
3	380200017-0005	Cross recessed pan head screw	1	
4	380140011-0004	Hexagon bolt with flange	2	
5	171710004-0001	Throttle cable pressing plate	1	
6	380200010-0005	Cross recessed pan head screw	1	
7	380200037-0003	Cross recessed pan head screw	1	
8	171720001-0001	Throttle cable clip	1	
9	380570018-0002	Split damping ring	1	
10	171600037-0002	Governing spring	1	
11	380250002-0001	square head set screw with flat top	1	
12	380370048-0001	Hexagon nut with flange	1	
13	171620001-0003	Speed regulating bracket	1	
14	171610002-0001	throttle return spring	1	
15	171590004-0001	Throttle rod	1	
16	171680150-0001	Throttle handle combination	1	Rendelhető



AIR CLEANER

No.	Part No.	Description	(Reqd. QTY)	Rendelhető
			LC168-2H	
1	180020552-0001	Air filter	1	Rendelhető
2	180070170-0001	Air filter casing cover	1	
3	180040122-0001	Air filter casing cover	1	
4	180100071-0001	Air filter element combination	1	Rendelhető
5	180180115-0001	Air filter connecting tube	1	
6	380960121-0001	Clip combination	2	
7	180280108-0001	Air filter seat	1	
8	380140037-0003	Hexagon bolt with flange	2	
9	380140037-0003	Hexagon bolt with flange	1	
10	380370048-0001	Hexagon nut with flange	2	



(MUFFLER)				
No.	Part No.	Description	(Reqd. QTY)	Rendelhető
			LC168-2H	
1	180571350-0001	Muffler	1	
3	180650065-0001	Outlet gasket	1	
3	380340005-0005	Hexagon nut	2	
4	380370048-0001	Hexagon nut with flange	4	
5	380140037-0003	Hexagon bolt with flange	2	
6	380140209-0001	Hexagon bolt with flange	2	
7	180990056-0001	Muffler bracket	1	
8	380140054-0003	Hexagon bolt with flange	1	