

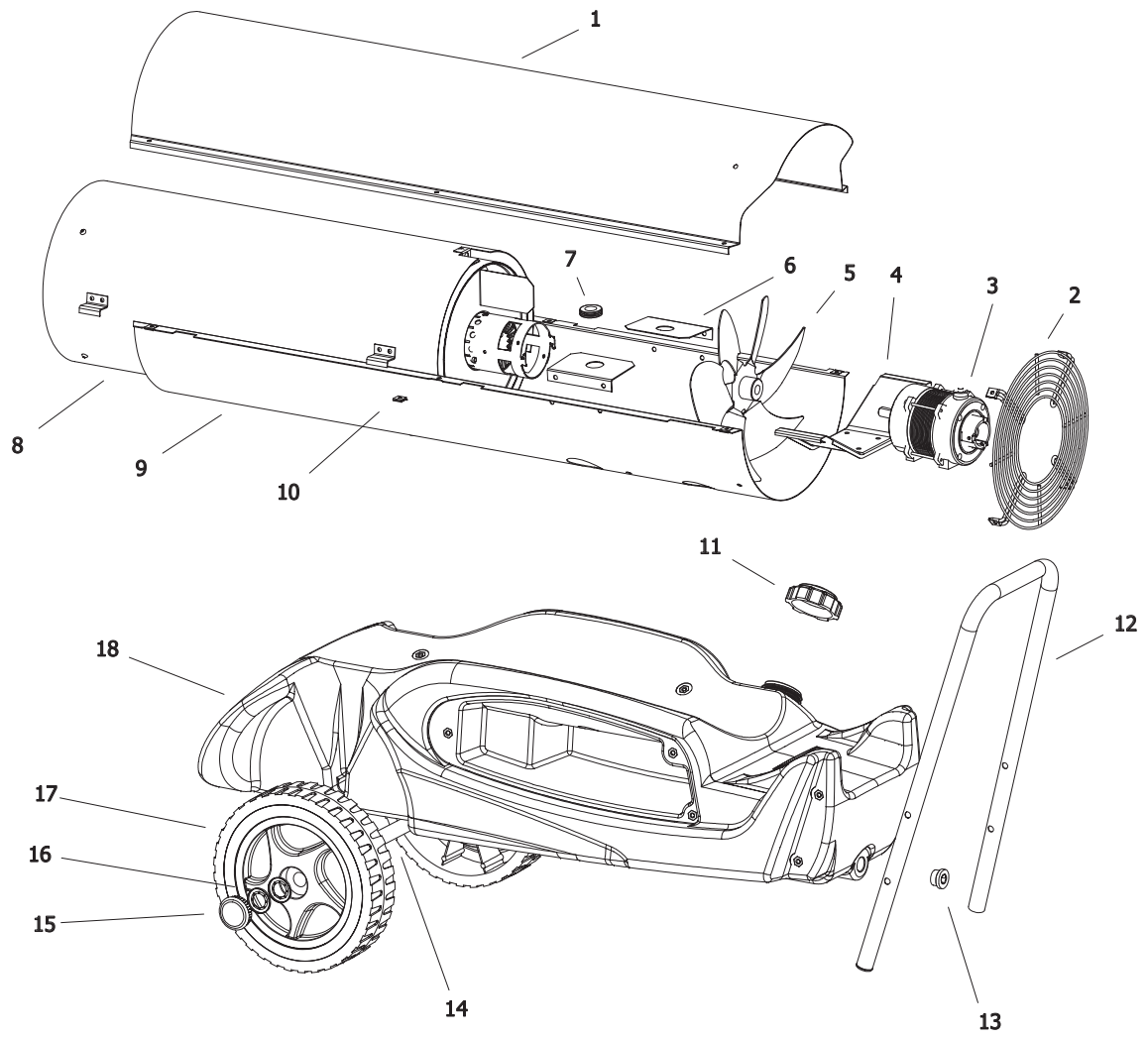
# MODEL B180 E

## UNIT 1

## ILLUSTRATED PARTS BREAKDOWN

From Serial Number : 30803707  
Untill Serial Number : 32800179

Rev. B - May 2011



# MODEL B180 E

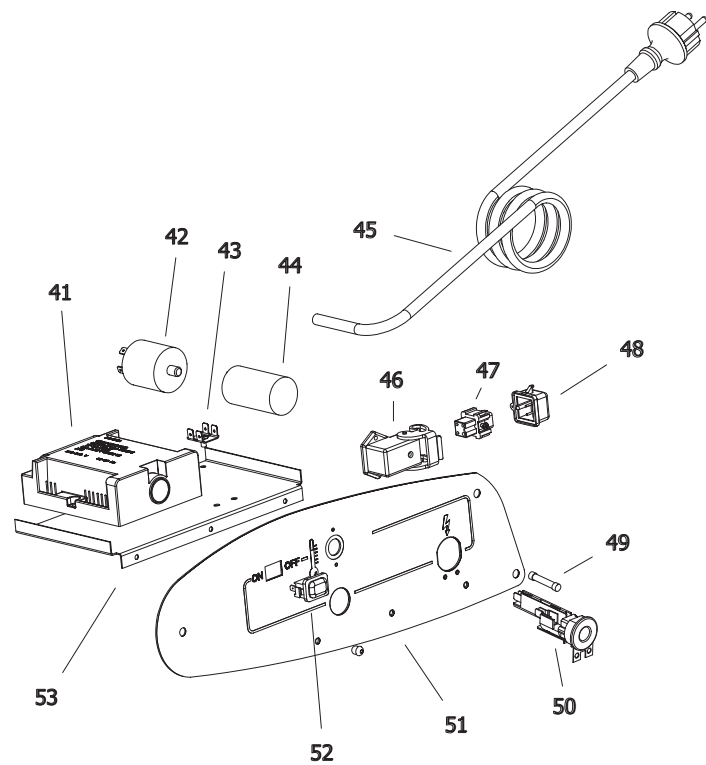
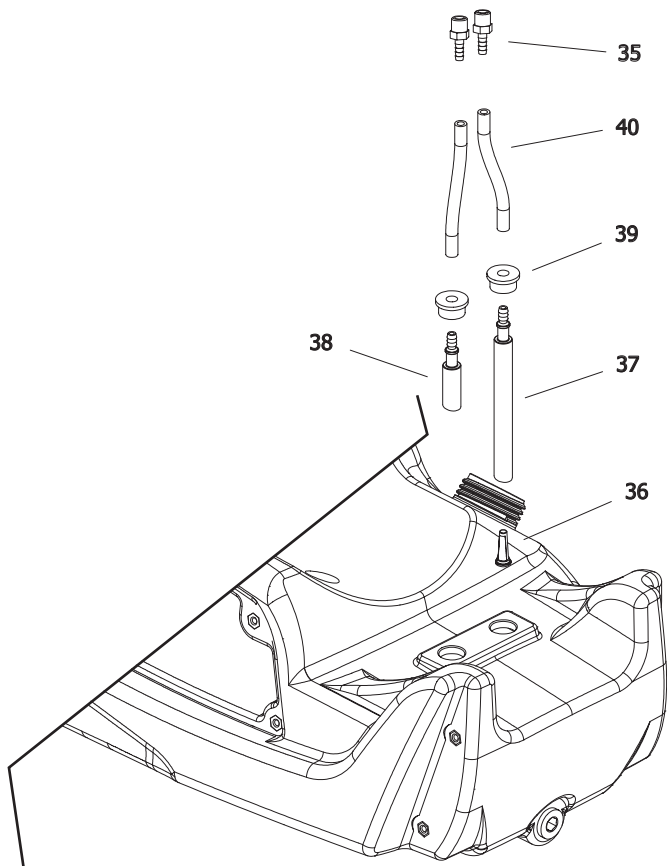
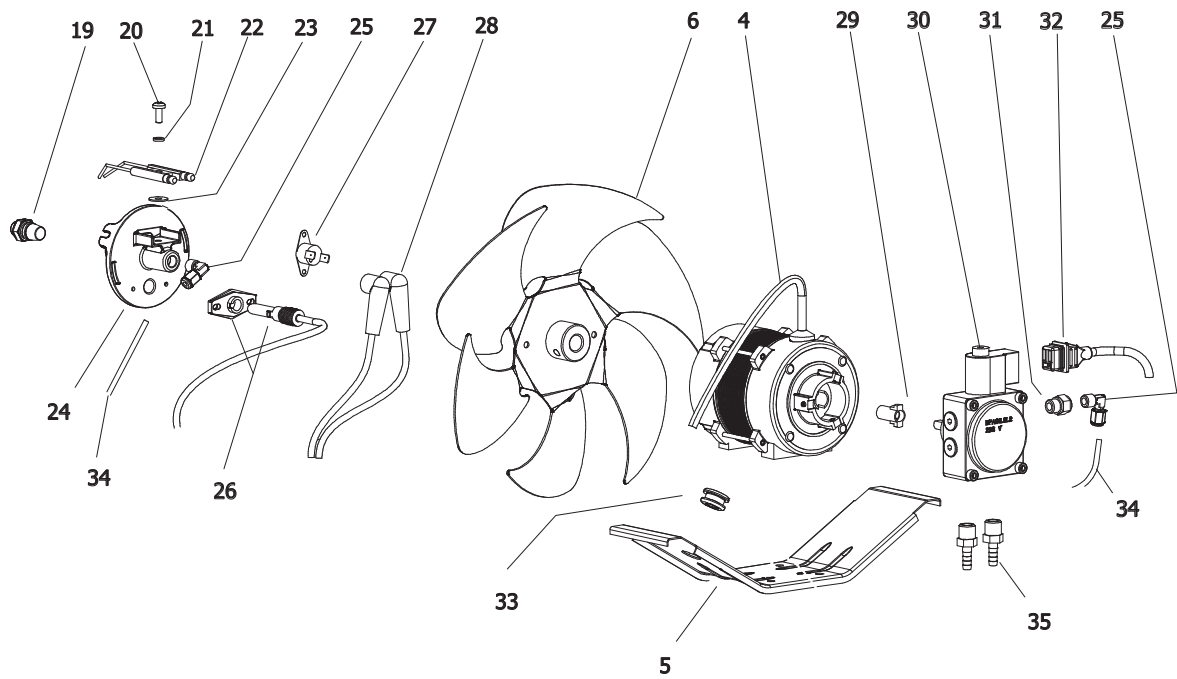
## UNIT 2

## ILLUSTRATED PARTS BREAKDOWN

From Serial Number: 30803707

Rev. B - May 2011

Until Serial Number: 32800179



# MODEL B180 E

UNIT 3

PARTS LIST

Pos.	Code NR	Description	Rev. B - May 2011
1	4033.016	UPPER SHELL	
2	4032.836	GRID	
3	4032.815	MOTOR	
4	4032.835	MOTOR BRACKET	
5	4032.814	FAN	
6	4033.028	AIR FLAP	
7	4160.646	CABLE PROTECTION	
8	4033.132	COMBUSTION CHAMBER	
9	4033.015	LOWER SHELL	
10	4104.170	CLIP NUT	
11	4032.846	FUEL TANK CAP	
12	4032.386	HANDLES	
13	4032.813	DRAIN PLUG	
14	4032.389	AXLE	
15	4111.480	WHEEL PLUG	
16	4111.072	WHEEL HOLDER	
17	4032.094	WHEEL	
18	4033.037	TANK	
19	4031.163	NOZZLE	
20	4160.601	SCREW	
21	4110.393	WASHER	
22	4032.396	BIFILAR ELECTRODE	
23	4110.394	WASHER	
24	4033.042	BURNER FLANGE	
25	4161.140	ELBOW	
26	4033.022	PHOTOCELL	
27	4032.883	LIMIT THERMOSTAT	
28	4031.048	HT CABLE	
29	4111.081	COUPLING	
30	4032.789	PUMP	
31	4161.501	NIPPLES	
32	4032.905	POWER CORD SOLENOID SPOOL	
33	4032.947	CABLE PROTECTION	
34	4032.854	OIL SUPPLY PIPE	
35	4032.906	FITTING 1/4"	
36	4110.356	FUEL FILTER	
37	4110.355	FUEL LINE TANK-PUMP	
38	4033.038	FUEL PIPE PUMP-TANK	
39	4100.541	RUBBER BUSHING	
40	4110.032	FUEL LINE	
41	4033.017	IGNITION CONTROL ASSEMBLY	
42	4032.771	POWER LINE RFI FILTER	
43	4160.639	POP RIVET WITH TERMIN. 4 WAY	
44	4032.816	CAPACITOR 6,3 $\mu$ f	
45	4111.153	POWER CORD	
46	4160.647	PLATE PLUG	
47	4161.400	CONNECTION SOCKET	
48	4162.467	THERMOSTAT PLUG	
49	4032.850	FUSE (6,3X32) 15A	
50	4111.038	STRAIN RELIEF	
51	4032.823	ELECTR. COMPONENTS PANEL	
52	4100.667	ON/OFF SWITCH	
53	4032.897	ELECTR. COMPONENTS BASE	

ESP00123

# MODEL B180 E

UNIT 4

RECOMMENDED SPARE PARTS

<b>Pos.</b>	<b>Code NR</b>	<b>Description</b>	<i>Rev. B - May 2011</i>
3	4032.815	MOTOR	
22	4032.396	BIFILAR ELECTRODE	
26	4033.022	PHOTOCELL	
27	4032.883	LIMIT THERMOSTAT	
28	4031.048	HT CABLE	
29	4111.081	COUPLING	
30	4032.789	PUMP	
32	4032.905	POWER CORD SOLENOID SPOOL	
36	4110.356	FUEL FILTER	
42	4032.771	POWER LINE RFI FILTER	
41	4033.017	IGNITION CONTROL ASSEMBLY	
44	4032.816	CAPACITOR 6,3 $\mu$ f	
46	4160.647	PLATE PLUG	
48	4162.467	THERMOSTAT PLUG	
49	4032.850	FUSE (6,3X32) 15A	