

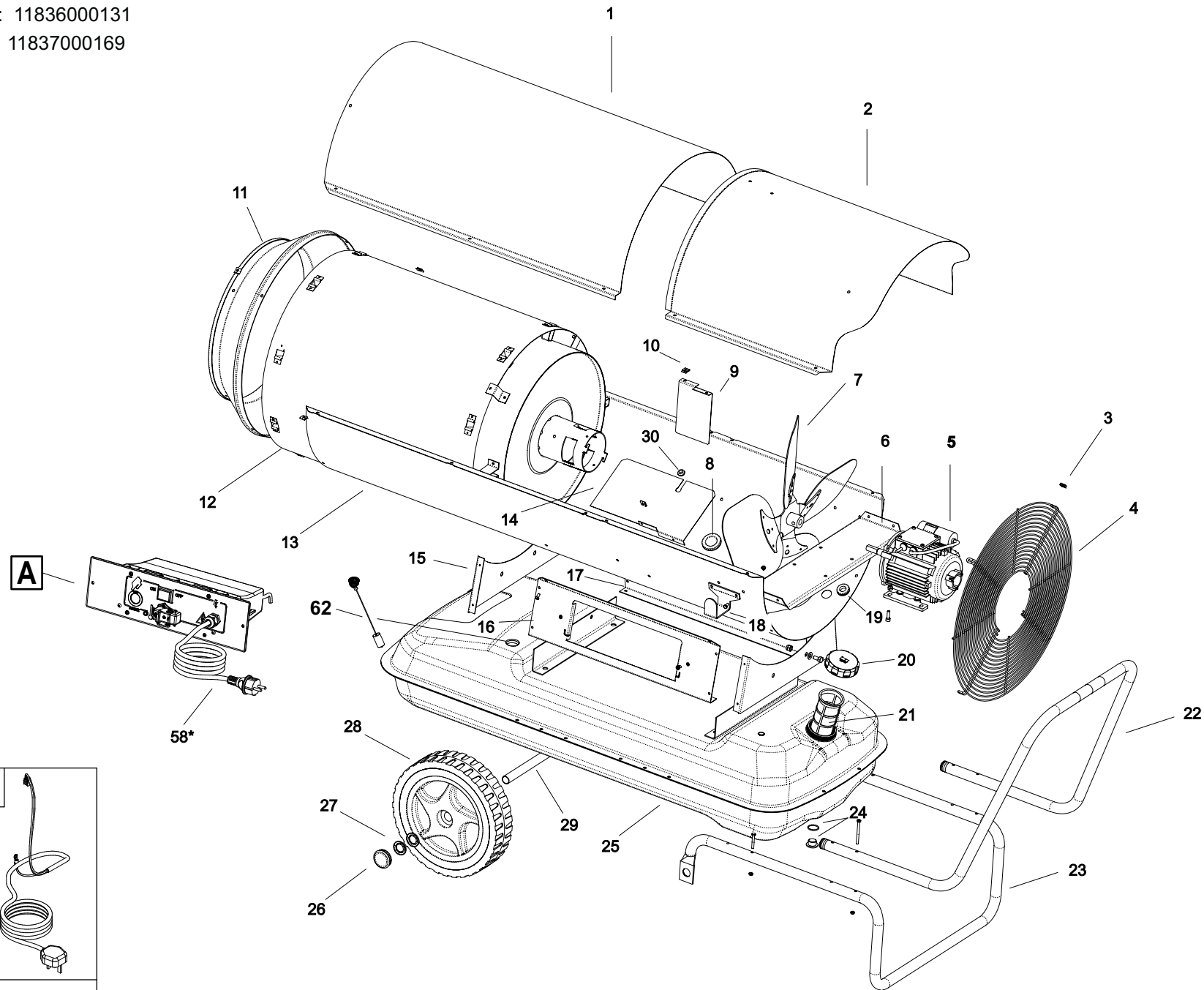
MODEL B360 E





UNIT 1

ILLUSTRATED PARTS BREAKDOWN

From Serial Number: 11836000131
Until Serial Number: 11837000169

Rev.G - Apr. 2016



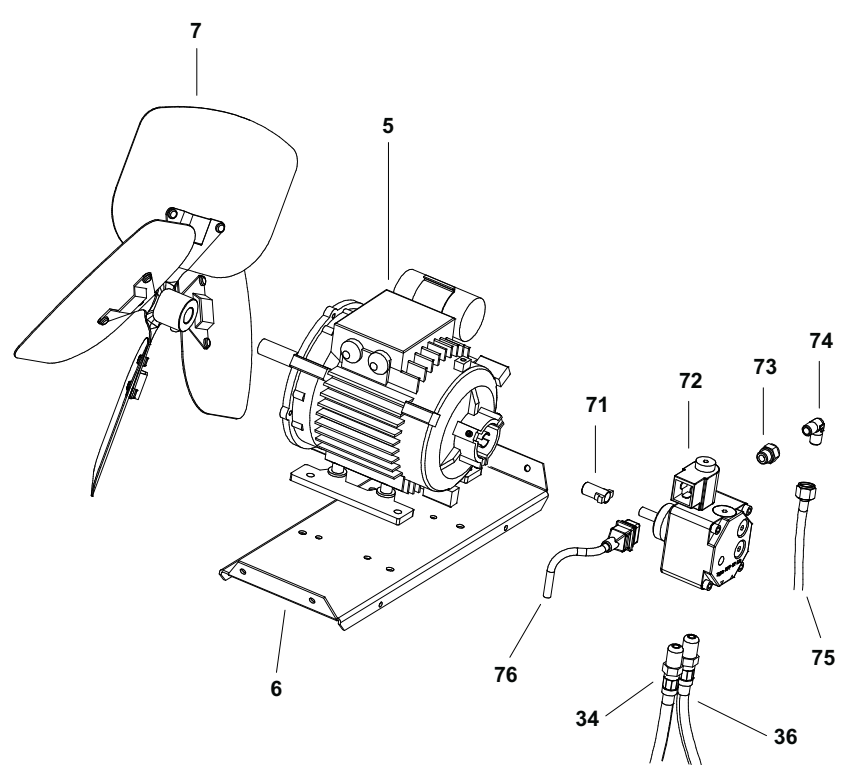
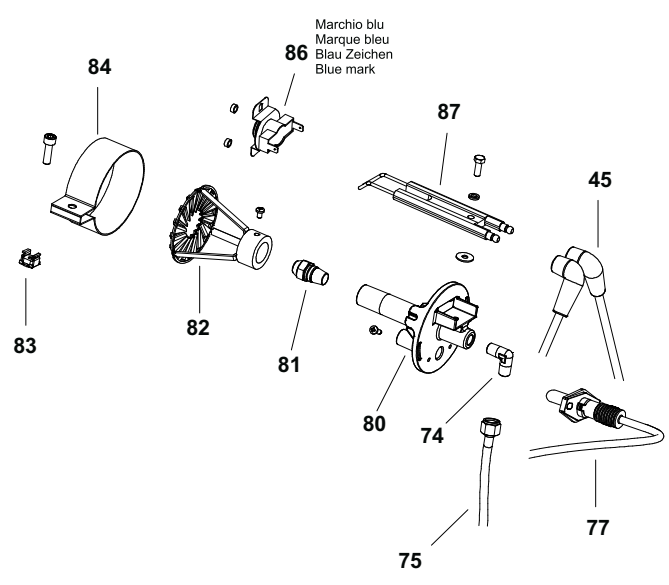
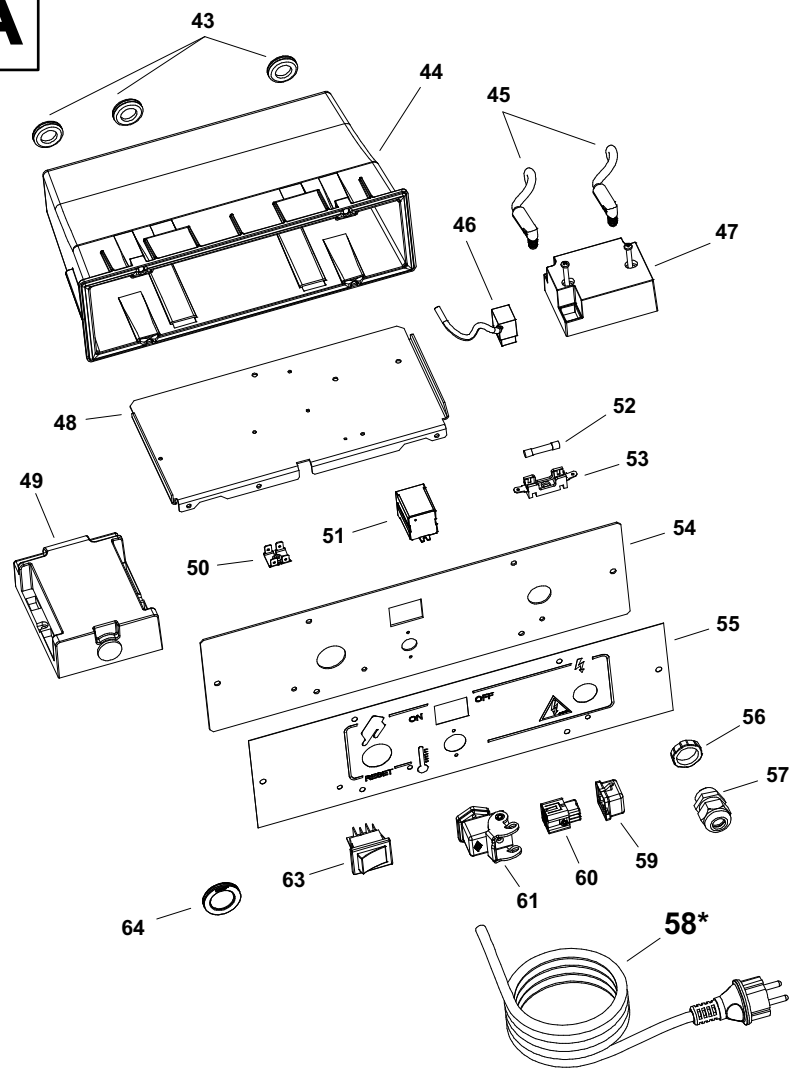
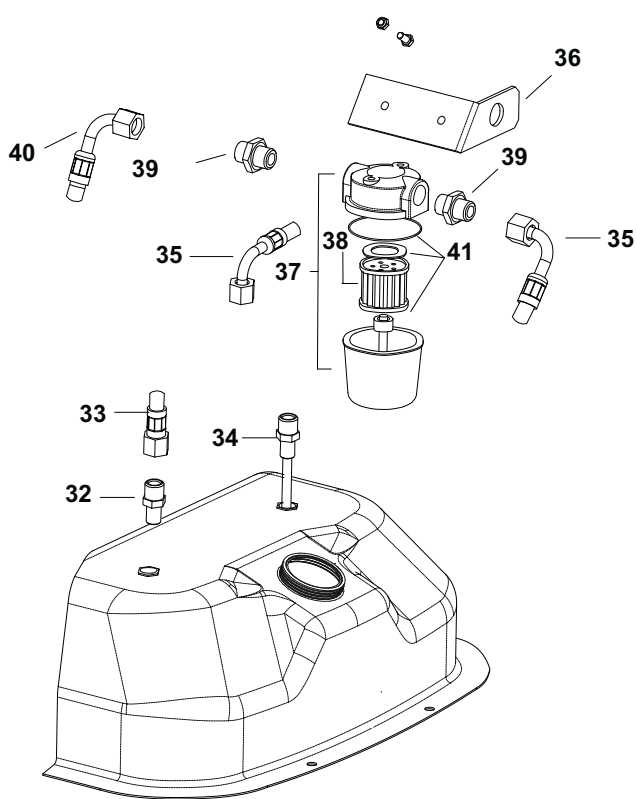
58-A		58-B	
*		*	
			
POWER CORD NEW ZEALAND		POWER CORD UK	

MODEL B360 E

UNIT 2

ILLUSTRATED PARTS BREAKDOWN

A



MODEL B360 E

UNIT 3

PARTS LIST

POS.	Code NR	Description	Rev. G - Apr. 2016
1	4111.604	UPPER BODY	
2	4033.263	UPPER BODY MOBILE	
3	4111.241	ELASTIC PLATE Ø 4,2	
4	4032.465	INLET GRILL	
5	4032.370	MOTOR	
6	4032.463	MOTOR FLANGE SUPPORT	
7	4033.019	FAN	
8	4111.056	PROTECTION CABLE	
9	4032.518	CENTRAL AIR FLAP	
10	4104.170	CLIP NUT	
11	4033.223	OUTLET CONE	
12	4033.197	COMBUSTION CHAMBER	
13	4033.264	LOWER BODY	
14	4111.610	AIR FLAP	
15	4032.470	BASE	
16	4032.466	ELECTR. COMPONENTS DRAWER PANEL	
17	4032.468	SIDE PANEL	
18	4032.536	POWER CORD HOOK	
19	4160.646	PROTECTION CABLE	
20	4260.100	TANK CAP	
21	4290.213	TANK FILTER	
22	4032.480	HANDLE FRAME	
23	4032.476	FOOT FRAME	
24	4100.632	DRAIG PLUG	
25	4033.243	FUEL TANK	
26	4111.480	WHEEL PLUG	
27	4111.072	WHEEL PLUG Ø 20	
28	4110.978	WHEEL	
29	4032.478	AXLE	
30	4101.151	PROTECTION CABLE	
32	4031.068	CONN. STRAIGHT 1/4"	
33	4031.062	FUEL PIPE PUMP-TANK	
34	4031.067	PIPE CONNECTION 1/4"	
35	4031.063	FUEL PIPE TANK-FILTER	
36	4032.437	FILTER SUPPORT	
37	4033.090	FILTER WITH CARTIDGE 3/8"	
38	4031.494	FILTER CARTIDGE	
39	4034" +,	DOUBLE SCREW	
40	4031.061	FUEL PIPE FILTER-PUMP	
41	4111.116	OR KIT FILTER	
43	4160.646	PROTECTION CABLE	
44	4033.257	PLASTIX BOX	
45	4110.490	HT CABLE	
46	4033.256	POWER CORD TRANSFORMATOR HT	
47	4031.541	TRANSFORMER HT	
48	4033.249	CONTROL BASE	
49	4032.774	CONTROL BOX	
50	4160.639	POP RIVET 4 WAY	
51	4111.032	RELAY	
52	4111.040	FUSE	
53	4033.301	FUSE HOLDER	
54	4033.248	FRONTAL CONTROLS PANEL	
55	4033.254	PANEL LABEL	
56	4100.656	LOCKNUT	

MODEL B360 E

UNIT 4

PARTS LIST

POS.	Code NR	Description	Rev. G - Apr. 2016
57	4150.528	STRAIN RELIEF BUSHING	
58	4033.253	POWER CORD SCHUKO	
58-A	4033.252	POWER CORD NEW ZEALAND	
58-B	4033.302	POWER CORD UK	
59	4162.467	THERMOSTAT CAP	
60	4161.400	CONNECTION PLUG	
61	4160.647	THERMOSTAT SOCKET 90°	
62	4260.105	FUEL GAUGE	
63	4165.204	ROCKER SWITCH	
64	4033.251	BOARD BUTTON CAP	
71	4111.081	COUPLING	
72	4033.122	PUMP	
73	4161.501	CONN. STRAIGHT 1/8"	
74	4033.198	ELBOW 1/8"	
75	4033.186	OIL SUPPLY PIPE	
76	4033.311	PUMP POWER CORD	
77	4033.246	PHOTOCELL	
80	4033.059	BURNER FLANGE	
81	4111.143	NOZZLE	
82	4033.071	TURBO DISC	
83	4032.454	M6 NUT	
84	4032.453	AIR REGULATION FLAP	
86	4031.047	LIMIT THERMOSTAT	
87	4111.826	ELECTRODE	

RECOMMENDED SPARE PARTS

POS.	Code NR	Description	Rev. G - Apr. 2016
5	4032.370	MOTOR	
38	4031.494	FILTER CARTIDGE	
41	4111.116	OR KIT FILTER	
45	4110.490	HT CABLE	
47	4031.541	TRANSFORMER HT	
49	4032.774	CONTROL BOX	
51	4111.032	RELAY	
52	4111.040	FUSE	
59	4162.467	THERMOSTAT CAP	
71	4111.081	COUPLING	
72	4033.122	PUMP	
76	4033.311	POWER CORD PUMP	
77	4033.246	PHOTOCELL	
81	4111.143	NOZZLE	
86	4031.047	LIMIT THERMOSTAT	
87	4111.826	ELECTRODE	