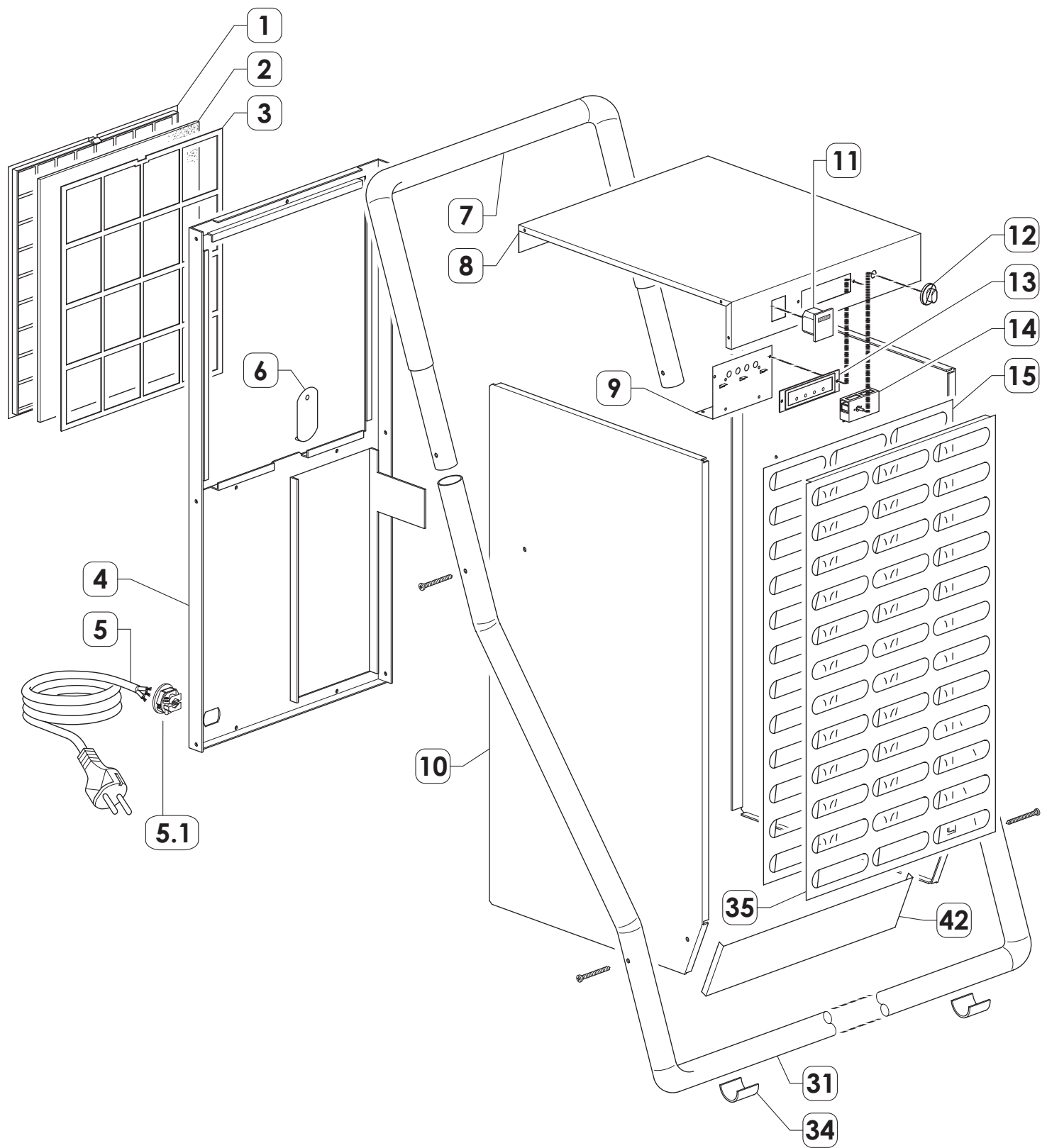


MODEL DH 44 - DH 62

UNIT 1

ILLUSTRATED PARTS BREAKDOWN

Rev. -- Apr. 2013

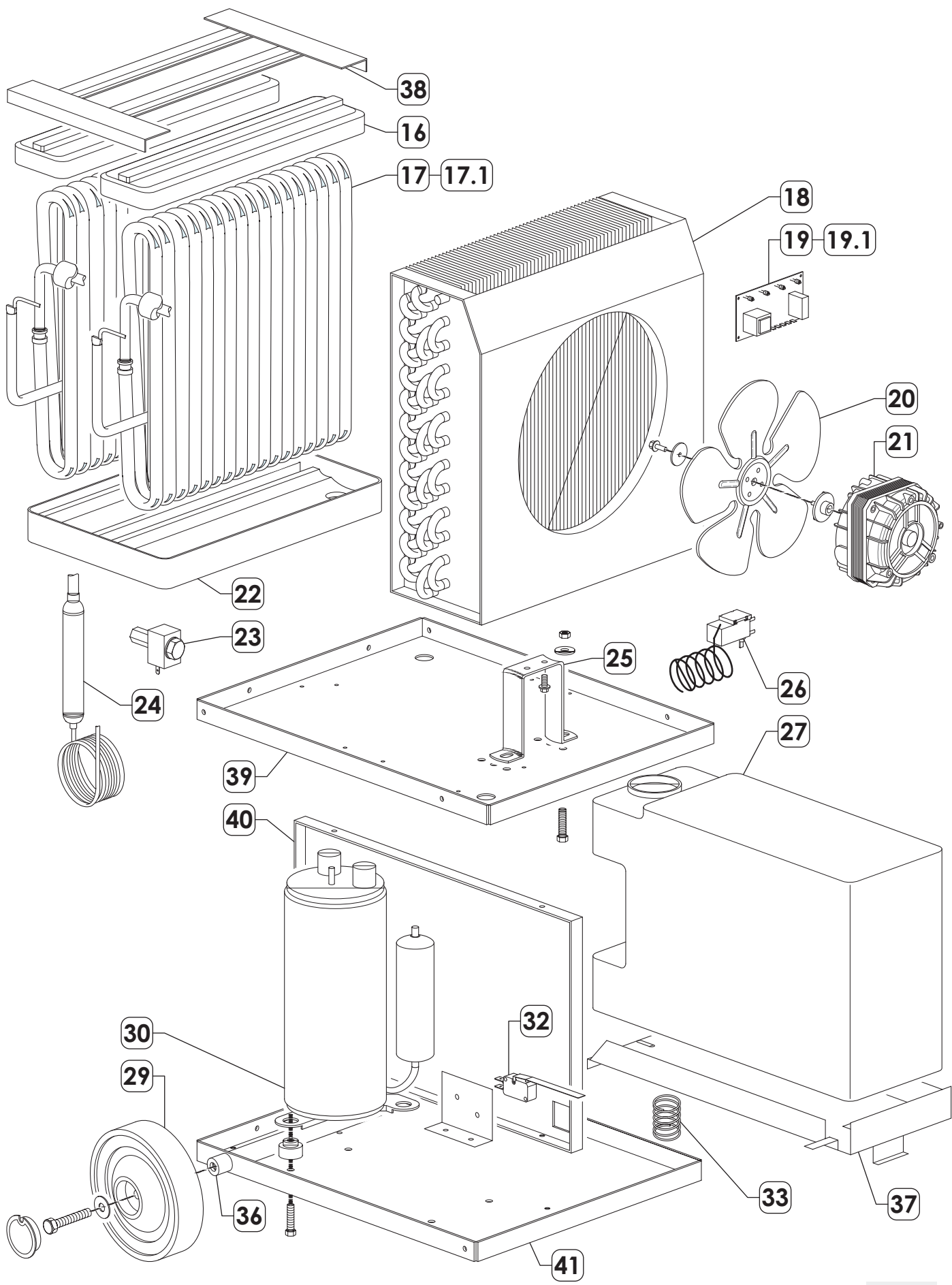


MODEL DH 44 - DH 62

UNIT 2

ILLUSTRATED PARTS BREAKDOWN

Rev. -- Apr. 2013



DEHUMIDIFIER DH 44 - DH 62

UNIT3

PARTS LIST

| Pos. | Code DH44 | Code DH62 | Description | Rev. - Apr.2013 |
|-------|-----------|-----------|--|-----------------|
| 1 | 4140.260 | 4140.260 | Filter seat | |
| 2 | 4140.259 | 4140.259 | Air filter | |
| 3 | S/R | S/R | Inside grille | |
| 4 | S/R | S/R | Back panel | |
| 5 | 4140.226 | 4140.226 | Power cord | |
| 5.1 | 4140.349 | 4140.349 | Strain relief | |
| 6 | S/R | S/R | Lock block | |
| 7 | 4140.262 | 4140.262 | Handle | |
| 8 | S/R | S/R | Cover | |
| 9 | 4140.206 | 4140.206 | Support PCB | |
| 10 | S/R | S/R | Side panel (left+right) | |
| 11 | 4140.158 | 4140.158 | Hour counter | |
| 12 | 4140.204 | 4140.204 | Knob | |
| 13 | 4140.205 | 4140.205 | Control panel with silkscreen printing | |
| 14 | 4140.245 | 4140.245 | Dehumidostat | |
| 15 | S/R | S/R | Inside grille | |
| 16 | 4140.247 | 4140.247 | Top tray | |
| 17 | 4140.246 | 4140.246 | Evaporator | |
| 17.1* | S/R | S/R | Evaporator (vers.S) | |
| 18 | 4140.248 | 4140.264 | Condenser | |
| 19 | 4140.201 | 4140.201 | Electronic card | |
| 19.1* | S/R | S/R | Electronic card (vers.S) | |
| 20 | 4140.249 | 4140.249 | Impeller | |
| 21 | 4140.250 | 4140.250 | Motorfan | |
| 22 | 4140.202 | 4140.202 | Lower condensate collecting tray | |
| 23* | 4140.261 | 4140.261 | Solenoid valve (vers.S) | |
| 24 | 4140.254 | 4140.267 | Refrigerant filter with capillary | |
| 25 | 4140.251 | 4140.251 | Fan braket | |
| 26* | 4140.230 | 4140.230 | Thermostat(vers. S) | |
| 27 | 4140.255 | 4140.255 | Tank | |
| 29 | 4140.219 | 4140.219 | Wheel | |
| 30 | 4140.252 | 4140.265 | Compressor + compr. starting group | |
| 31 | 4140.340 | 4140.340 | Handle pipe | |
| 32 | 4140.258 | 4140.258 | Support with microswitch | |
| 33 | 4140.256 | 4140.256 | Sprig | |
| 34 | 4140.234 | 4140.234 | Foot | |
| 35 | 4140.295 | 4140.295 | Outside grille | |
| 36 | 4140.351 | 4140.351 | Axil wheel | |
| 37 | 4140.263 | 4140.263 | Tank support | |
| 38 | S/R | S/R | Support evaporator | |
| 39 | S/R | S/R | Plane intermediate | |
| 40 | S/R | S/R | Vertical panel | |
| 41 | S/R | S/R | Bottom panel | |
| 42 | S/R | S/R | Lower front panel | |

S/R - PARTS AVAILABLE BY SPECIAL REQUEST ONLY

ESP00058