

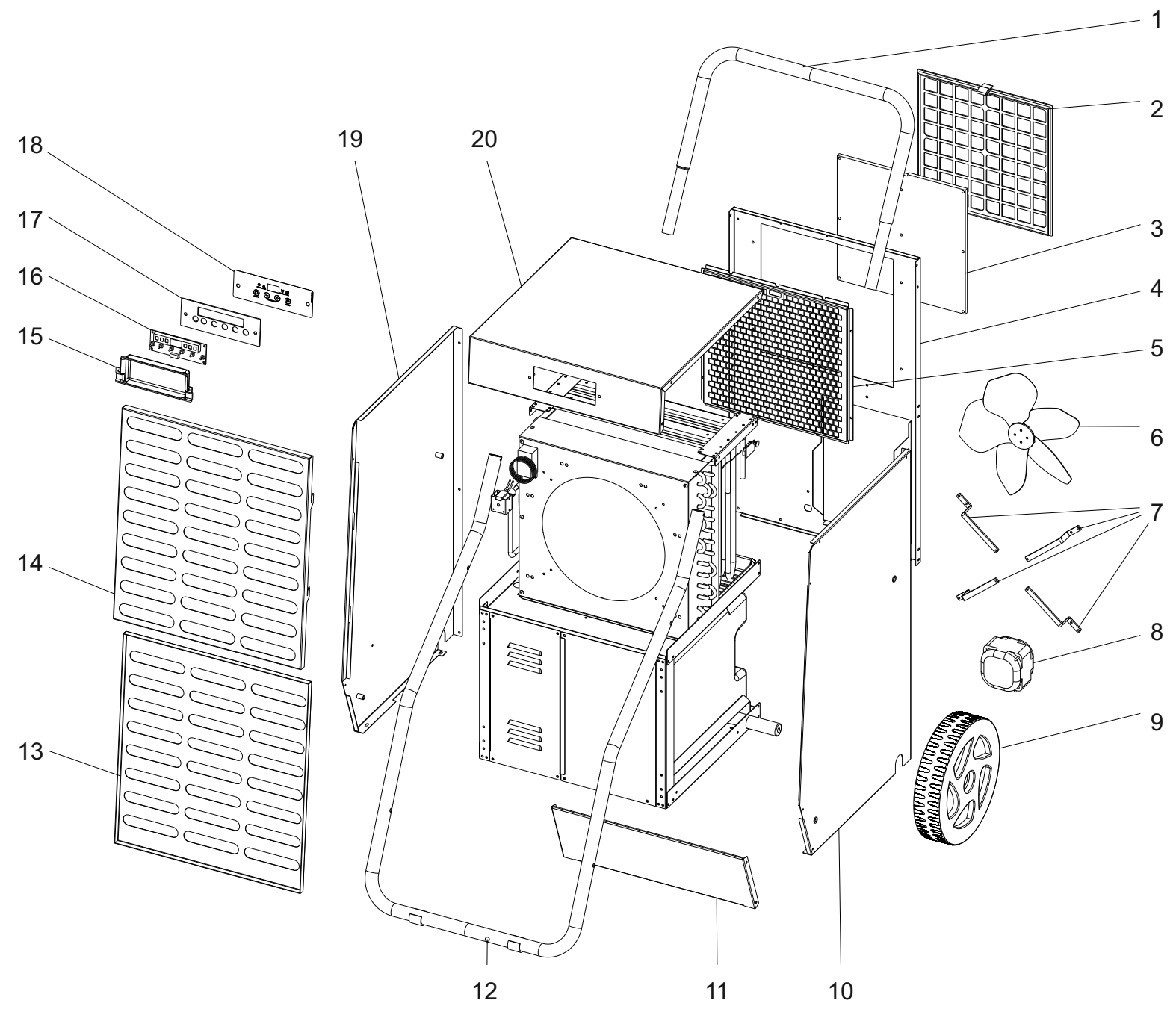
MODEL DH 44-62 (R1234)

UNIT 1

ILLUSTRATED PARTS BREAKDOWN

Rev. - - Nov. 2020

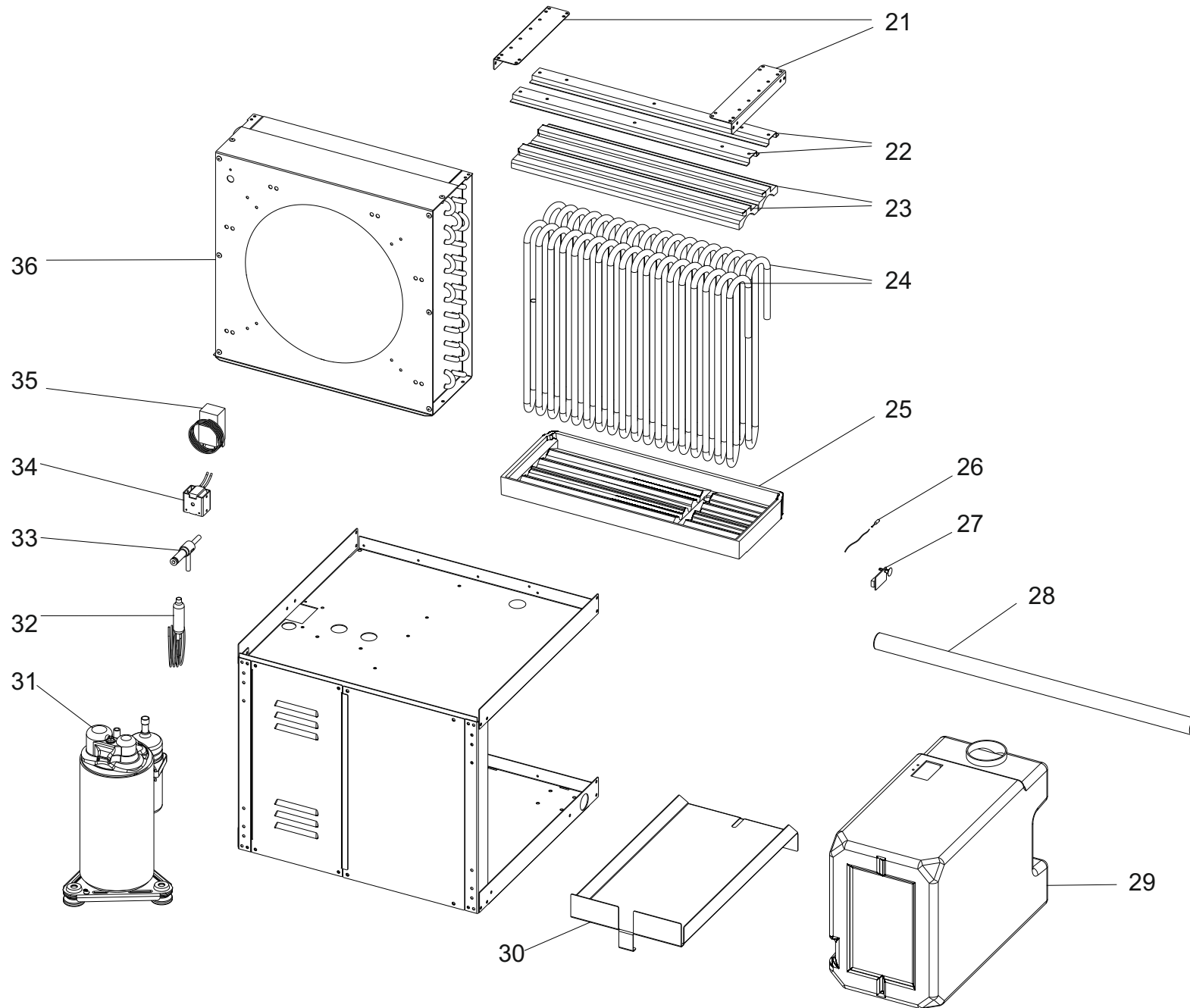
From Serial Number :



MODEL DH 44-62 (R1234)

UNIT 2

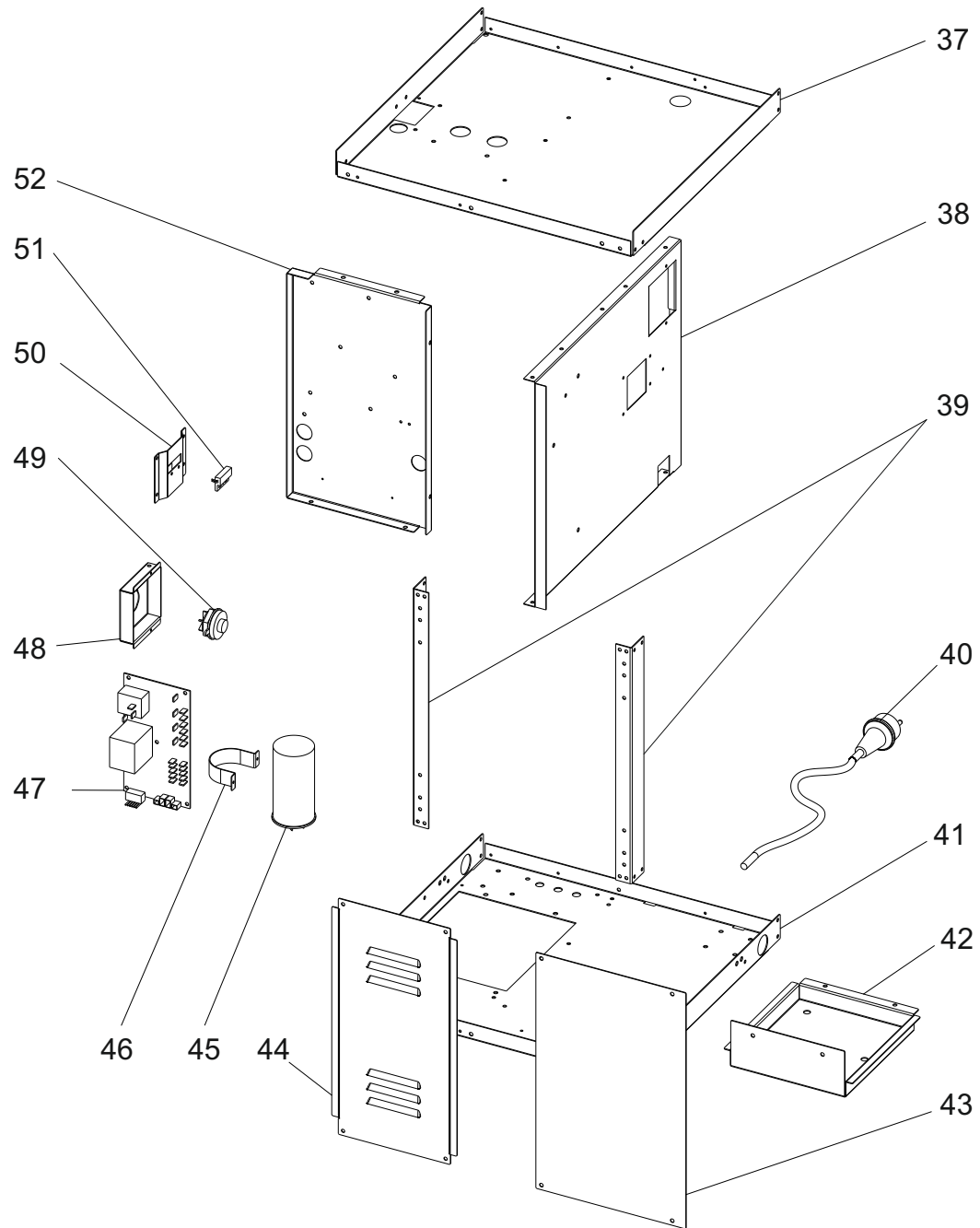
ILLUSTRATED PARTS BREAKDOWN



MODEL DH 44-62 (R1234)

UNIT 3

ILLUSTRATED PARTS BREAKDOWN



MODEL DH 44-62

UNIT 2

PARTS LIST

N°	CODE DH 44	CODE DH 62	DESCRIPTION
1	4140.262	4140.262	HANDLE
2+3	4140.281	4140.281	FILTER SEAT
3	4140.259	4140.259	AIR FILTER
4	4141.595	4141.595	BACK PANEL
5	4141.596	4141.596	INSIDE GRILLE
6	4141.590	4141.590	IMPELLER
7	4141.591	4141.591	FAN SUPPORT
8	4141.589	4141.589	MOTORFAN
9	4140.219	4140.219	WHEEL
10	4141.597	4141.597	SIDE PANEL RIGHT
11	4141.577	4141.577	LOWER FRONT PANEL
12	4141.594	4141.594	HANDLE PIPE
13	4140.299	4140.299	INSIDE GRILLE
14	4140.295	4140.295	OUTSIDE GRILLE
15	4141.653	4141.653	DISPLAY PROTECTION
16	4141.607	4141.607	DIGIT DISPLAY
17	4141.585	4141.585	DISPLAY SUPPORT
18	4141.600	4141.600	DISPLAY LABEL
19	4141.598	4141.598	SIDE PANEL LEFT
20	4141.599	4141.599	COVER
21+22	S/R	S/R	SUPPORT EVAPORATOR
24	4141.601	4141.601	EVAPORATOR
23+25	4140.202	4140.202	LOWER CONDENSATE COLLECTING TRAY + TOP TRAY
26	4141.654	4141.654	TEMPERATURE PROBE
27	4141.652	4141.652	HUMIDITY SENSOR
28	4140.351	4140.351	AXIL WHEEL
29	4141.603	4141.603	TANK
30	S/R	S/R	TANK SUPPORT
31	4141.604	4141.611	KIT COMPRESSOR
32	4141.605	4141.612	REFRIGERANT FILTER WITH CAPILLARY
33	4141.587	4141.587	SOLENOID VALVE
34	4141.588	4141.588	COIL
35	4141.592	4141.592	THERMOSTAT
36	4141.602	4141.602	CONDENSER
37	S/R	S/R	PLANE INTERMEDIATE
38	S/R	S/R	VERTICAL PANEL
39	S/R	S/R	UPPERCUT
40	4140.479	4140.479	CABLE
41	S/R	S/R	BOTTOM PANEL
42	S/R	S/R	TANK VANE PANNEL
43	S/R	S/R	ELETTRICAL VANE PANNEL
44	S/R	S/R	COMPRESSOR BOX
45	4141.650	4141.583	RUN CAPACITOR
46	S/R	S/R	CONDENSER CAPACITOR BELT
47	4141.606	4141.606	ELECTRONIC CARD
48	S/R	S/R	CONNECTOR SUPPORT
49	4141.651	4141.651	CONNECTOR 6 PIN
50	S/R	S/R	SENSOR TANK SUPPORT
51	4140.430	4140.430	SENSOR TANK
52	S/R	S/R	ELETTRICAL VANE