

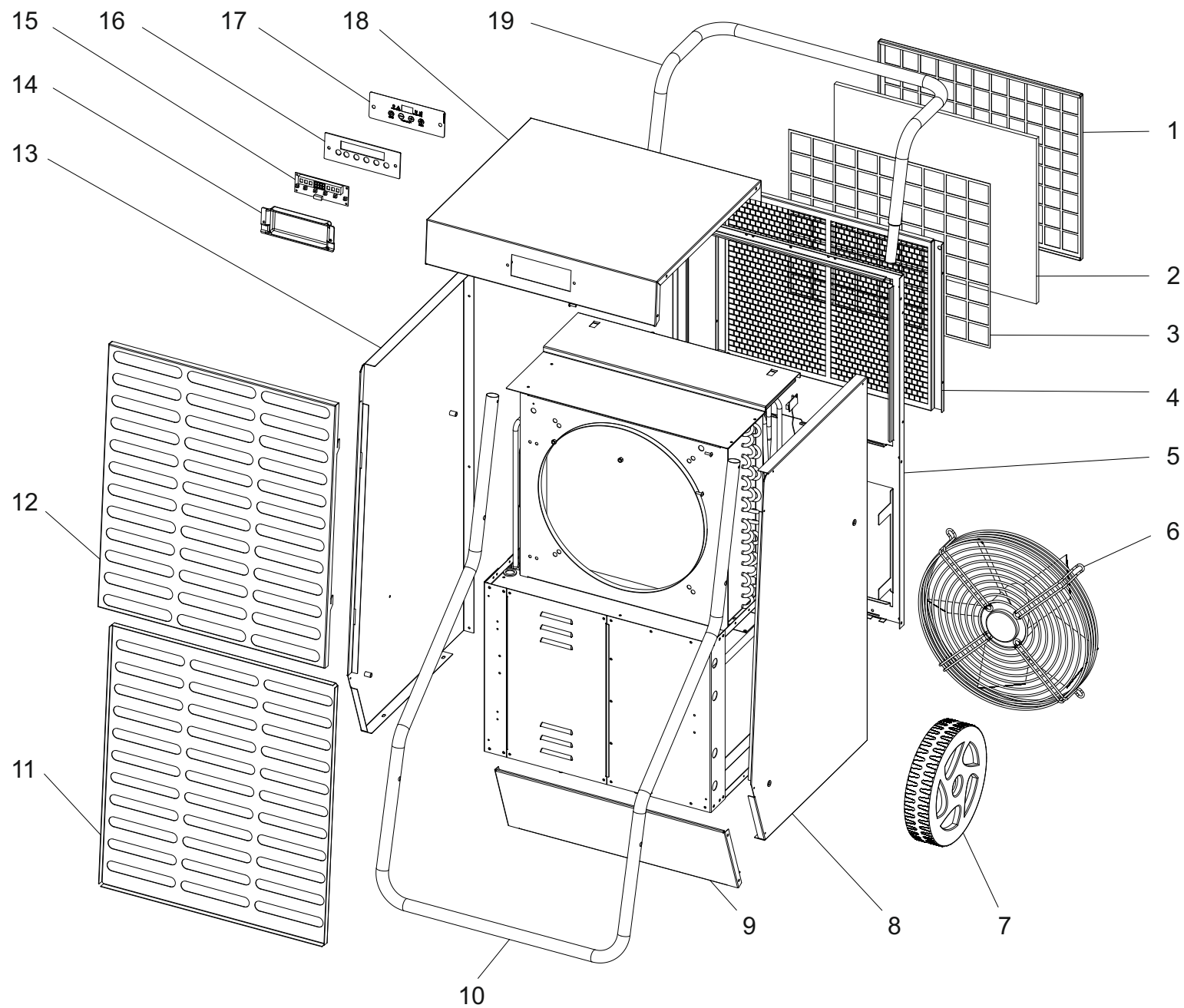
MODEL DH 92 (R1234)

UNIT 1

ILLUSTRATED PARTS BREAKDOWN

From Serial Number :

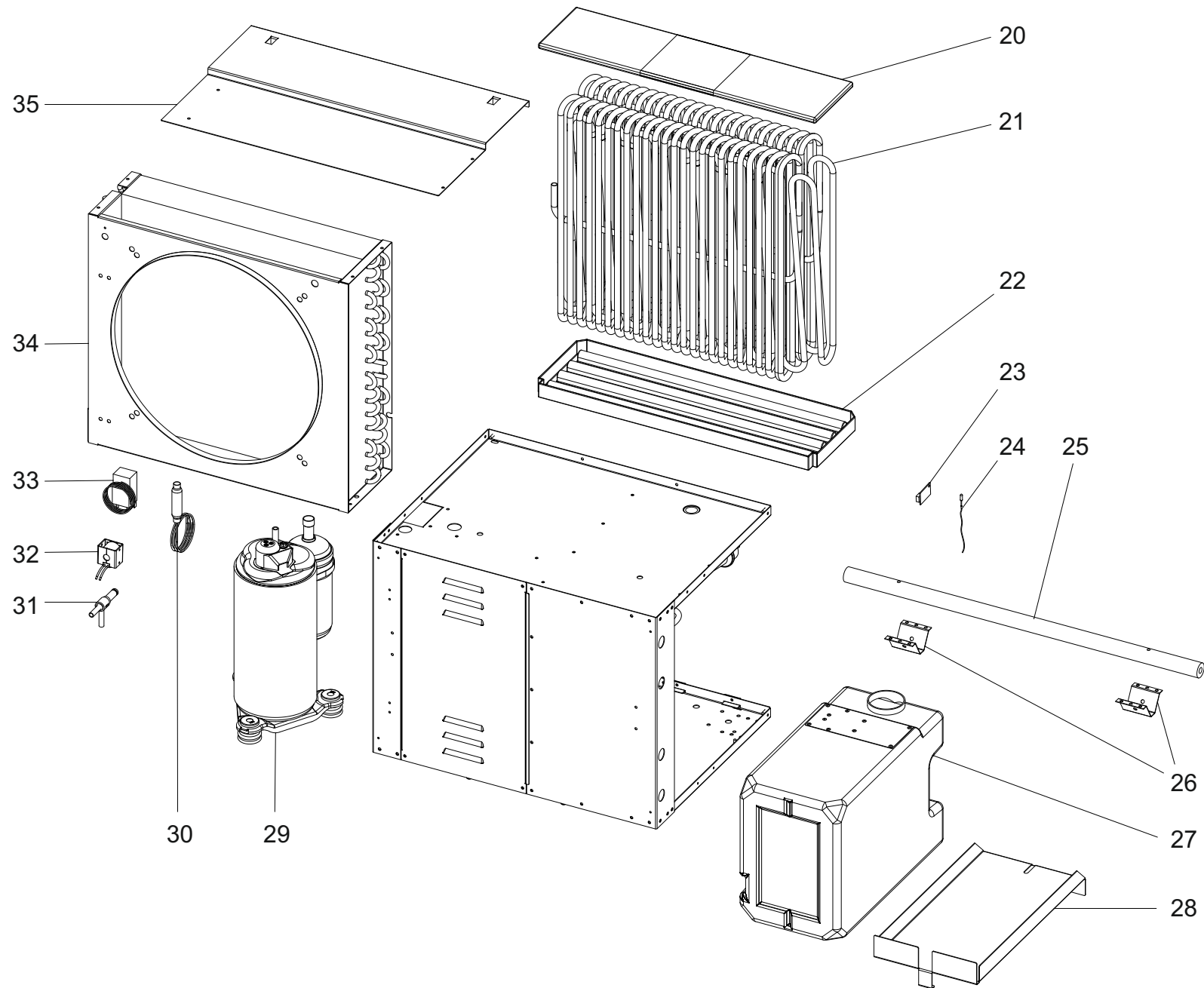
Rev. - - Nov. 2020



MODEL DH 92 (R1234)

UNIT 2

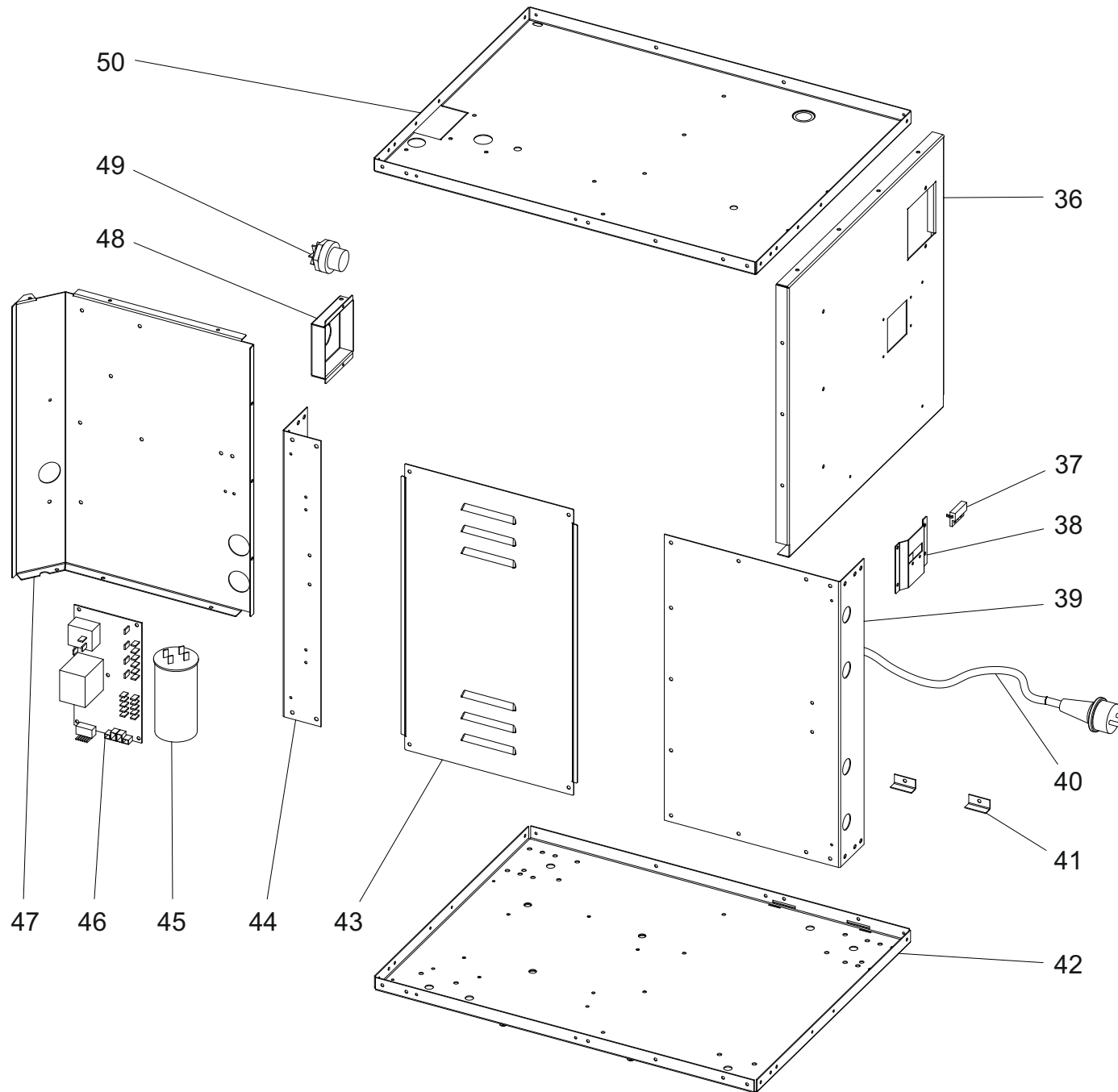
ILLUSTRATED PARTS BREAKDOWN



MODEL DH 92 (R1234)

UNIT 3

ILLUSTRATED PARTS BREAKDOWN



MODEL DH 92

UNIT 2

PARTS LIST

N°	CODE	DESCRIPTION
1	4140.229	FILTER SEAT
2	4140.228	AIR FILTER
3	4140.160	BACK FILTER
4	4141.626	INSIDE GRILLE
5	S/R	BACK PANEL
6	4140.166	FAN
7	4140.219	WHEEL
8	4141.627	SIDE PANEL RIGHT
9	4141.629	LOWER FRONT PANEL
10	4140.233	HANDLE PIPE
11	4141.630	INSIDE GRILLE
12	4141.593	OUTSIDE GRILLE
13	4141.628	SIDE PANEL LEFT
14	4141.653	DISPLAY PROTECTION
15	4141.607	DIGIT DISPLAY
16	4141.585	DISPLAY SUPPORT
17	4141.600	DISPLAY LABEL
18	4141.631	COVER
19	4140.232	HANDLE
20	S/R	TOP TRAY
21	4141.632	EVAPORATOR
22	S/R	LOWER CONDENSATE COLLECTING TRAY
23	4141.652	HUMIDITY SENSOR
24	4141.654	TEMPERATURE PROBE
25	4140.173	AXIL WHEEL
26	4141.633	AXIL WHEEL SUPPORT
27	4141.603	TANK
28	S/R	TANK SUPPORT
29	4141.634	KIT COMPRESSOR
30	4141.635	REFRIGERANT FILTER WITH CAPILLARY
31	4141.582	SOLENOID VALVE
32	4141.588	COIL
33	4141.592	THERMOSTAT
34	4141.636	CONDENSER
35	S/R	SUPPORT EVAPORATOR
36	S/R	VERTICAL PANEL
37	4140.430	SENSOR TANK
38	S/R	SENSOR TANK SUPPORT
39	S/R	TANK VANE PANNEL
40	4140.479	CABLE
41	S/R	SUPPORT BOTTOM TANK
42	S/R	BOTTOM PANEL
43	S/R	ELETTRICAL VANE PANNEL
44	S/R	UPPERCUT
45	4141.655	RUN CAPACITOR
46	4141.606	ELECTRONIC CARD
47	S/R	ELETTRICAL VANE
48	S/R	CONNECTOR SUPPORT
49	4141.651	CONNECTOR 6 PIN
50	S/R	PLANE INTERMEDIATE