

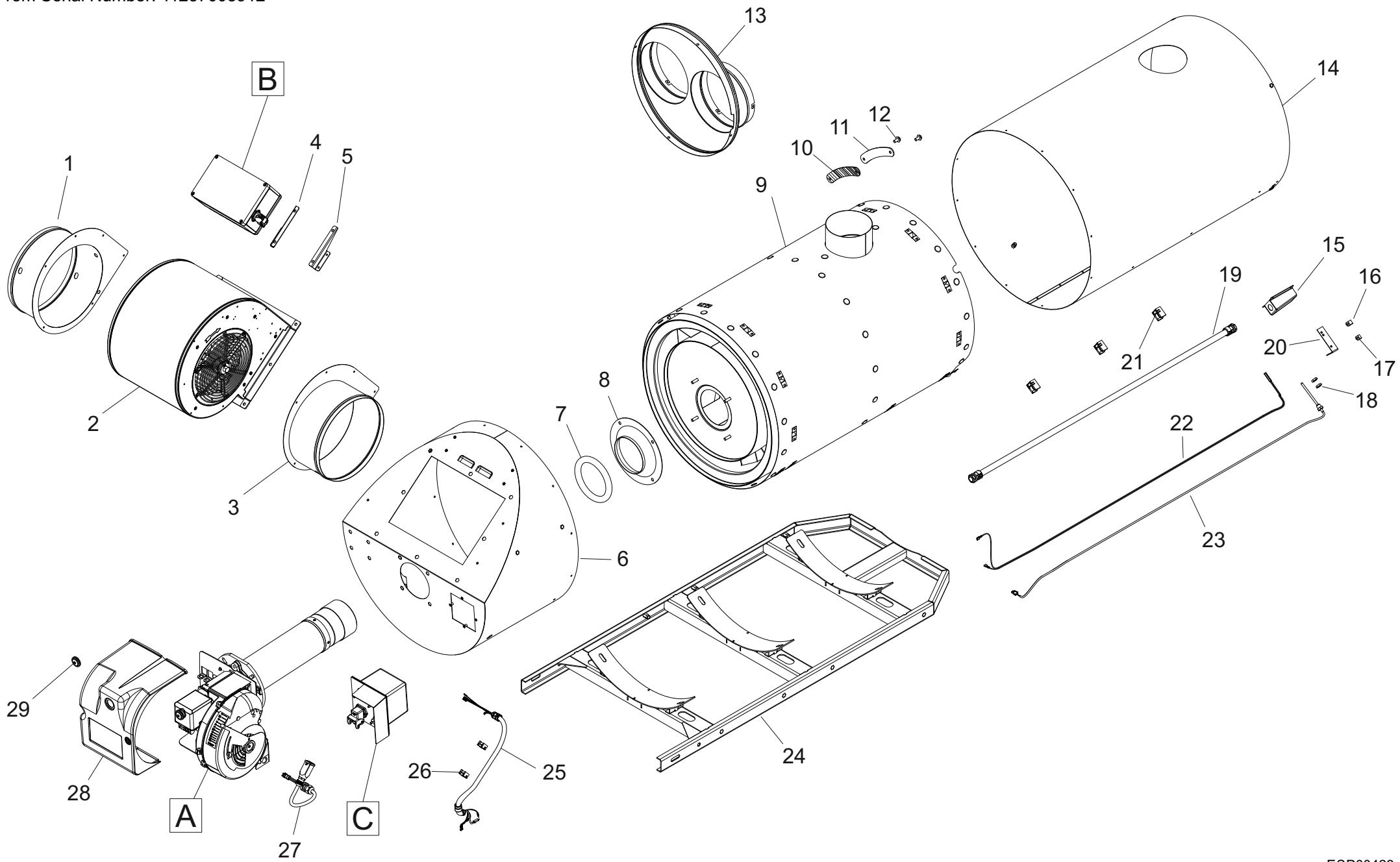
MODEL BV500 R - 230 V / 50 Hz

UNIT 1

ILLUSTRATED PARTS BREAKDOWN

From Serial Number: 11237003912

Rev -- Sept. 2017



MODEL BV500 R - 230 V - 50 Hz

UNIT 2

PARTS LIST

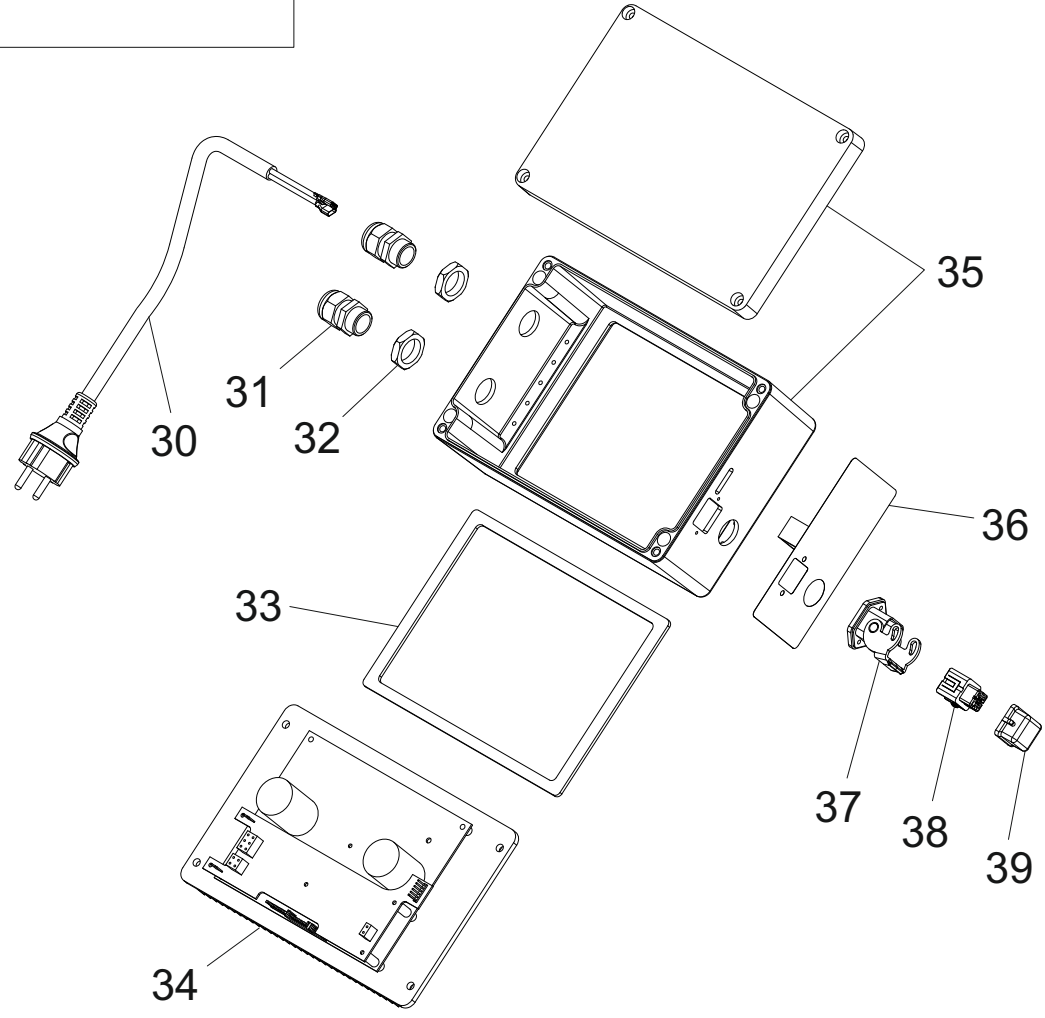
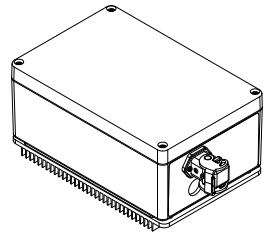
Pos.	Code N°	Description
1	4034.366	LEFT CANALIZATION FLANGE
2	4034.323	CENTRIFUGAL FAN
3	4034.367	RIGHT CANALIZATION FLANGE
4	4034.624	LEFT CONTROL PANEL SUPPORT
5	4033.627	RIGHT CONTROL PANEL SUPPORT
6	4034.328	CENTRIFUGAL MOTOR SUPPORT
7	4033.642	FIBER ROPE
8	4033.636	COMPENSATION FLANGE
9	4033.601	COMBUSTION CHAMBER
10	4033.618	INSPECTION FIBER GASKET
11	4033.617	INSPECTION FLANGE
12	4117.183	SCREW
13	4034.480	TWO WAY OUTLET PANEL
	4034.482	ONE WAY OUTLET PANEL
14	4033.971	EXTERNAL SHELL
15	4033.710	THERMOSTATS BOX
16	4033.879	CLIP
17	4033.700	CLIP
18	4033.644	NUT
19	4034.736	EXTERNAL PIPE
20	4033.814	THERMOSTATS BRACKET
21	4034.738	PIPE SUPPORT
22	4033.498	THERMOSTAT
23	4034.431	NTC SENSOR
24	4034.209	COMPLETE GLIDE
25	4034.434	CONTROL BOX WIRE
26	4034.738	CLAMP
27	4034.422	BURNER POWER CORD
28	4033.793	BURNER COVER
29	4033.803	BURNER RESET CAP

MODEL BV500 R - 230 V / 50 Hz

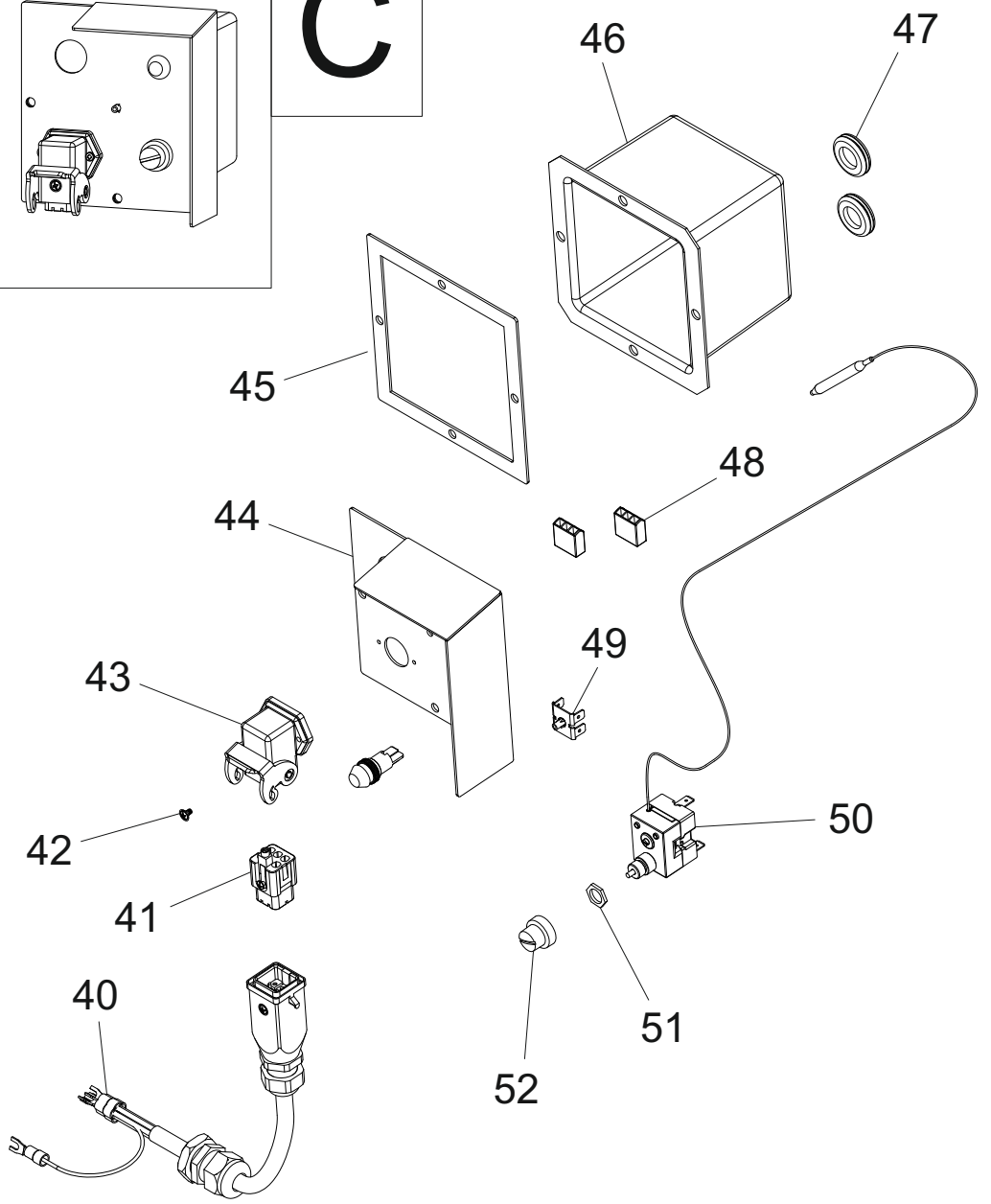
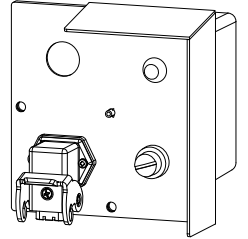
UNIT 3

ILLUSTRATED PARTS BREAKDOWN

B



C



MODEL BV500 R - 230 V - 50 Hz

UNIT 4

PARTS LIST

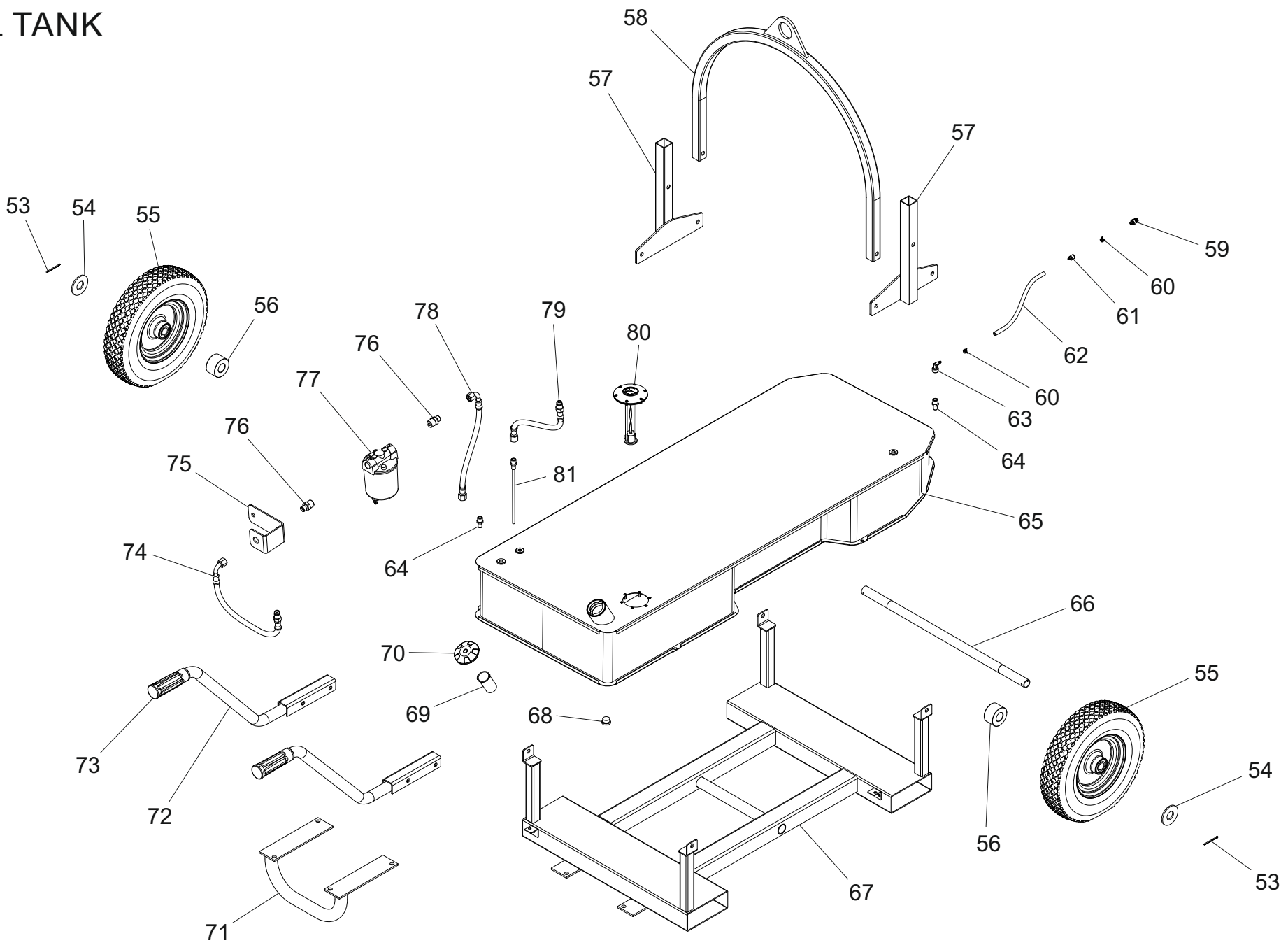
Pos.	Code N°	Description
30	4034.593	POWER CORD SCHUKO
31	4150.528	STRAIN RELIEF
32	4100.656	NUT
33	4034.654	DRIVER GASKET
34	4034.485	DRIVER
35	4034.399	ALUMINIUM BOX
36	4034.492	POWER BUTTON LABEL
37	4514.611	ROOM THERMOSTAT SOCKET
38	4161.400	ROOM THERMOSTAT PLUG
39	4162.467	ROOM THERMOSTAT CAP
40	4034.422	BURNER POWER CORD
41	4034.502	PLUG
42	4034.501	IP 67 SCREW
43	4034.500	SOCKET
44	4034.447	METAL PANEL
45	4033.784	GASKET
46	4033.785	PLASTIC COVER
47	4162.500	RUBBER RING
48	4117.669	TERMINAL BOX
49	4160.639	GROUND RIVET
50	4033.789	SAFETY MANUAL RESET THERMOSTAT
51	4033.906	NUT
52	4033.905	SAFETY THERMOSTAT CAP

MODEL BV500 R - 230 V / 50 Hz

UNIT 5

ILLUSTRATED PARTS BREAKDOWN

METAL TANK



MODEL BV500 R - 230 V - 50 Hz

UNIT 6

PARTS LIST

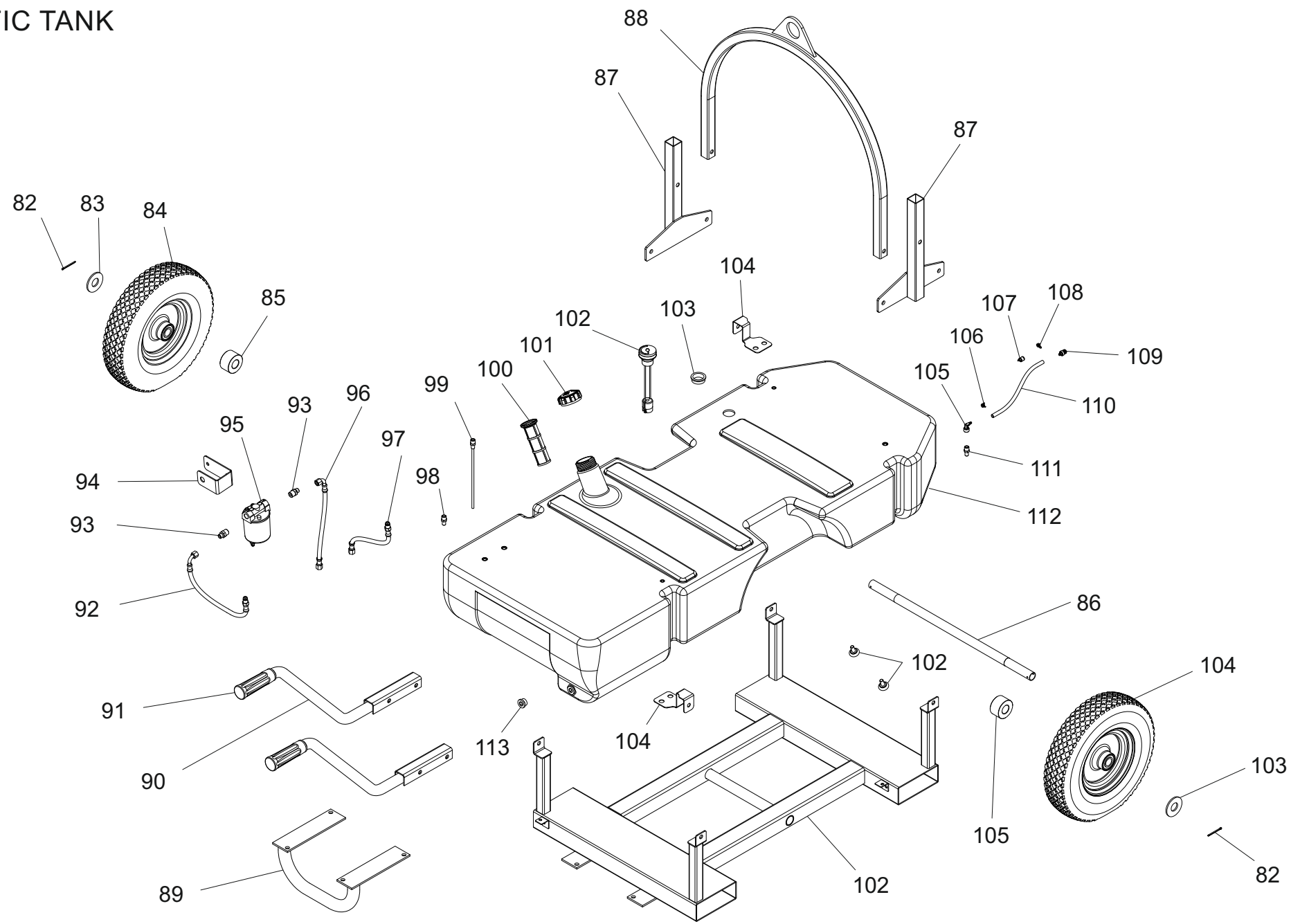
Pos.	Code N°	Description
53	4034.214	COTTER PIN
54	4034.213	WASHER
55	4034.211	PNEUMATIC WHEEL
56	4033.470	BUSHING
57	4034.747	LIFTING FOOT
58	4034.751	LIFTING ARCH
59	4260.246	BREATHE VALVE
60	4110.159	BIFILAR CLIP
61	4034.309	CLIP
62	4110.395	RUBBER PIPE
63	4034.308	90° CONNECTION
64	4031.068	STRAIGHT CONNECTION
65	4033.994	TANK
66	4033.467	AXLE
67	4033.443	CHASSIS
68	4032.813	DRAIN PLUG
69	4033.999	FUEL FILTER
70	4033.992	TANK CAP
71	4033.455	CHASSIS FOOT
72	4033.451	HANDLE
73	4034.210	PLASTIC HANDLE
74	4031.061	FUEL PIPE FILTER-BURNER
75	4033.997	FILTER BRACKET
76	4034.378	STRAIGHT CONNECTION
77	4034.317	FUEL FILTER
78	4034.253	FUEL PIPE TANK-FILTER
79	4034.300	FUEL PIPE BURNER-TANK
80	4034.254	FUEL GAUGE
81	4034.252	SUCTION PIPE

MODEL BV500 R - 230 V / 50 Hz

UNIT 7

ILLUSTRATED PARTS BREAKDOWN

PLASTIC TANK



MODEL BV500 - 230 V - 50 Hz

UNIT 8

PLASTIC TANK

PARTS LIST

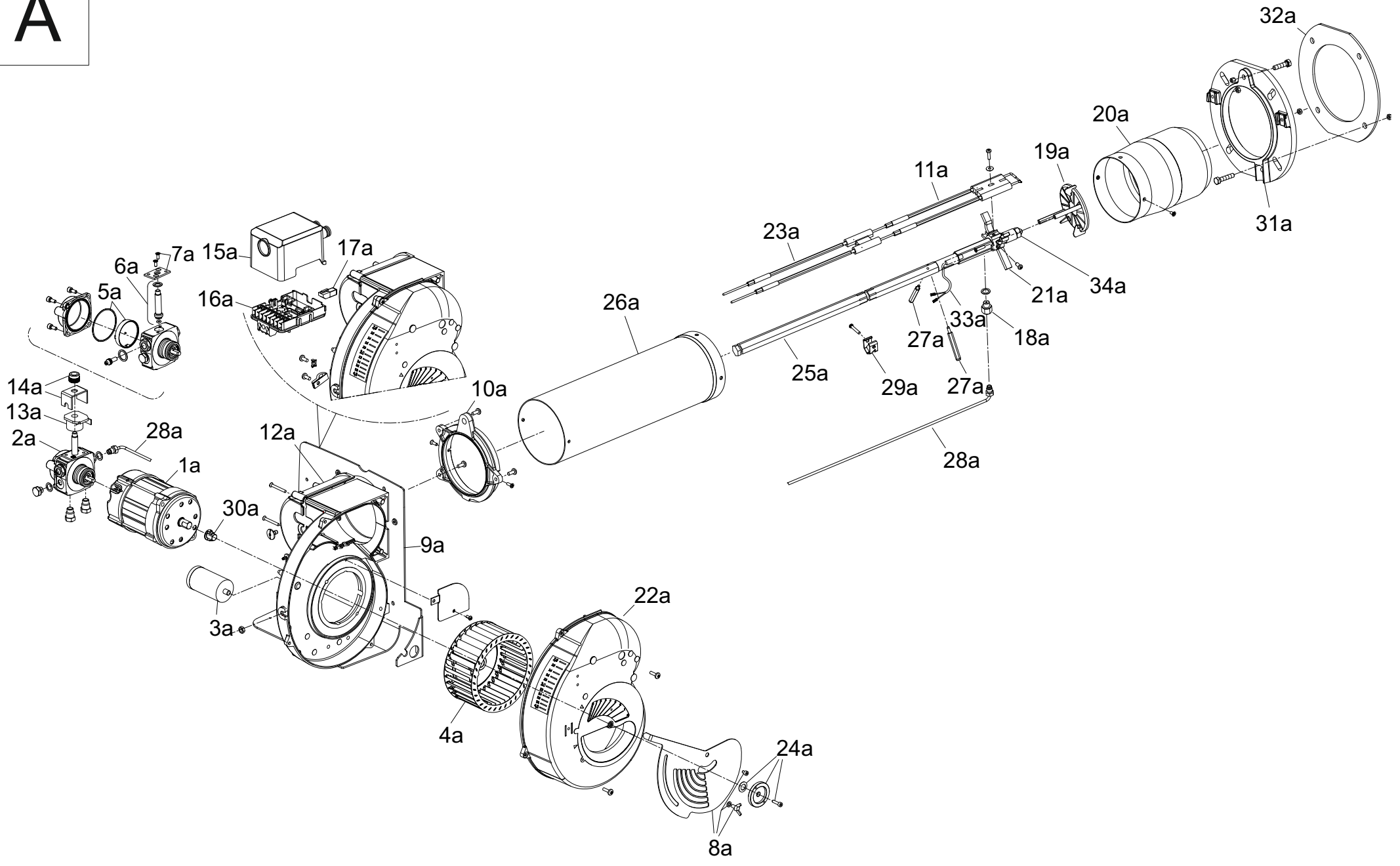
Pos.	Code N°	Description
82	4034.214	COTTER PIN
83	4034.213	WASHER
84	4034.211	PNEUMATIC WHEEL
85	4033.470	BUSHING
86	4033.467	WHEELS AXLE
87	4034.747	COLUMN FOR LIFTING
88	4034.751	ARCH FOR LIFTING
89	4033.455	FOOT
90	4033.451	HANDLE
91	4034.210	PLASTIC HANDLE
92	4031.061	OIL PIPE
93	4031.064	STRAIGHT CONNECTION
94	4033.997	FILTER BRACKET
95	4034.317	FUEL FILTER
96	4034.253	OIL PIPE
97	4034.300	OIL PIPE
98	4031.068	STRAIGHT CONNECTION
99	4034.217	SUCTION PIPE
100	4201.185	TANK FILTER
101	4032.704	TANK CAP
102	4034.457	FUEL GAUGE
103	4034.458	FUEL GAUGE PLASTIC CONNECTION
104	4034.745	TANK BRACKET
105	4034.308	90° CONNECTION
106	4110.159	CLIP
107	4034.309	RUBBER CLIP
108	4100.810	CLIP
109	4260.246	BREATHE VALVE
110	4104.147	RUBBER PIPE
111	4031.068	STRAIGHT CONNECTION
112	4033.469	FUEL TANK
113	4032.813	TANK DRAIN CAP

MODEL BV500 R - 230 V / 50 Hz

UNIT 9

ILLUSTRATED PARTS BREAKDOWN

A



MODEL BV500 R - 230 V - 50 Hz

UNIT 10

PARTS LIST

Pos.	Code N°	Description
1a	4614.328	MOTOR
2a	4614.270	PUMP
3a	4614.329	CAPACITOR
4a	4614.043	FAN
5a	4614.044	FILTER
6a	4614.047	NEEDLE VALVE
7a	4614.272	PLATE
8a	4614.292	AIR DAMPER
9a	4614.302	FRONT SHIELD
10a	4614.295	COLLAR
11a	4034.196	ELECTRODE
12a	4614.297	COVER
13a	4614.037	COIL
14a	4614.055	SHELL AND KNOB
15a	4614.102	CONTROL BOX
16a	4614.056	TERMINAL BOARD
17a	4614.051	CELL CONNECTOR
18a	4034.197	CONNECTOR
19a	4034.198	END RING AND DIFFUSER DISK
20a	4614.320	BLAST TUBE
21a	4034.199	CROSS
22a	4614.318	AIR INTAKE
23a	4614.331	INSULATOR
24a	4614.309	SUPPORT FOR AIR DAMPER
25a	4614.308	EXTENSION SLIDE
26a	4614.299	END CONE
27a	4614.307	SPACER
28a	4034.401	TUBE
29a	4614.041	ELECTRODE BRACKET
30a	4614.021	JOINT
31a	4614.016	FLANGE
32a	4614.061	FLANGE GASKET
33a	4614.330	NOZZLE HOLDER ASS.Y
	4033.562	NOZZLE STAINEN 1.75 GPH 60° TYPE S
	4033.563	NOZZLE STAINEN 2.00 GPH 60° TYPE S
34 a	4033.564	NOZZLE STAINEN 2.25 GPH 60° TYPE S
	4033.558	NOZZLE STAINEN 2.50 GPH 60° TYPE S
	4033.559	NOZZLE STAINEN 2.75 GPH 60° TYPE S
	4033.560	NOZZLE STAINEN 3.00 GPH 60° TYPE S