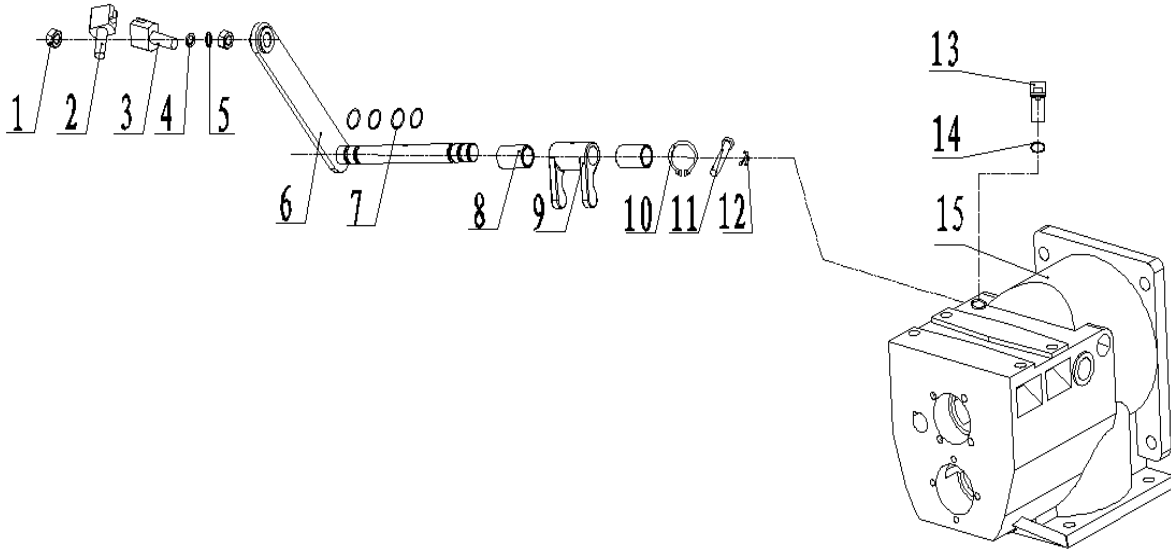
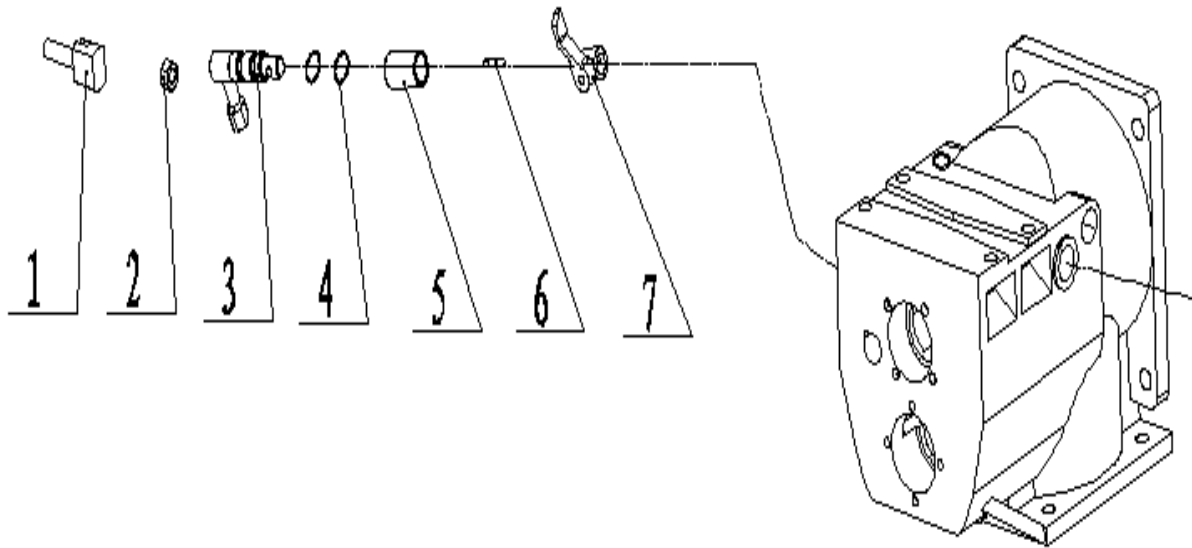


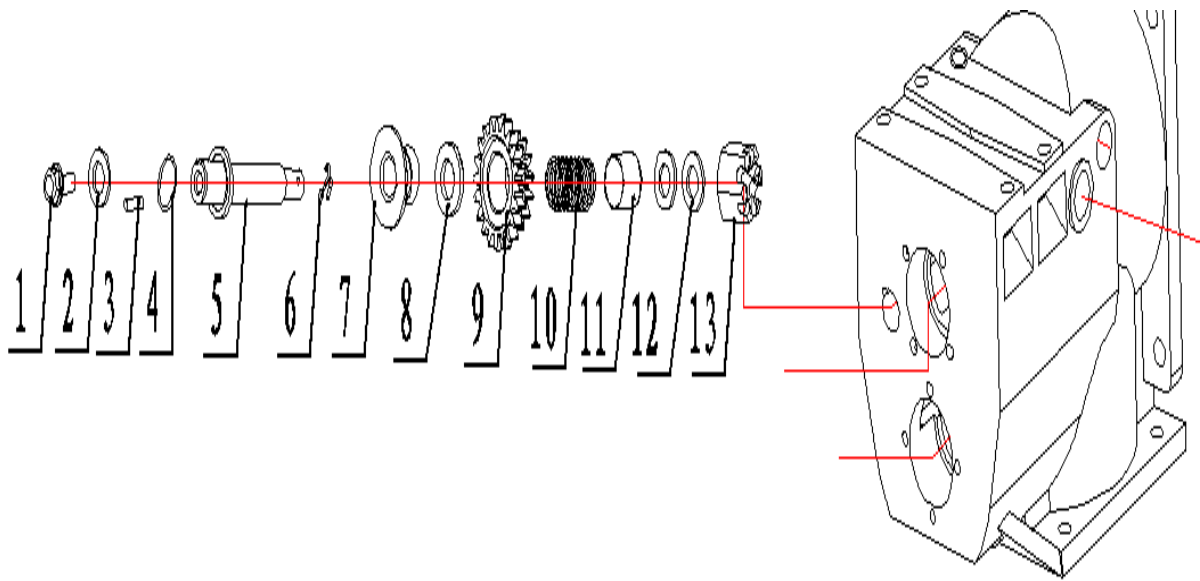
MS7100CF



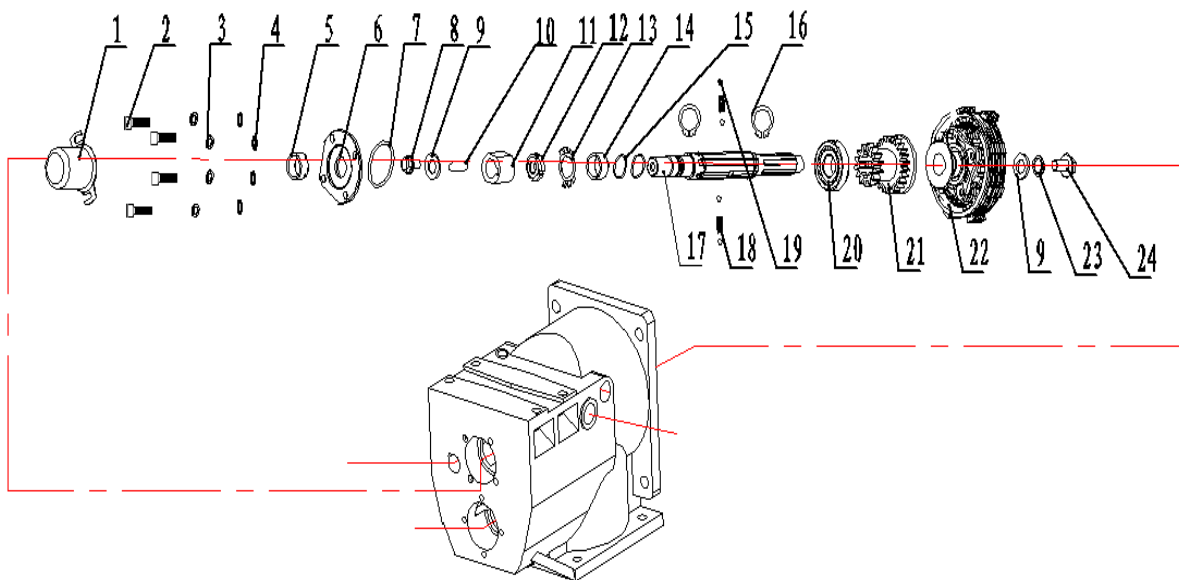
POS	PART NUMBER	DESCRIPTION	QTY
1	2630100287	Nut M8	2
2	20603002600	Clutch cable seat	1
3	20603002400	Clutch rope seat	1
4	2630101705	Spring washer φ8	2
5	2630102093	Flat washer φ8	1
6	20206001600	Clutch fork shaft φ112*265	1
7	20901000500	O-ring φ112*265	4
8	20701000800	Bushing for clutch fork shaft Φ16*Φ20*31	2
9	20205000300	Fork	1
10	20703000800	Clip of axes Φ16	1
11	2630102503	B Pin with hole φ6*28	1
12	2630102098	Cotter pin 16*20	1
13	25106003800	Oil dipstick 120mm	1
14	20901007500	O-ring Φ24*Φ17*35	1
15	20101018900	Gear box	1



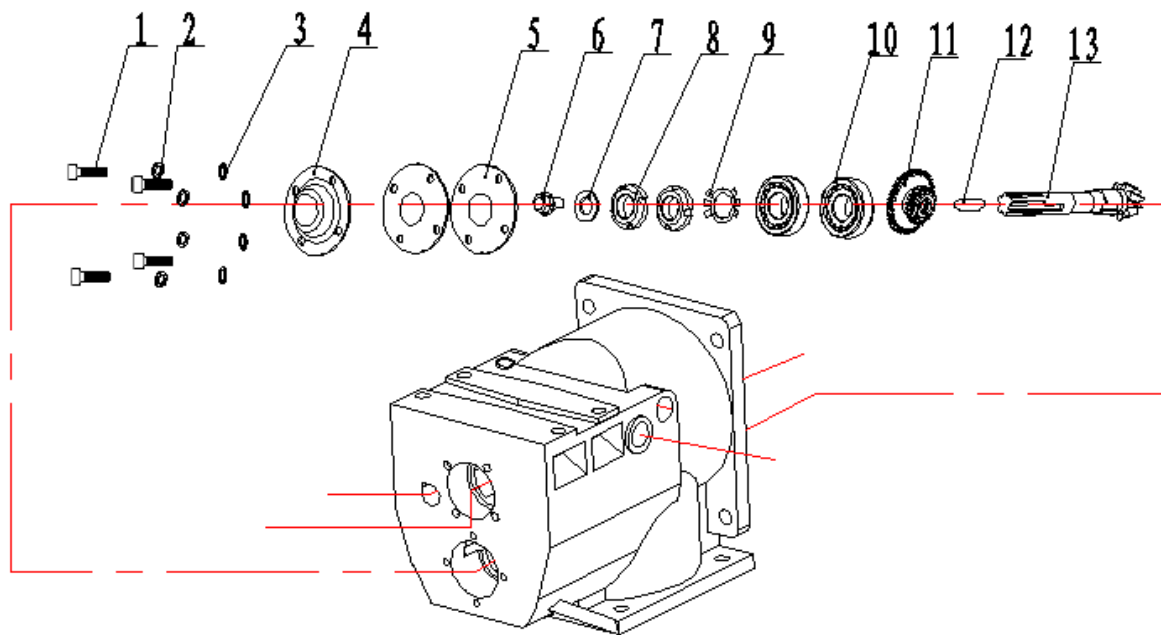
POS	PART NUMBER	DESCRIPTION	QTY
1	20603002500	Reverse gear rope seat	1
2	2630100287	Nut M8	1
3	20206006600	Reverse gear fork shaft	1
4	20901000500	O-ring $\Phi 16*\Phi 20*31$	2
5	20701000800	Bushing for clutch fork shaft $\Phi 16*\Phi 20*31$	1
6	2630100009	Threaded cylindrical pin M5*30	1
7	20205000500	Reverse gear fork	1



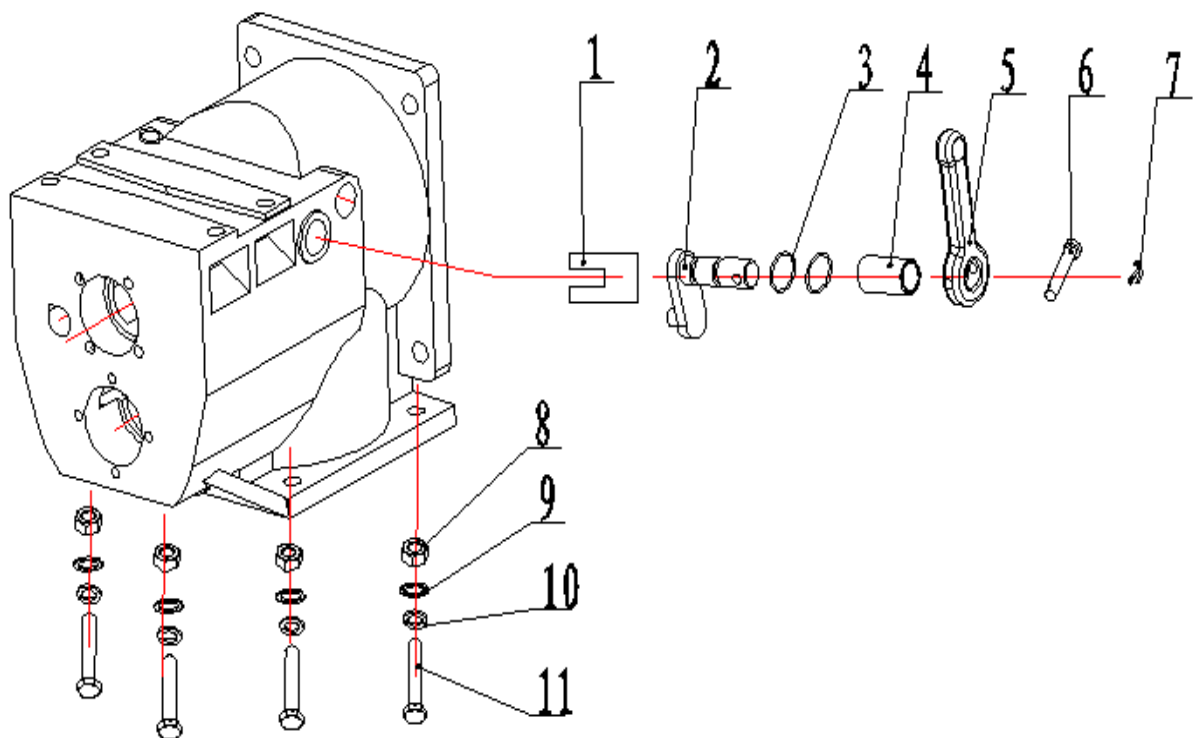
POS	PART NUMBER	DESCRIPTION	QTY
1	2630102319	Bolt M10*25	1
2	2630102345	Flat washer 105*22*4	1
3	2630102538	Cylindrical pin $\phi 5 \times 10$	1
4	20901000900	O ring $\phi 18 \times 18$	1
5	20201002300	Reverse gear axes 127mm	1
6	2630101884	Cotter pin 16*20 25*30	1
7	20604000400	Reverse gear pulling plate	1
8	20604000300	Reverse gear spring seat	1
9	20202004700	Reverse gear wheel	1
10	20704000400	Spring of reverse gear	1
11	20604038100	Limit plate of reverse gear	1
12	2630102346	Flat washer $\phi 12$	2
13	2630102484	Six-angle nut M12	1



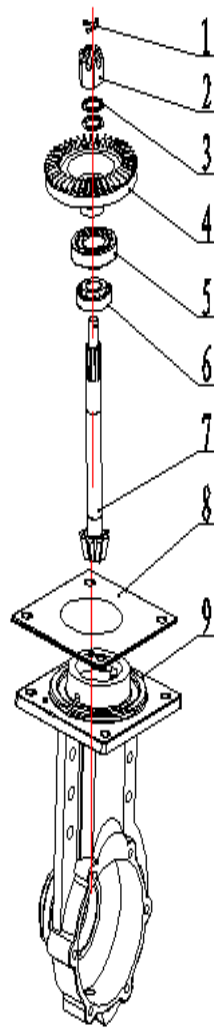
POS	PART NUMBER	DESCRIPTION	QTY
1	20501014700	Main shaft protection cover	1
2	2630102329	Hexagon screw M6*20	4
3	2630102308	Spring washer φ6	4
4	2630102092	Flat Washer φ6	4
5	2630100601	Oil Seal 25*40*7	1
6	20604044100	Main shaft plate	1
7	20901006500	O-ring φ425*265	1
8	2630101808	Bolt M8*16	1
9	2630102506	Flat washer 8*32*2	2
10	2630100030	Flat key 6*6*20	1
11	20604040100	Bushing for flat key	1
12	2630101722	Round nut M20*15	1
13	2630100413	Tab washer Φ20	1
14	20701000600	Bushing for main shaft	1
15	20901000900	O-ring φ18*18	2
16	20703000700	Clip of axes Φ25	1
17	20201000300	Main shaft 250mm	1
18	20704000500	Retaining spring φ08	2
19	20604000100	Fork limited steel ball Sφ63	4
20	26302002200	Deep groove ball bearing 6204	1
21	20202001300	Main shaft double tooth gear wheel	1
22	20209000202	Clutch core	1
23	2630101225	Spline gasket φ8	1
24	2630101808	Bolt M8*16	1



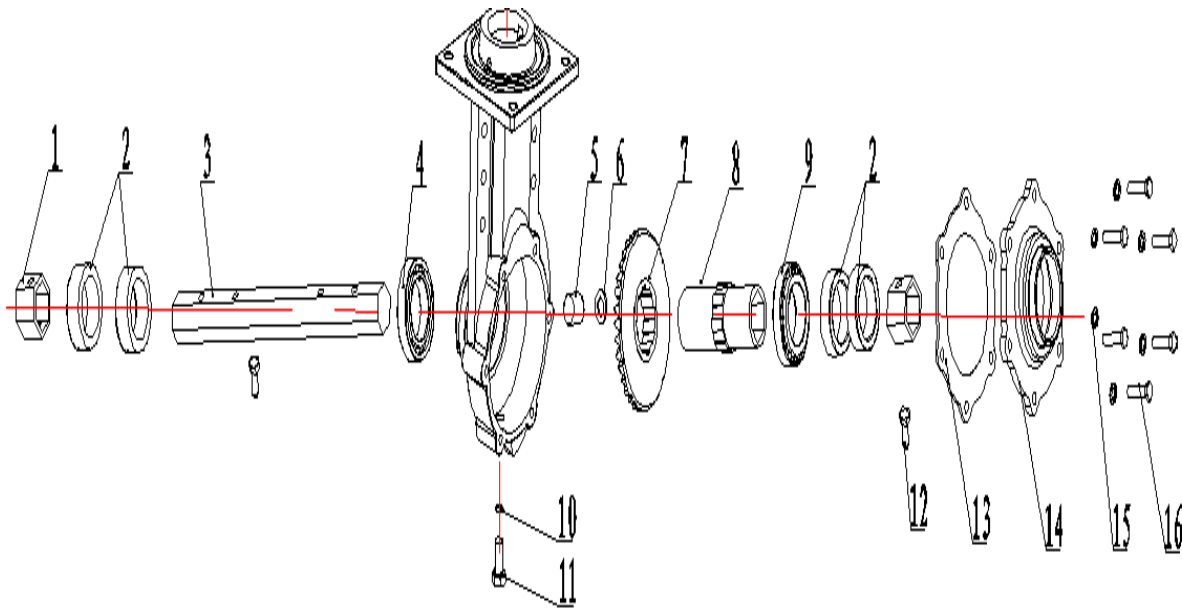
POS	PART NUMBER	DESCRIPTION	QTY
1	2630102329	Hexagon screw M6*20	4
2	2630102308	Spring washer φ6	4
3	2630102092	Flat washer φ6	4
4	20604038200	Countershaft cap	1
5	20905002800	Paper gasket for counter shaft cap 05mm	2
6	2630101808	Bolt M8*16	1
7	2630102506	Flat washer 8*32*2	1
8	2630101722	Round nut M20*15	2
9	2630100413	Tab washer Φ20	1
10	26302001400	Tapered roller bearing 30204	2
11	20202001900	Double-tooth countershaft gear wheel	1
12	2630100409	Flat key 8*7*20	1
13	26702000017	Countershaft	1



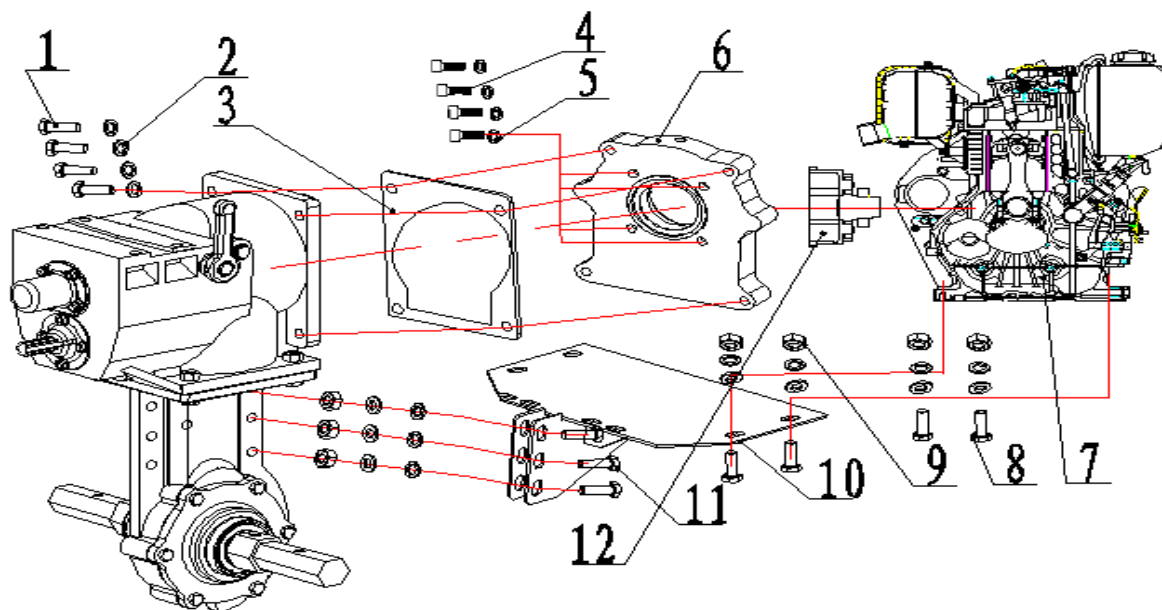
POS	PART NUMBER	DESCRIPTION	QTY
1	20604001000	Shift fork	1
2	20206002000	Shift fork axle	1
3	20901000500	O-ring $\phi 112 \times 265$	2
4	20701000700	Bushing shift fork axle	1
5	20304001200	Shift arm	1
6	2630102500	B Pin with hole $\phi 6 \times 40$	1
7	2630102098	Cotter pin 16*20	1
8	2630101777	Nut M10	4
9	2630102095	Spring Gasket $\phi 10$	4
10	2630102094	Flat washer $\phi 10$	4
11	2630102512	Bolt M10*40	4



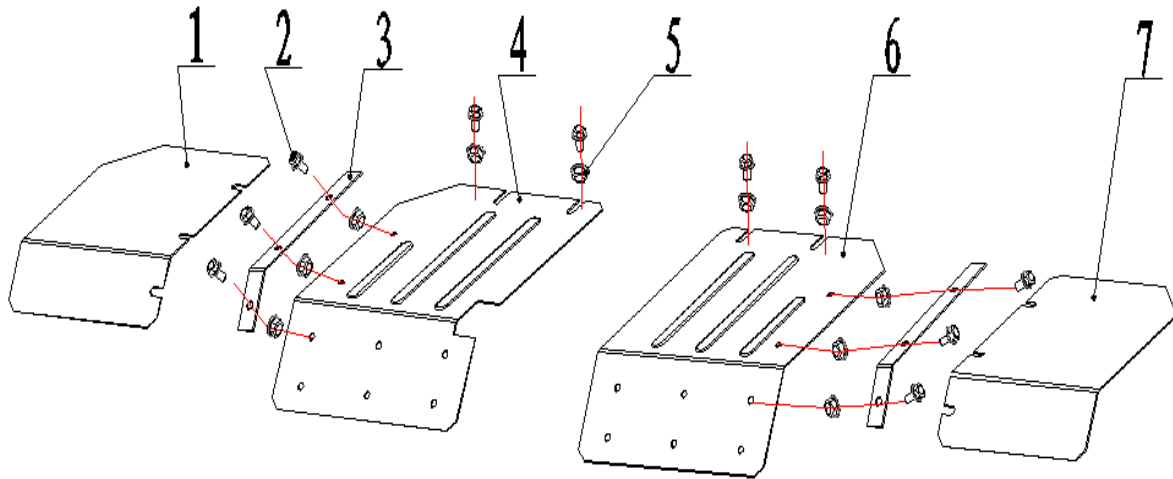
POS	PART NUMBER	DESCRIPTION	QTY
1	2630101884	Cotter pin 25*30	1
2	2630102484	Six-angle nut M12	1
3	2630102346	Flat washer φ12	2
4	26702000021	Bevel gear	1
5	26302001500	Tapered roller bearing 30206	1
6	26302001400	Tapered roller bearing 30204	1
7	20201017300	Bevel gear shaft	1
8	20905001200	Paper pad for transmission box	1
9	20101019000	Transmission box	1



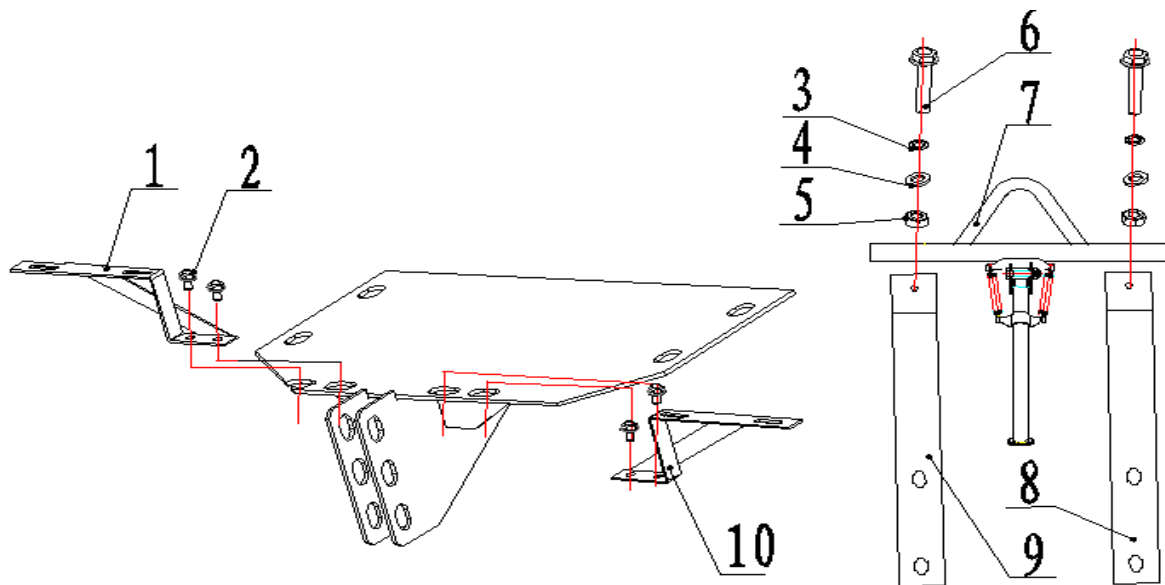
POS	PART NUMBER	DESCRIPTION	QTY
1	20701003000	Hexagonal fixed sets	2
2	2630100460	Oil Seal 45*62*8	4
3	20201001700	Hexagonal output axes tube	1
4	26302002000	Deep groove ball bearing 6009	1
5	20701001900	Output axes tube	1
6	20706000400	Adjustment shims $\phi 455 * \Phi 60 * 05$	1
7	20202002400	Bevel gear	1
8	20701003400	Hexagonal output axes tube	1
9	26302001600	Tapered roller bearing 32009	1
10	20901000600	O-ring $\phi 125 * 30$	1
11	2630102539-1	Drain bolt M12*15*125	1
12	2630102509	Bolt M8*16	2
13	20905001100	Paper pad for transmission box	1
14	20103000700	End cover	1
15	2630101705	Spring washer $\phi 8$	6
16	2630102336	Bolt M8*30	6



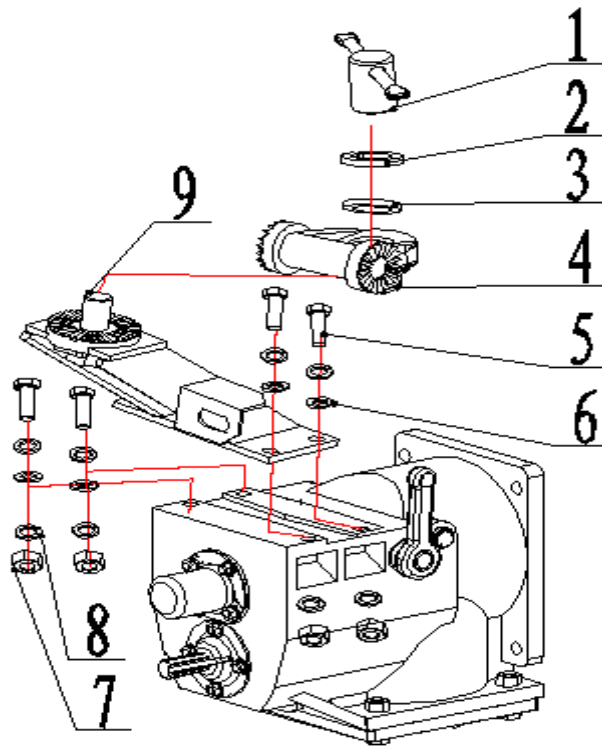
POS	PART NUMBER	DESCRIPTION	QTY
1	2630102339	Bolt M10*35	2
2	2630102095	Spring washer $\varnothing 10$	11
3	20905000500	Paper pad for flange plate 05mm	1
4	2630102513	Hexagon screw M8*30	4
5	2630101705	Spring washer $\varnothing 8$	4
6	20102000700	Flange plate	1
7	5,01028E+11	Engine	1
8	2630102341	Bolt M10*45	4
9	2630101777	Nut M10	11
10	20401001100	Engine support	1
11	2630102512	Bolt M10*40	5
12	20209000201	Clutch cover	1



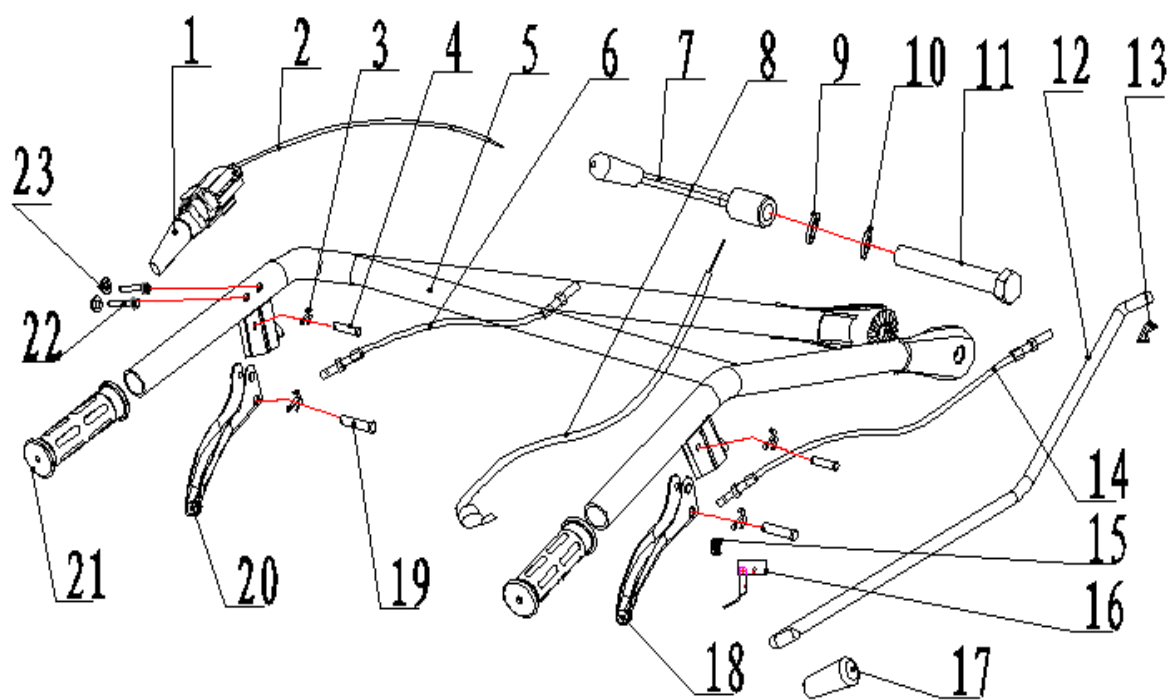
POS	PART NUMBER	DESCRIPTION	QTY
1	20414000700	External fender left	1
2	2630100191	Bolt M6*16	10
3	20414001600	Layering	2
4	20404003300	Internal fender left	1
5	2630100291	Nut M6	10
6	20404004000	Internal fender right	1
7	20414001400	External fender right	1



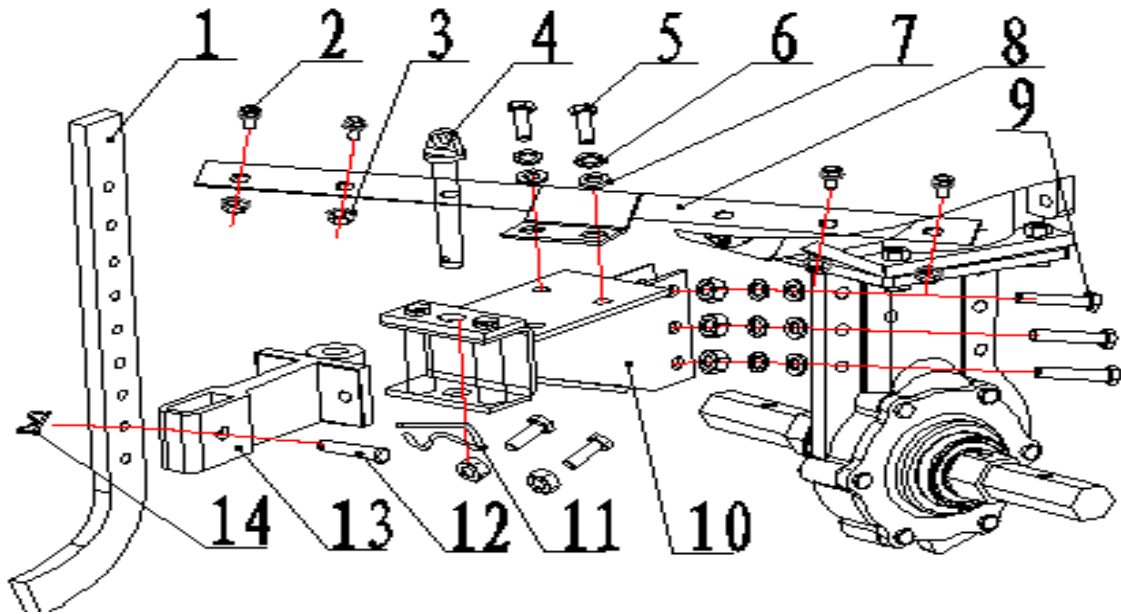
POS	PART NUMBER	DESCRIPTION	QTY
1	20405002300	Front fender bracket left	1
2	2630101808	Bolt M8*16	4
3	2630101705	Spring washer $\phi 8$	2
4	2630102504	Flat washer 8*24*2	2
5	2630100287	Nut M8	2
6	2630102510	Bolt M8*55	2
7	/	Frtong stand	1
8	20402000207	Front bumper right arm	1
9	20402000208	Front bumper left arm	1
10	20405001600	Front fender bracket right	1



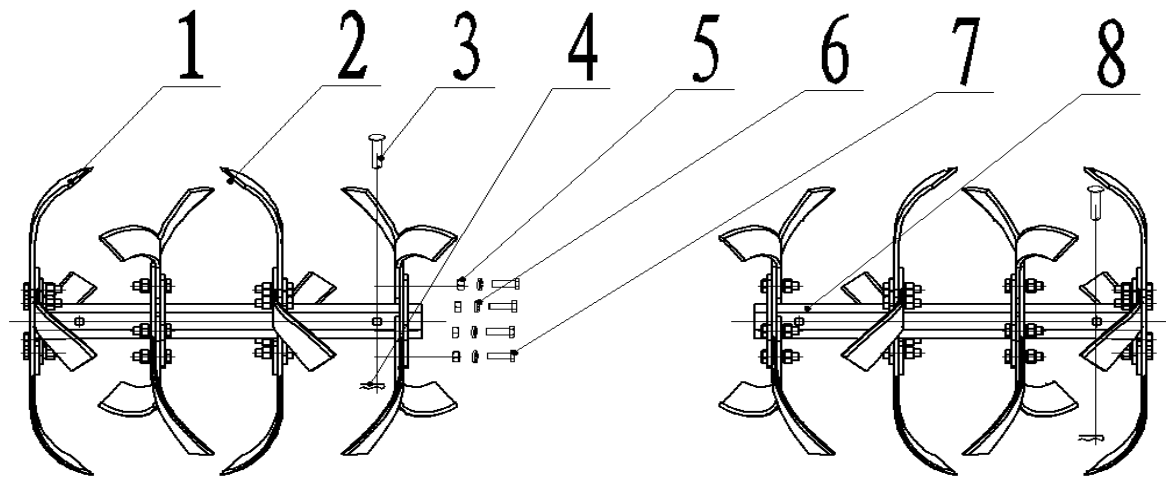
POS	PART NUMBER	DESCRIPTION	QTY
1	20306001800	Chainring locking handle	1
2	2630102327	Spring washer 20*32*5	1
3	2630102322	Flat washer φ20	1
4	20410001000	Chainring board	1
5	2630102512	Bolt M10*40	4
6	2630102093	Flat washer φ8	4
7	2630100287	Nut M8	4
8	2630102095	Spring washer φ10	8
9	20409002500	Armrest seat	1



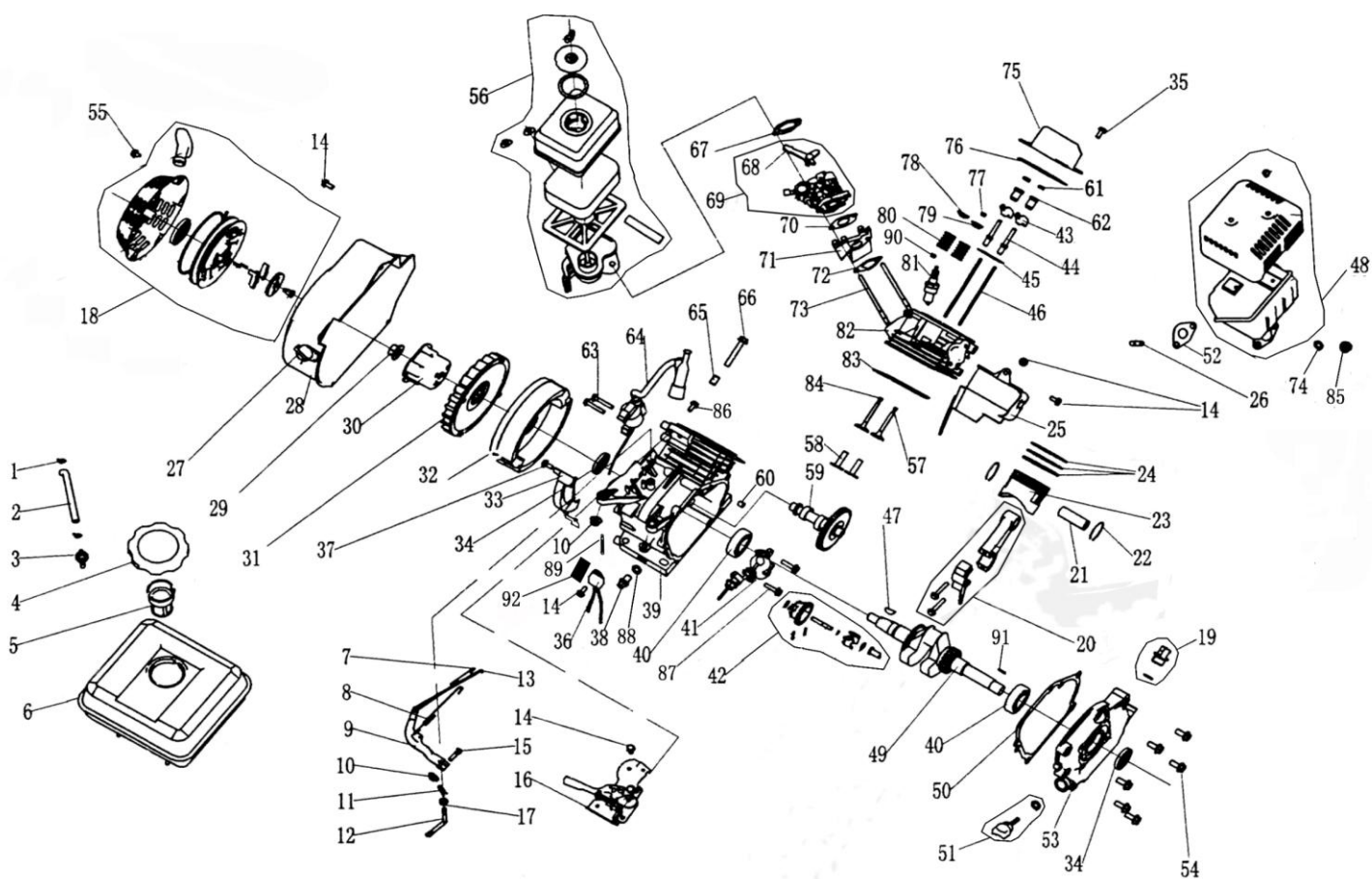
1	20307000700	Emergency stop handle seat	1
	20307006200	Emergency stop handle buckle	1
	20307005400	Emergency stop handle	1
2	20307004200	Emergency stop cable	1
3	2630102098	Cotter pin 16*20	4
4	2630102501	B Pin with hole 7*21	2
5	20408024900	Handle Bar Assy	1
6	20802009400	Clutch cable	1
7	20306001700	Lifting locking handle	1
8	20801003600	Governor switch assy with cable	1
9	2630102326	Spring washer 16*24*4	1
10	2630102323	Flat washer 16*32*2	1
11	2630102315	Bolt M16*150*2	1
12	20301000500	Shift level	1
13	2630102385	B Cotter pin 9*2*38	1
14	20802009300	Reverse gear cable	1
15	20704001100	Reverse gear latch spring	1
16	20501014600	Reverse gear buckle	1
17	20906000100	Lifting locking handle cover	2
18	20305000400	Reverse gear handle	1
19	20601004600	Pin for cable $\phi 10 \times 22$	2
20	20305000200	Cluth handle	1
21	20906003600	Armrest rubber handle	2
22	2630100186-1	Bolt M6*35	2



POS	PART NUMBER	DESCRIPTION	QTY
1	20413000800	Speed control rod	1
2	2630100191	Bolt M6*16	4
3	2630100291	Nut M6	4
4	20601005300	Big Pin	1
5	2630102339	Bolt M10*35	2
6	2630102095	Spring washer ϕ 10	5
7	2630102094	Flat washer ϕ 10	5
8	20405003300	Back fender bracket	1
9	2630102515	Bolt M10*50	5
10	20411000400	Rear connector	1
11	2630102492	B pin with hole 20*80*35	1
12	2630102502	B Pin with hole 8*50	1
13	20412000400	Connector for speed control rod	1
14	2630102385	B pin with hole 9*2*38	1



POS	PART NUMBER	DESCRIPTION	QTY
1	21201016500	Rotary blade right	16
2	21201016400	Rotary blade left	16
3	2630102502	B Pin with hole 8*50	2
4	2630102385	B Cotter pin 9*2*38	2
5	2630101777	Nut M10	32
6	2630101705	Spring washer φ8	32
7	2630102319	Bolt M10*25	32
8	21201004902	Sub hub	2



POS	PART NUMBER	DESCRIPTION	QTY
1	25507001000	CLIP TUBE	2
2	25506000100	TUBE FUEL	1
3	25505005206	JOINT ASSY FUEL TANK	1
4	25505005201	CAP COMP FUEL FILLER	1
5	25505005205	FILTER FUEL	1
6	26701000051-3	TANK COMP FUEL	1
7	25402000200	SPRING THROTTLE RETURN	1
8	25402000300	SPRING THROTTLE RETURN	1
9	25404000100	ARM GOVERNOR	1
10	2630100274	NUT FLANGE	5
11	2630100340	PIN LOCK	1
12	25103000100	SHAFT GOVERNOR ARM	1
13	25403000100	ROD GOVERNOR	1
14	2630100170	BOLT FLANGE	9
15	2630100092	BOLT QUADRATE HEAD	1
16	/	CONTROL ASSY	1
17	2630100370	WASHER PAIN	1
18	10623100193E	COVER COMP FAN	1
19	/	OIL STICK	1

20	26701000295	CONNECTING ROD	1
21	/	PIN PISTON	1
22	25110000100	CLIP PISTON PIN	2
23	25108004400	PISTON	1
24	26701000009	RING SET	1
25	25206000100	SHROUD	1
26	2630100045	BOLT STUD EXHAUST	2
27	25305000200	SWITCH ASSY ENGINE STOP(OIL ALERT)	1
28	/	COVER COMP FAN	1
29	2630100278	NUT SPECIAL	1
30	25203000100	PULLEY STARTER	1
31	25204000200	FAN COOLING	1
32	25301000100	FLYWHEEL COMP	1
33	25207000100	DIVERSION ASSY	1
34	25117000100	OIL SEAL25*4125*6	2
35	2630100173	BOLT FLANGE	4
36	25104000700	ALART UNIT OIL	1
37	2630100178	BOLT FLANGE	1
38	2630100149	BOLT DRAIN PLUG	2
39	/	CRANK CASE	1
40	26302006000	BEARING RADIAL BALL	2
41	25104000100	OIL LEVEL SWITCH	1
42	25102000100	GEAR GOVERNOR	1
43	25005000104	ARM VALVE ROCKER	2
44	25005000103	BOLT PIVOT ARM	2
45	25006000100	PLATE ASSY	1
46	25007000100	ROD PUSH	2

POS	PART NUMBER	DESCRIPTION	QTY
47	2630101036	KEY SPECIAL WOODRUFF	1
48	/	MUFFLER ASSY	1
49	25115043800	CRANKSHAFT COMP	1
50	26001001100	PACKING CASE COVER	1
51	/	OIL FILLER CAP	1
52	26003000100	GASKET MUFFLER	1
53	25105000800	COVER	1
54	2630100208	BOLT, M8*32	6
55	2630100166	BOLT, M6*10	3
56	26701000047	AIR CLEANER	1
57	25004000100	VALVE EX	1
58	/	LEFTER VALVE	2
59	25116005900	CAMSHAFT ASSY	1
60	2630100404	PIN FLYING BLOCK	2
61	25005000101	PIVOT ROCKER ARM	2
62	25005000102	NUT PIVOT ADJUSTING	2
63	2630100181	BOLT FLANGE 6*25	2
64	25302000100	COIL ASSY IGNITION	1
65	2630100406	PIN DOWER	2
66	2630100256	BOLT FLANGE 8*55	4
67	26005000100	SPACER COMP AIR CLEANER	1
68	25501000601	CHOKE HANDLE	1
69	255010080000-01	CARBURETOR	1
70	26004000100	PACKING CABURETOR	1
71	25502000100	INSULATOR, CARBURETOR	1
72	26002000100	PACKING INSUL ATOR	1
73	2630100051	BOLT STUD IN	2
74	2630100365	WASHER,φ8	2
75	/	COVER COMP HEAD	1
76	26009000100	PACKING HEAD COVER	1
77	25009001300	RATATOR VALVE	1

78	25009000200	SEAL GUIDE	1
79	25009000300	RETAINER VALVE SPRING	1
80	25009000100	SPRING VALVE	2
81	25306000200	PLUG SPARK	1
82	25001002500	HEAD COMP CYLINDER	1
83	/	GASKET CYLINDER	1
84	25003000100	VALVE IN	1
85	2630100270	NUT HEX 8MM	2
86	2630100182	BOLT, M6*28	1
87	2630100175	BOLT, M6*16	2
88	2630100497	WASHER DRAIN PLUG	2
89	26201000100	WIRE CLIP	1
90	25010000100	SEAL GUIDE	1
91	/	PING	1
92	26201000600		1